

1997 Del Sol Online Reference Owner's Manual

Use these links (and links throughout this manual) to navigate through this reference.
For a printed owner's manual, click on authorized manuals or go to www.helminc.com.

Contents

Owner's Identification Form

Introduction	i
A Few Words About Safety	ii
Driver and Passenger Safety	3
Proper use and care of your vehicle's seat belts, and Supplemental Restraint System.	
Instruments and Controls	29
Instrument panel indicator and gauge, and how to use dashboard and steering column controls.	
Comfort and Convenience Features	67
How to operate the climate control system, the audio system, and other convenience features.	
Before Driving	89
What gasoline to use, how to break-in your new vehicle, and how to load luggage and other cargo.	
Driving	99
The proper way to start the engine, shift the transmission, and park, plus towing a trailer.	
Maintenance	117
The Maintenance Schedule shows you when you need to take your vehicle to the dealer.	
Appearance Care	169
Tips on cleaning and protecting your vehicle. Things to look for if your vehicle ever needs body repairs.	
Taking Care of the Unexpected	175
This section covers several problems motorists sometimes experience, and how to handle them.	
Technical Information	197
ID numbers, dimensions, capacities, and technical information.	
Warranty and Customer Relations (U.S. and Canada)	209
A summary of the warranties covering your new Acura, and how to contact us.	
Authorized Manuals (U.S. only)	215
How to order manuals and other technical literature.	
Index	I

Gas Station Information

A summary of information you need when you pull up to the fuel pump.

Congratulations ! Your selection of a 1997 Honda del Sol was a wise investment. It will give you years of driving pleasure.

One of the best ways to enhance the enjoyment of your new Honda is to read this manual. In it, you will learn how to operate its driving controls and convenience items. Afterwards, keep this owner's manual in your vehicle so you can refer to it at any time.

Several warranties protect your new Honda. Read the warranty booklet thoroughly so you understand the coverages and are aware of your rights and responsibilities.

Maintaining your vehicle according to the schedules given in this manual helps to keep your driving trouble-free while it preserves your investment. When your vehicle needs maintenance, keep in mind that your Honda dealer's staff is specially trained in servicing the many systems unique to your Honda. Your Honda dealer is dedicated to your satisfaction and will be pleased to answer any questions and concerns.

As you read this manual, you will find information that is preceded by a **NOTICE** symbol. This information is intended to help you avoid damage to your Honda, other property, or the environment.

A Few Words About Safety


Your safety, and the safety of others, is very important. And operating this vehicle safely is an important responsibility.

To help you make informed decisions about safety, we have provided operating procedures and other information on labels and in this manual.

This information alerts you to potential hazards that could hurt you or others.

Of course, it is not practical or possible to warn you about all the hazards associated with operating or maintaining your vehicle. You must use your own good judgement.

You will find this important safety information in a variety of forms, including:

- **Safety Labels** — on the vehicle.
- **Safety Messages** — preceded by a safety alert symbol  and one of three signal words: **DANGER**, **WARNING**, or **CAUTION**.
These signal words mean:

 **DANGER**

You WILL be KILLED or SERIOUSLY HURT if you do not follow instructions.

 **WARNING**

You CAN be KILLED or SERIOUSLY HURT if you do not follow instructions.

 **CAUTION**

You CAN be HURT if you do not follow instructions.

- **Safety Headings** — such as Important Safety Reminders or Important Safety Precautions.
- **Safety Section** — such as Driver and Passenger Safety.
- **Instructions** — how to use this vehicle correctly and safely.

This entire book is filled with important safety information — please read it carefully.

This section gives you important information about occupant protection. It shows how to use seat belts properly. It explains the Supplemental Restraint System. And it gives useful information about how to protect infants and children in your car.

- Your Occupant Protection System.. 4
- The Seat Belt System
 - and How It Works..... 5
 - Why Wear Seat Belts..... 5
 - Important Safety Reminders..... 5
 - Seat Belt System Components..... 6
 - Lap/Shoulder Belt..... 6
 - Wearing Seat Belts Properly..... 7
 - Wearing a Lap/Shoulder Belt..... 7
 - Advice for Pregnant Women..... 9
 - Seat Belt Maintenance..... 9
- Supplemental Restraint System..... 10
 - SRS Components..... 10
 - What Happens In a Crash..... 10
 - Important Facts About Airbags..... 11
 - How the Driver's Airbag Works.....12
 - How the Passenger's Airbag Works..... 13
 - How the SRS Indicator Light Works..... 14
 - System Service.....14
 - System Service Precautions..... 15
- Additional Safety Information..... 16
 - Seat-back Position..... 16

- Door Locks..... 16
- Storing Cargo Safely..... 17
- Driving with Pets..... 17
- Child Safety..... 18
 - Where Should Children Sit?..... 18
 - Important Safety Reminders..... 19
 - General Guidelines for Restraining Children
 - Under 40 lbs (18 kg)..... 19
 - Restraining an Infant Who Weighs Less Than 20 lbs (9 kg)..... 20
 - Restraining a Child Who Weighs Between 20 and 40 lbs (9 and 18 kg)..... 20
 - Restraining a Child Who Weighs Over 40 lbs (18 kg)..... 21
 - Securing a Child Seat with a Lap/Shoulder Belt..... 22
 - Using Child Restraints with Tethers..... 23
 - Storing a Child Seat..... 24
- Alcohol and Drugs..... 25
- Carbon Monoxide Hazard..... 26
- Safety Labels..... 27

Your Occupant Protection System

Your Honda is equipped with seat belts and other features that work together to protect you and your passenger during a crash.

Seat belts are the most important part of your occupant protection system. When worn properly, seat belts can reduce the chance of serious injury or death in a crash.

For added protection during a severe frontal collision, your del Sol has a Supplemental Restraint System (SRS) with airbags for the driver and the passenger.

Two indicator lights are also part of your safety system. One reminds you to make sure you and your passenger wear your seat belts. The other alerts you to a possible problem with your supplemental restraint system (see page 14).

The seats, head restraints and door locks also play a role in occupant safety. For example, reclining the seat-back can decrease the effectiveness of your seat belt. Head restraints can help protect your neck and head, especially during rear-end impacts. Door locks help keep your doors from being accidentally opened during a crash.

To get the maximum protection from your occupant protection system, check the following before you drive away:

- Everyone in the car is wearing a seat belt properly (see page 7).
- A child is properly secured in a child safety seat (see page 18).
- Both doors are closed and locked (see page 16).
- Seat-backs are upright (see page 16).
- There are no loose items that could be thrown around and hurt someone during a crash or sudden stop (see page 17).

By following these guidelines, you can reduce injuries to yourself and your passenger in many crash situations. Remember, however, that no safety system can prevent all injuries or deaths that can occur in severe crashes.

The Seat Belt System and How It Works

Why Wear Seat Belts

Wearing seat belts, and wearing them properly, is fundamental to your safety and the safety of your passenger.

During a crash or emergency stop, seat belts can help keep you from being thrown against the inside of the car, against your passenger, or out of the car.

Of course, seat belts cannot completely protect you in every crash. But, in most cases, seat belts reduce your chance of serious injury. They can even save your life. That is why many states and all Canadian provinces require you to wear seat belts.

WARNING

Not wearing a seat belt properly increases the chance of serious injury or death in a crash.

Be sure you and your passengers always wear seat belts and wear them properly.

Important Safety Reminders

Seat belts are designed for adults and larger children. Small children must be properly restrained in child safety seats (see page [18](#)).

A pregnant woman needs to wear a seat belt to protect herself and her unborn child (see page [9](#)).

Two people should never use the same seat belt. If they do, they could be very seriously injured in a crash.

Do not place the shoulder portion of a lap/shoulder belt under your arm or behind your back. This could increase the chance of serious injuries in a crash.

Do not put shoulder belt pads or other accessories on seat belts. They can reduce the effectiveness of the belts and increase the chance of injury.

The Seat Belt System and How It Works

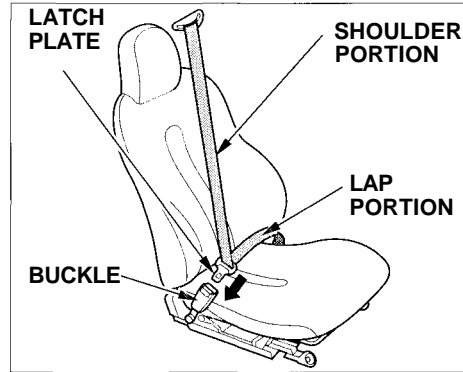
Seat Belt System Components

Your Honda has lap/shoulder seat belts for the driver and the passenger.

Your seat belt system also includes a light on the instrument panel to remind you to fasten your seat belt, and to make sure your passenger fastens his. This light comes on when you turn on the ignition if you have not fastened your seat belt. A beeper also sounds for several seconds (see page 32).

The following pages cover more about the seat belt components and how they work.

Lap/Shoulder Belt



This style of seat belt has a single belt that goes over your shoulder, across your chest, and across your hips.

Each lap/shoulder belt has an emergency locking retractor. In normal driving, the retractor lets you move freely in your seat while it keeps some tension on the belt. During a collision or sudden stop, the retractor automatically locks the belt to help restrain your body.

The lap/shoulder belt retractor in the passenger seating position has an additional locking mechanism intended to secure a child seat (see page 22). If the shoulder part of the belt is pulled all the way out, this mechanism will engage. The belt will retract, but it will not allow the passenger to move freely. If the belt feels too tight, unlatch it, let it retract fully, then pull it out as far as needed.

The Seat Belt System and How It Works

Wearing Seat Belts Properly

You can increase the effectiveness of your seat belts if you take a little time to read the following pages and make sure you know how to wear seat belts properly.

WARNING

Not wearing a seat belt properly increases the chance of serious injury or death in a crash.

Be sure you and your passenger always wear seat belts and wear them properly.

Wearing a Lap/Shoulder Belt

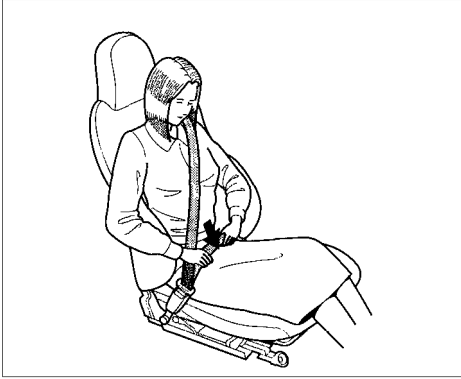
Before putting on the seat belt, move the driver's seat as far back as is practical while still allowing you to maintain full control of the vehicle. Make sure the seat-back is upright (see page 16). The passenger should move the seat as far back as possible.



1. Pull the latch plate across your body and insert it into the buckle. Tug on the belt to make sure the latch is securely locked.

CONTINUED

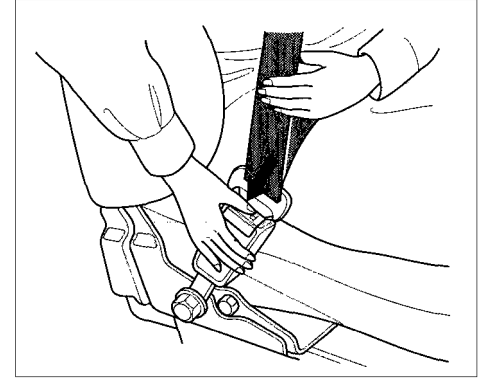
The Seat Belt System and How It Works



2. Check that the belt is not twisted.
3. Position the lap portion of the belt as low as possible across your hips, not across your stomach. This lets your strong pelvic bones take the force of a crash.



4. Pull up on the shoulder part of the belt to remove any slack. Make sure the belt goes over your collarbone and across your chest.

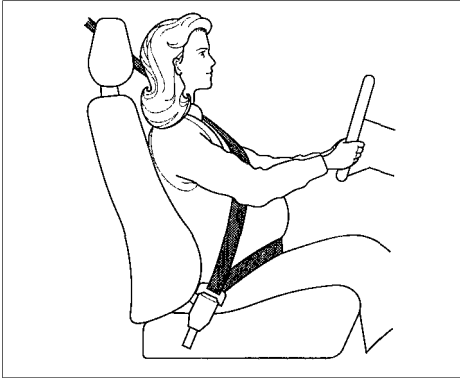


To unlatch the seat belt, push the red PRESS button on the buckle. Guide the belt across your body to the door pillar.

After you exit the vehicle, make sure the seat belt is out of the way and will not get closed in the door.

The Seat Belt System and How It Works

Advice for Pregnant Women



Protecting the mother is the best way to protect her unborn child. Therefore, a pregnant woman should wear a properly-positioned seat belt whenever she drives or rides in a car.

When using the seat belt, remember to keep the lap portion as low as possible (see page [7](#)).

Each time you have a check-up, ask your doctor if it's okay for you to drive and how you should position a lap/shoulder seat belt.

Seat Belt Maintenance

For safety, you should check the condition of your seat belts regularly.

Pull out each belt fully and look for frays, cuts, burns, and wear. Check that the latches work smoothly and the lap/shoulder belts retract easily. Any belt not in good condition or not working properly should be replaced.

If a seat belt is worn during a crash, have your dealer replace the belt and inspect the anchors for damage.

For information on how to clean your seat belts, see page [172](#).

Supplemental Restraint System

Your car is equipped with a Supplemental Restraint System (SRS) to help protect the head and chest of the driver and passenger during a severe frontal collision.

This system does not replace your seat belts. It supplements, or adds to, the protection offered by seat belts and other occupant protection features.

WARNING

Not wearing a seat belt properly increases the chance of serious injury or death in a crash, even if you have airbags.

Be sure you and your passenger always wear seat belts and wear them properly.

SRS Components

Your supplemental restraint system includes:

- One airbag in the steering wheel for the driver and another in the dashboard for the passenger.
- Sensors that can detect a severe frontal collision.
- A sophisticated electronic system that continually monitors the sensors, control unit, airbag activators, and all related wiring when the ignition is ON (II).
- An indicator light on the instrument panel to alert you to a possible problem with the system.
- Emergency backup power in case your car's electrical system is disconnected in a crash.

What Happens In a Crash

If you ever have a severe frontal collision, the sensors will detect rapid deceleration and signal the control unit to instantly inflate the airbags.

During a crash, your seat belts will help to restrain your lower body and torso. The airbags will provide a cushion to absorb crash energy and help keep the head and chest of the driver and passenger from striking the interior of the car.

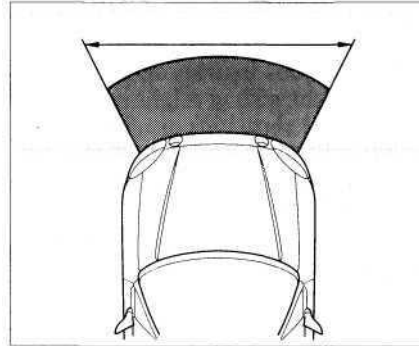
After inflating, the airbags will immediately deflate. The entire process, from detection to deflation, takes a fraction of a second. This process occurs so quickly that you may not hear the loud noise created by the airbag inflators, or realize what has happened.

After the crash, you may see what looks like smoke. This is actually powder from the airbag's surface. People with respiratory problems may experience some temporary discomfort from the chemicals used by the airbag's activators.

Important Facts About Airbags

Airbags inflate only when needed; **in a severe frontal collision**. A severe collision would be similar to a crash into a parked vehicle of similar size and weight at 25 mph (40 km/h). Airbags will not inflate in a moderate frontal collision, or during a rear impact, side impact, or rollover even if the impact is severe.

Frontal Collision Range



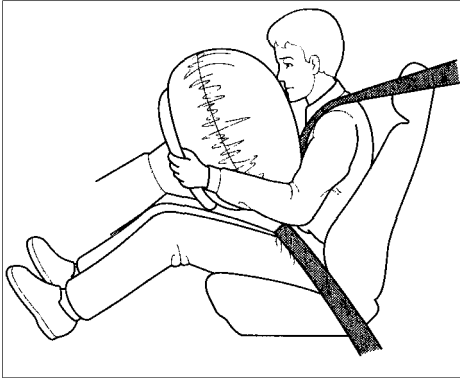
Airbags inflate and deflate only once. They cannot protect you during any additional impacts that can occur during a crash sequence.

Injuries, including fatal injuries, can occur in a severe collision, even if seat belts are worn properly and the airbags inflate. No safety system can provide complete protection in a severe crash.

Just from viewing the vehicle damage after a crash, it is very difficult to accurately determine if the airbags should or should not have inflated. In some cases where the airbag did not inflate, extensive visible damage indicated that the car absorbed much of the crash energy, and the airbags were not needed. In other cases, a severe jolt, such as an impact to the undercarriage, may not cause extensive body damage but may still cause the airbags to inflate.

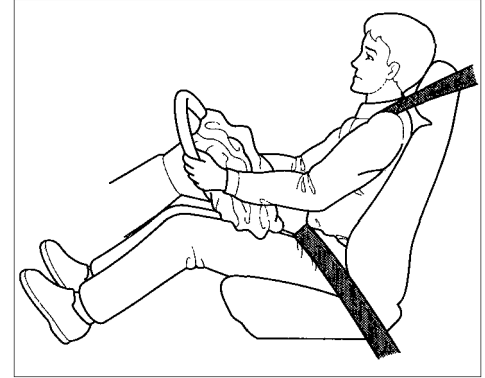
Supplemental Restraint System

How the Driver's Airbag Works



If you ever have a severe frontal collision, your airbag will instantly inflate to help protect your head and chest.

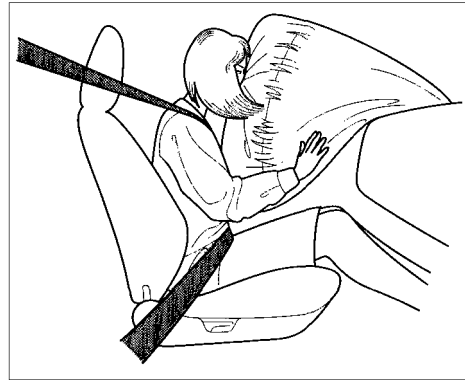
To do its job, the airbag inflates with considerable force. So, while it can reduce serious injuries and even save your life, the airbag might cause some facial abrasions or other injuries. To reduce the possibility of injury, you should always sit back as far from the steering wheel as practical while still maintaining full vehicle control.



After the bag completely inflates, it immediately starts deflating so it won't interfere with your visibility, ability to steer, or ability to operate other controls. The total time for inflation and deflation is a fraction of a second. You may not even be aware that the airbag has been fully inflated.

The driver's airbag is stored in the center of the steering wheel. For your safety, do not attach any items to the steering wheel. They could interfere with the proper operation of the airbag. Or, if the airbag inflates, they could be propelled inside the car and hurt someone.

How the Passenger's Airbag Works



If you ever have a severe frontal collision, the passenger's airbag will inflate at the same time as the driver's airbag.

This airbag is quite large and inflates with considerable force. It can seriously hurt a passenger who is not in the proper position and wearing the seat belt properly. The passenger should move the seat as far back as practical and sit well back in the seat.

We strongly recommend that you do not put an infant seat in the passenger's seat. If the airbag inflates, it can hit the infant seat with great force. The infant seat can be dislodged or struck with enough force to cause very serious injury to the infant.

When a toddler seat is used in the passenger's seat, the vehicle seat should be moved as far back as possible. If the passenger's bag inflates, it could seriously hurt a toddler who is not in the proper position or properly restrained.

CONTINUED

Supplemental Restraint System

The passenger's airbag is stored near the top of the dashboard, under a lid marked SRS. Do not place any objects on top of this lid. If the airbag inflates, those objects can be propelled inside the car and possibly hurt someone.

SRS

How the SRS Indicator Light Works

The purpose of the SRS light on your instrument panel is to alert you to a potential problem with your supplemental restraint system.

Have the system checked if:

- The light does not come on when you turn the ignition ON (II).
- The light stays on after the engine starts.
- The light comes on or flashes while you are driving.

If you see any of these indications, the airbag may not work when needed in an accident. Take the car to your dealer promptly for diagnosis and service.

System Service

Your supplemental restraint system is virtually maintenance-free. The only scheduled maintenance is an inspection of the system by the dealer when the car is ten years old. For your convenience, the car's production date is on a label on the driver's doorjamb.

If either of the following happens, you must have an authorized Honda dealer service the system. There are no parts you can safely service.

- If your airbags ever inflate, the airbags and control unit must be replaced. Do not try to remove or discard the airbags yourself. This must be done by a Honda dealer.

- If the SRS indicator light alerts you to a problem, have the supplemental restraint system inspected as soon as possible. If you ignore this indication, the airbags might not inflate when you need them.

System Service Precautions

Do not modify your steering wheel or any other part of the supplemental restraint system. Modifications could make the system ineffective.

Do not tamper with the system's components or wiring. This could cause the airbags to inflate inadvertently, possibly injuring someone very seriously.

Tell anyone who works on your car that you have a supplemental restraint system. Failure to follow the procedures and precautions in the official Honda service manual could result in personal injury or damage to the system.

Scrapping an entire car that has uninflated airbags can be dangerous. Get assistance from a Honda dealer if your car must be scrapped.

If you sell your car, please be sure to tell the new owner that the car has a supplemental restraint system. Alert them to the information and precautions in this part of the owner's manual.

Additional Safety Information

The seat belts and airbags are obviously important parts of your occupant protection system.

In addition, you should know that sitting upright, locking the doors, and stowing things properly can also increase your safety and possibly even save your life.

Seat-back Position

The seat-backs should be in an upright position for you and your passenger to get the most protection from the seat belts.

If you recline a seat-back, you reduce the protective capability of your seat belt. The farther a seat-back is reclined, the greater the risk that you will slide under the belt in a severe crash and be very seriously injured.

For information on how to adjust the seat-back, see page [50](#).

Door Locks

It is not safe to leave your car doors unlocked. A passenger, especially a child, could open a door and accidentally fall out. Also, there is a greater chance of being thrown out of the car during a crash when the doors are not locked.

Storing Cargo Safely

Before you drive, make sure you first securely store or tie down any items that could be thrown around the car and hurt someone, or interfere with your ability to operate the controls.

Be sure to keep compartment doors closed when the car is moving. If a passenger hits the door of an open glove box, for example, he could injure his knees.

For information on loading cargo, see page [98](#) .

Driving with Pets

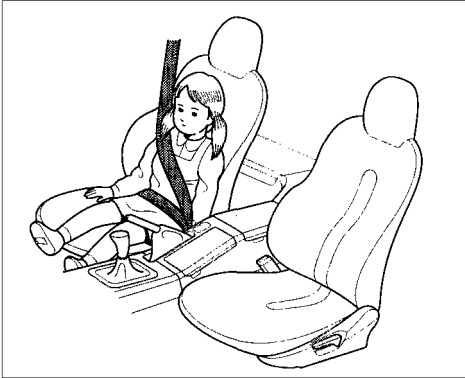
Loose pets can be a hazard while you are driving. An unrestrained pet can interfere with your ability to drive the car. In a crash or sudden stop, loose pets or cages can be thrown around inside the car and hurt you. It is also for their safety that pets should be properly restrained in your car.

The recommended way to restrain a medium-sized or larger dog is with a special traveling harness. This harness can be secured to the seat with a seat belt. Travel harnesses are available at pet stores.

A small dog, cat, or other small animal will be safest in a pet carrier with rigid sides. Choose a style that allows you to secure it to the car's seat by routing a seat belt through the carrier's handle.

For further information, contact your veterinarian or local animal protection society.

Child Safety



Children depend on adults to protect them. To help make sure we do, every state and Canadian province has laws requiring infants and young children to be properly restrained whenever they ride in a car.

⚠ WARNING

An infant or child who is not properly restrained can be killed or seriously injured in a crash.

Be sure any child too small for seat belts is properly secured in a child restraint.

Where Should Children Sit?

We strongly recommend that you do not put an infant seat in the passenger's seat. If the airbag inflates, it can hit the infant seat with great force. The infant seat can be dislodged or struck with enough force to cause very serious injury to the infant.

We recommend that you secure your child's toddler seat in the passenger's seat with the car's lap/shoulder belt. To secure the seat with the lap/shoulder belt, be sure to follow the instructions on page 22. The vehicle seat should be moved as far back as possible. If the passenger's bag inflates, it could seriously hurt a toddler who is not in the proper position or properly restrained.

We also recommend that a child who has outgrown a toddler seat be protected by properly wearing the lap/shoulder belt (see page 7). You should move the seat as far back as practical and have the child sit well back in the seat.

If the child is not large enough to wear the lap/shoulder belt properly, you should use a booster seat.

Important Safety Reminders

Never hold a baby or child on your lap when riding in a car. If you are wearing your seat belt, the violent forces created during a crash will tear the child from your arms. The child could be seriously hurt or killed.

If you are holding a child and not wearing a seat belt in a crash, you could crush the child against the car's interior.

Never put your seat belt over yourself and a child. During a crash, the belt could press deep into the child, causing serious internal injuries.

Two children should never use the same seat belt. If they do, they could be very seriously injured in a crash.

For their safety, do not leave children alone in your car without adult supervision.

General Guidelines for Restraining Children Under 40 lbs (18 kg)

Use an approved child seat. The seat must meet Federal Motor Vehicle Safety Standard 213 (FMVSS-213) or Canadian Motor Vehicle Safety Standards. Look for the manufacturer's statement of compliance on the box and seat.

Use a seat of the right size. Make sure the seat fits your child. Check the seat manufacturer's instructions and labels for height and weight limits.

Secure the child seat to the car. All approved child seats are designed to be secured to the car seat by the lap belt portion of a lap/shoulder belt. A child whose seat is not properly secured to the car can be endangered in a crash.

To properly route a seat belt through a child seat, follow the seat-maker's instructions. Be sure to follow the instructions for securing a child seat with a lap/shoulder belt on page 22 .

Secure the child in the child seat. Make sure the child is firmly secured to the child seat. Use the straps provided, and carefully follow the manufacturer's instructions.

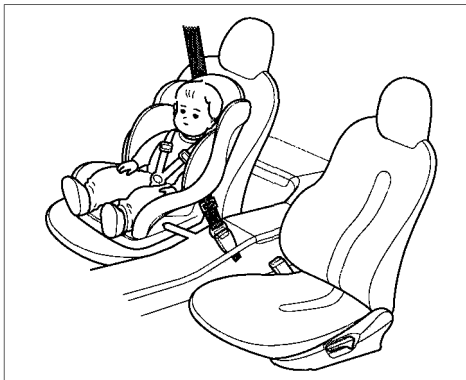
Child Safety

Restraining an Infant Who Weighs Less Than 20 lbs (9kg)

We strongly recommend that you do not put an infant seat in the passenger's seat. If the airbag inflates, it can hit the infant seat with great force. The infant seat can be dislodged or struck with enough force to cause very serious injury to the infant.

Until a child is large enough to be safely secured in a toddler seat, we urge you to use a different car whenever you need to drive with an infant.

Restraining a Child Who Weighs Between 20 and 40 lbs (9 and 18 kg)



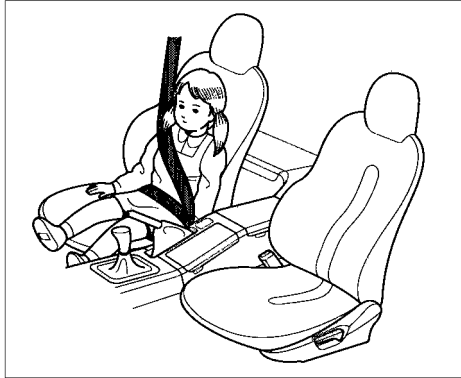
Toddler seats are designed for children who weigh between 20 and 40 lbs (9 and 18 kg).

We recommend that you secure your child's toddler seat in the passenger's seat with the car's lap/shoulder belt. Be sure to follow the instructions for securing a child seat with a lap/shoulder belt on page 22 . Move the passenger's seat, as far back as possible before installing the child seat. If the passenger's bag inflates, it could seriously hurt a toddler who is not in the proper position or properly restrained.

Restraining a Child Who Weighs Over 40 lbs (18 kg)

We recommend that a child who has outgrown a toddler seat be protected by properly wearing the lap/shoulder belt.

You should move the vehicle seat as far back as practical and have the child sit well back in the seat.



Put the lap/shoulder belt on your child and check its fit. The shoulder belt should fit over the collarbone and across the chest. The lap belt should sit low on your child's hips, not across the stomach.

If the shoulder belt crosses the neck, you should use a booster seat.

Several styles of booster seats are available. We recommend a design that allows the child to use the car's lap/shoulder belt.

Whichever style you select, follow the booster seat manufacturer's instructions.

Child Safety

Securing a Child Seat with a Lap/Shoulder Belt

The lap/shoulder belt retractor in the passenger seating position has a built-in locking mechanism intended to secure a child seat. When you are placing a child seat in the passenger's seat, do the following:

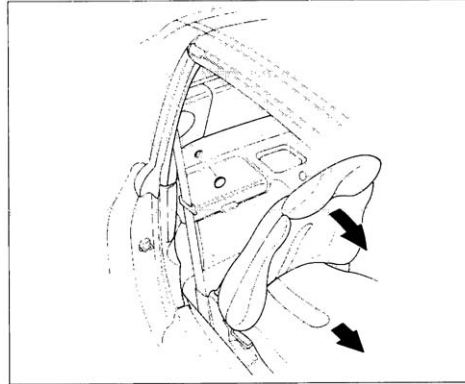
1. Place the child restraint in the passenger's seat. Route the lap/shoulder belt through the seat according to the seat manufacturer's instructions.
2. Insert the latch plate into the buckle. Make sure it is fully latched.

3. Slowly pull the shoulder portion of the belt out of the retractor until it stops.
4. Allow the belt to slowly feed back into the retractor. You should hear a clicking noise that indicates the locking mechanism has engaged.
5. After the belt has retracted fully, pull up on the shoulder portion to remove any slack.
6. Push and pull on the child seat to verify that it is held firmly in place. If not, unlatch the seat belt, allow it to retract fully, and repeat these steps.

To unlatch the seat belt, push the red PRESS button on the buckle. Guide the belt across to the door pillar. If the belt doesn't retract easily, pull it out and check for twists or kinks.

Using Child Restraints with Tethers

Your Honda is equipped with an attachment point for a child restraint system that uses a top tether. The tether attachment point is located on the panel behind the passenger's seat-back.



1. Adjust the passenger's seat fully forward to make room behind the seat-back.
2. Remove the plug with a small flat-tipped screw driver or fingernail file.
3. Install the tether hardware that came with the child seat.
Tighten the bolt to:
16 lbf·ft (2.2 kgf·m, 22 N·m)

Make sure to route the tether through the space between the head restraint and seat.

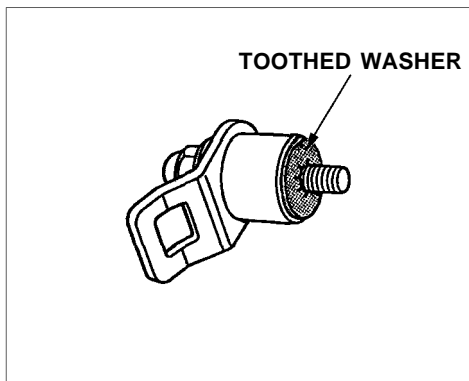
If you are not sure how to install the hardware, have it installed by your authorized Honda dealer.

If you need an anchor plate and mounting hardware, contact your Honda dealer.

CONTINUED

Child Safety

Canadian Cars



The anchor plate and mounting hardware for a top tether are supplied with the car. When installing, make sure the toothed washer is on the bottom of the bolt.

The supplied anchor plate is designed only for mounting a child restraint. Do not use it for any other purpose.

Storing a Child Seat

When you are not using a child restraint, either remove it or make sure it is properly secured so it cannot be thrown around the car during a crash.

Driving a car requires your full attention and alertness. Traffic conditions change rapidly. You must be able to react just as rapidly. Alcohol or drugs directly affect your alertness and ability to react. Even prescription and non-prescription medicines can have this effect.

There are laws that deal with drunken driving. These laws define how much alcohol it takes in your system to be legally "drunk." However, your judgment and reaction time get worse with every drink—even the first one.

The safest thing you can do is never drink and drive. This can be done if you plan ahead. If you know you are going to be drinking, make plans to ride with a friend who will not be drinking.

What if you find that you've been drinking and cannot get a ride from a friend? Find alternative transportation. Call a taxi. Take a bus. Many communities have transportation services devoted to shuttling people who have been drinking.

If you have no choice but to drive, stop drinking and give yourself lots of time to sober up. Time is the only thing that can make you sober. Things like coffee or a cold shower don't speed up the process.

If you see friends trying to get behind the wheel after drinking, stop them. Drive them yourself or arrange other transportation. If you think you are interfering, remember that your interference will keep them from sharing the road with you.

Carbon Monoxide Hazard

Your car's exhaust contains carbon monoxide gas. You should have no problem with carbon monoxide entering the car in normal driving if you maintain your car properly. Have the exhaust system inspected for leaks whenever:

- The car is raised for an oil change.
- You notice a change in the sound of the exhaust.
- The car was in an accident that may have damaged the underside.

WARNING

Carbon monoxide gas is toxic. Breathing it can cause unconsciousness and even kill you.

Avoid any enclosed areas or activities that expose you to carbon monoxide.

High levels of carbon monoxide can collect rapidly in enclosed areas, such as a garage. Do not run the engine with the garage door closed. Even with the door open, run the engine only long enough to move the car out of the garage.

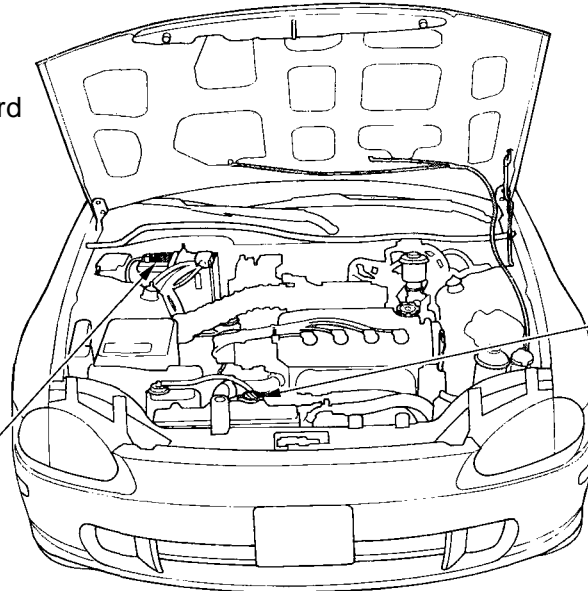
With the trunk lid open, air flow can pull exhaust gas into your car's interior and create a hazardous condition. If you must drive with the trunk lid open, open all the windows and set the heating and cooling system as shown below.

If you must sit in your parked car, even in an unconfined area, with the engine running, adjust the heating and cooling system as follows:





1. Select the Fresh Air mode.
2. Select the  mode.
3. Turn the fan on high speed.
4. Set the temperature control to a comfortable setting.

These labels are in the locations shown. They warn you of potential hazards that could cause serious injury. Read these labels carefully and don't remove them.

If a label comes off or becomes hard to read, contact your Honda dealer for a replacement.



BATTERY

	⚠ DANGER
	EXPLOSIVE GASES Keep sparks, flame and cigarettes away. Provide adequate ventilation when charging or using batteries in an enclosed space.
	CHEMICAL HAZARD Contains sulfuric acid. Contact with skin, even through clothing, may cause severe burns. Wear a face shield and protective clothing. If electrolyte gets into your eyes, antiseize. Flush thoroughly with water for at least 15 minutes and call a physician immediately.
	POISON Antidote: EXTERNAL: Flush with water. INTERNAL: Drink large quantities of water or milk then follow with milk of magnesia or vegetable oil.
KEEP OUT OF REACH OF CHILDREN	

RADIATOR CAP



This section gives information about the controls and displays that contribute to the daily operation of your Honda. All the essential controls are within easy reach.

Control Locations.....	30	Power Door Locks.....	48
Indicator Lights.....	31	Trunk.....	48
Gauges.....	35	Rear Locking Compartment.....	50
Speedometer.....	35	Seat Adjustments.....	50
Tachometer.....	35	Power Windows.....	51
Odometer.....	35	Removable Roof Panel.....	53
Trip Meter.....	35	Removing and Storing.....	54
Fuel Gauge.....	36	Installing.....	55
Temperature Gauge.....	36	Protecting Against Leaks.....	57
Controls Near the Steering		Roof Holder.....	59
Wheel.....	37	Roof Unlatched Indicator.....	59
Headlights.....	38	Mirrors.....	60
Daytime Running Lights.....	38	Adjusting the Power Mirrors.....	60
Instrument Panel Brightness.....	39	Parking Brake.....	61
Turn Signals.....	39	Glove Box.....	61
Windshield Wipers.....	40	Digital Clock.....	62
Windshield Washers.....	40	Console Compartment.....	63
Hazard Warning.....	41	Beverage Holder.....	63
Rear Window Defogger.....	41	Sun Visor.....	64
Steering Wheel Adjustment.....	42	Cigarette Lighter.....	64
Steering Wheel Controls	43	Ashtray.....	64
Cruise Control.....	43	Interior Light.....	65
Keys and Locks.....	45		
Keys.....	45		
Ignition Switch.....	46		
Door Locks.....	47		

Control Locations

DIGITAL CLOCK
(P.62)

HEATING/COOLING
CONTROLS
(P.68)

AUDIO SYSTEM
(P.76)

DOOR LOCK
SWITCH
(P.48)

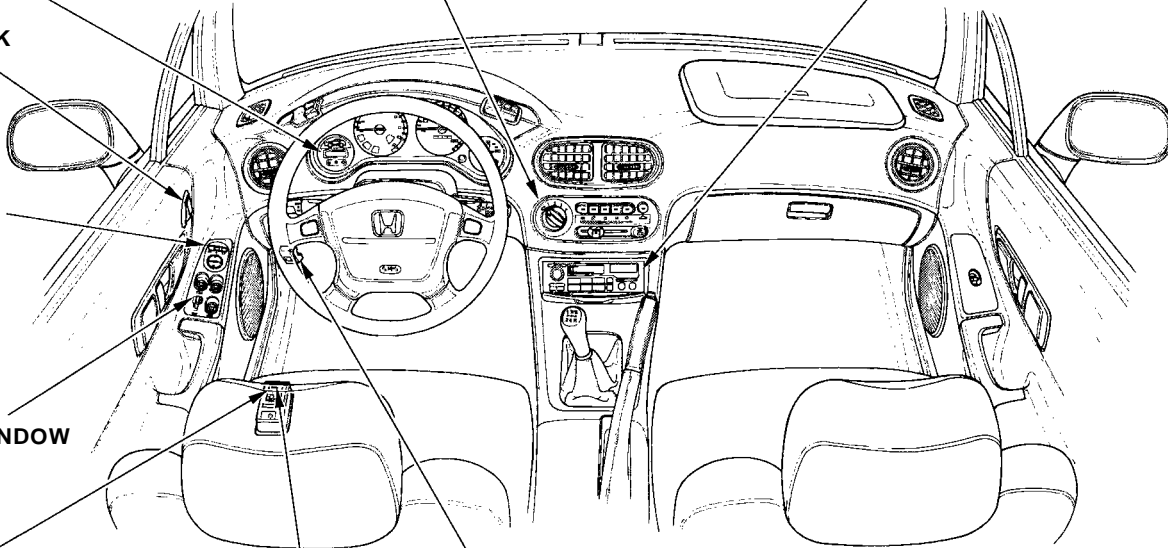
MIRROR
CONTROLS
(P.60)

POWER WINDOW
SWITCHES
(P.51)

FUEL FILL
DOOR RELEASE
(P.92)

TRUNK RELEASE
HANDLE
(P.49)

HOOD RELEASE
HANDLE
(P.93)



The instrument panel has many indicators to give you important information about your car.

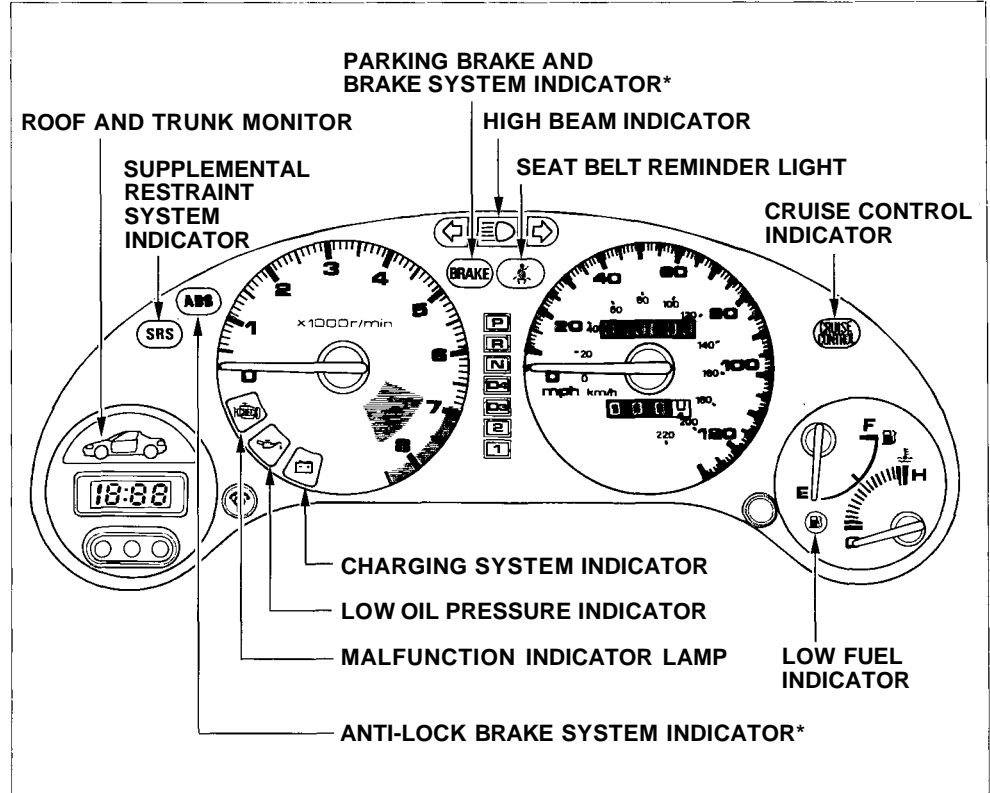
Lamp Check

These indicator lights come on when you turn the ignition switch ON (II), allowing you to see that they are working:

- SRS Indicator
- Malfunction Indicator Lamp
- Charging System Indicator
- Low Oil Pressure Indicator
- Anti-lock Brake System Indicator
- Seat Belt Reminder Light

If an indicator does not light during this test, it cannot alert you if that system develops a problem. Have the dealer check your car for burned-out bulbs or other problems.

* Differences in the indicators for Canadian models are noted in the text.



Indicator Lights



Seat Belt Reminder Light

This indicator lights when you turn the ignition ON (II). It is a reminder to you and your passenger to protect yourselves by fastening the seat belts. A beeper also sounds if you have not fastened your seat belt.

If you do not fasten your seat belt, the beeper will stop after a few seconds but the light stays on until you do. Both the light and the beeper stay off if you fasten your seat belt before turning on the ignition.



Charging System Indicator

If this light comes on when the engine is running, the battery is not being charged. For complete information, see page [189](#).



Low Oil Pressure Indicator

The engine can be severely damaged if this light flashes or stays on when the engine is running. For complete information, see page [188](#).



U.S.



Canada

Parking Brake and Brake System Indicator

This light has two functions:

1. It lights as a reminder that you have not released the parking brake. Driving with the parking brake applied can damage the brakes and tires, and cause the Anti-lock brake system to turn off (see page [111](#)).
2. If it remains lit after you release the parking brake, or comes on while driving, it can indicate that the brake fluid level is low. This is normally due to worn brake pads. Have your dealer check the braking system for worn pads or fluid leaks.

SRS Supplemental Restraint System Indicator

This indicator lights when you turn the ignition ON (II). If it comes on at any other time, it indicates a problem in the supplemental restraint system. For complete information, see page [14](#).

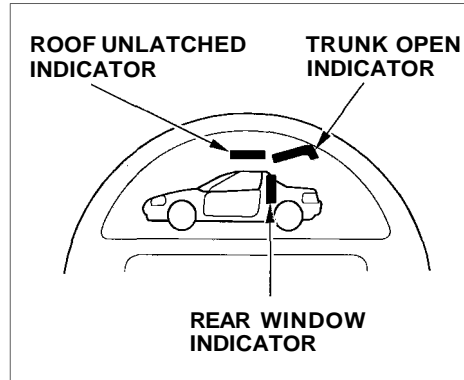
Malfunction Indicator Lamp

See page [190](#).

Low Fuel Indicator

This light comes on as a reminder that you must refuel soon.

Roof and Trunk Monitor



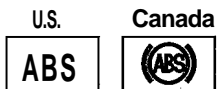
The roof and trunk monitor includes three indicators, the Roof Unlatched Indicator, the Trunk Open Indicator and the Rear Window Indicator.

Roof Unlatched Indicator: This indicator lights when you turn the ignition ON (II) if the roof panel is not fastened securely. Check both release levers to make sure they are locked. See page [57](#).

Trunk Open Indicator: This indicator lights when you turn the ignition ON (II) if the trunk is not closed completely. See page [48](#).

Rear Window Indicator: This indicator lights with the ignition ON (II) when the rear window is open.

Indicator Lights



Anti-lock Brake System (ABS) Indicator

Only on cars equipped with ABS (see page 111)

This light normally comes on when you turn the ignition ON (II) and goes off after the engine starts. If it comes on at any other time, there is a problem in the ABS. If this happens take the car to your dealer to have it checked. With the light on, your car still has normal braking ability but no anti-lock.



Turn Signal and Hazard Warning Indicators

The left or right turn signal light blinks when you signal a lane change or turn. If the light does not blink or blinks rapidly, it usually means one of the turn signal bulbs is burned out (see page 164). Replace the bulb as soon as possible, since other drivers cannot see that you are signalling.

When you turn on the *Hazard Warning* switch, both turn signal lights blink. All turn signals on the outside of the car should flash.



High Beam Indicator

This light comes on with the high beam headlights. See page 38 for information on the headlight controls.

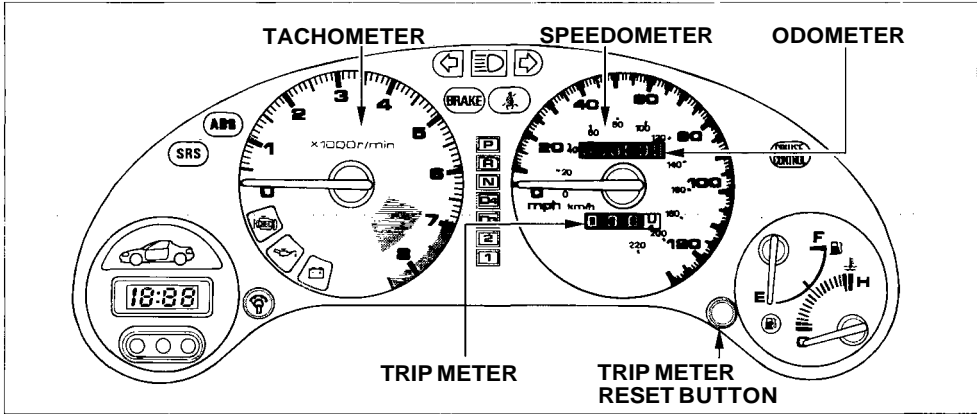
On Canadian models, this indicator comes on with reduced brightness when the Daytime Running Lights (DRL) are on (see page 38).



Cruise Control Indicator

Only on cars equipped with Cruise Control System

This lights when you set the cruise control. See page 43 for information on operating the cruise control.



Speedometer

U.S. Models

This shows your speed in miles per hour (mph). The smaller inner numbers are the speed in kilometers per hour (km/h).

Canadian Models

This shows your speed in kilometers per hour (km/h). The smaller inner numbers are the speed in miles per hour (mph).

Tachometer

The tachometer shows the engine speed in revolutions per minute (rpm). To protect the engine from damage, never drive with the tachometer needle in the red zone.

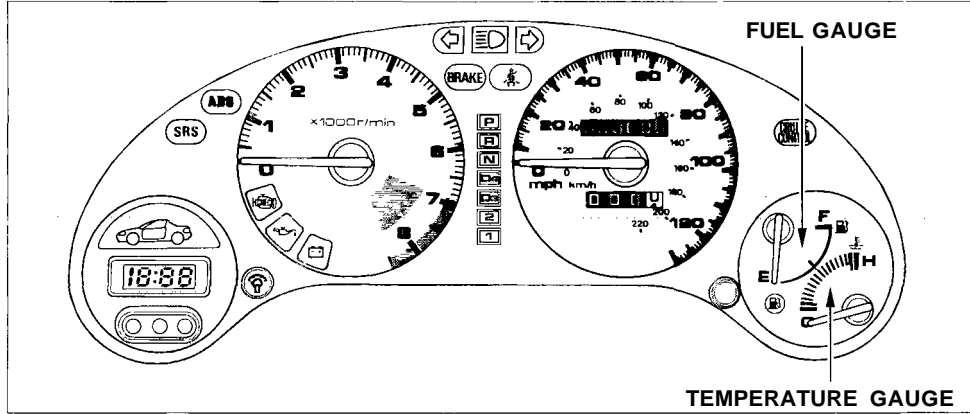
Odometer

The odometer shows the total distance your car has been driven. It measures miles in U.S. models and kilometers in Canadian models. It is illegal under federal law (in the U.S.) and provincial regulations (in Canada) to disconnect, reset, or alter the odometer with the intent to change the number of miles or kilometers indicated.

Trip Meter

This meter shows the number of miles (U.S.) or kilometers (Canada) driven since you last reset it. To reset it, push the trip meter button.

Gauges



Fuel Gauge

This shows how much fuel you have. It is most accurate when the car is on level ground. It may show slightly more or less than the actual amount when you are driving on curvy or hilly roads.

The gauge stays at the same fuel level reading after you turn off the ignition. When you add fuel, the gauge slowly changes to the new reading after you turn the ignition back ON (II).

Temperature Gauge

This shows the temperature of the engine's coolant. During normal operation, the pointer should rise from the bottom white mark to about the middle of the gauge. In severe driving conditions, such as very hot weather or a long period of uphill driving, the pointer may rise to near the upper white mark. If it reaches the red (Hot) mark, pull safely to the side of the road. Turn to page [186](#) for instructions and precautions on checking the engine's cooling system.

Controls Near the Steering Wheel

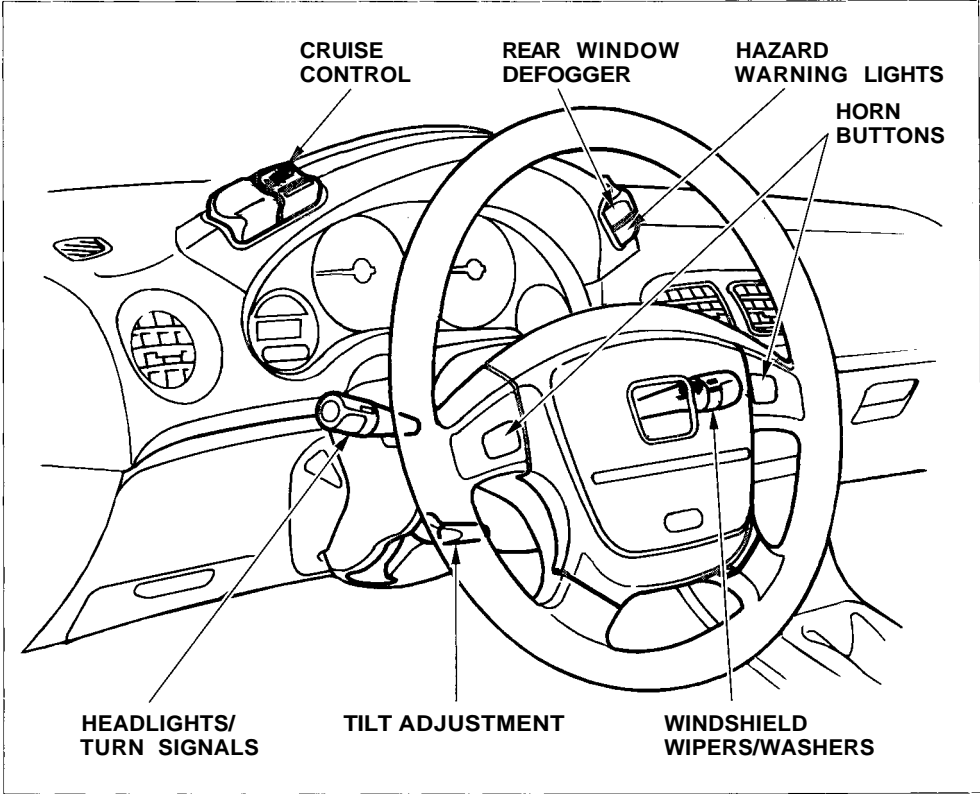
The two levers on the steering column contain controls for driving features you use most often. The left lever controls the turn signals, headlights, and high beams. The right lever controls the windshield washers and wipers.

The rear window defogger and hazard warning light switches are on the right edge of the dash above the instrument panel.

On the U.S. Si and VTEC models
There is cruise control switch on the left edge.

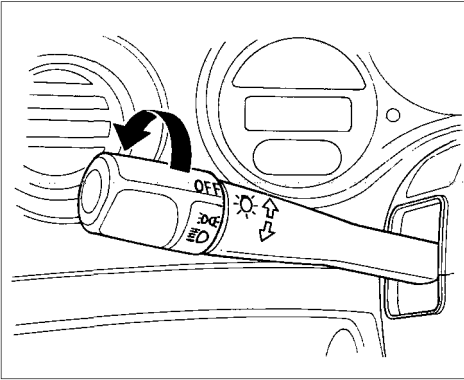
The instrument panel brightness control is on the instrument panel between the tachometer and the clock.

The tilt adjustment lever on the underside of the steering column allows you to tilt the steering wheel.



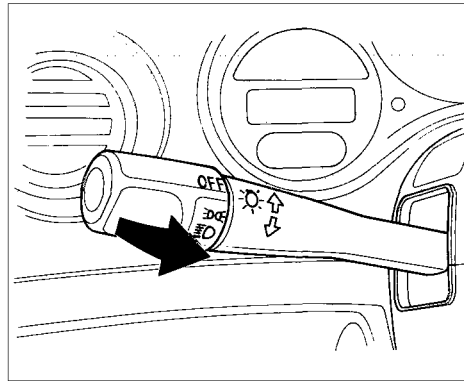
Controls Near the Steering Wheel

Headlights



The rotating switch on the left lever controls the lights. Turning this switch to the “☀” position turns on the parking lights, taillights, instrument panel lights, side-marker lights, and rear license plate lights. Turning the switch to the “☞” position turns on the headlights.

If you leave the lights on with the ignition switch in ACCESSORY (I) or LOCK (0), you will hear a reminder beeper when you open the driver's door.



To change between low beams and high beams, pull the turn signal lever until you hear a click, then let go. The blue high beam indicator will light (see page 34).

To flash the high beams, pull the turn signal lever back lightly, then release it. The high beams will come on and go off.

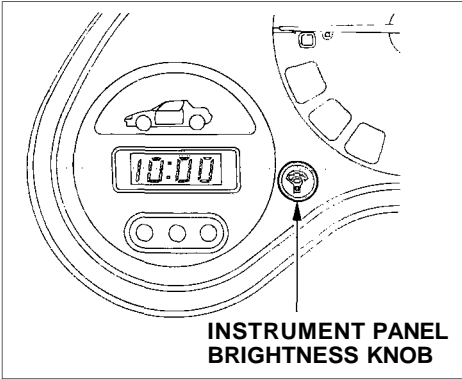
The high beams will stay on for as long as you hold the lever back, no matter what position the headlight switch is in.

Daytime Running Lights (Canadian Models)

With the headlight switch off, the high beam headlights come on with reduced brightness when you turn the ignition switch to ON (II) and release the parking brake. They remain on until you turn the ignition off, even if you set the parking brake.

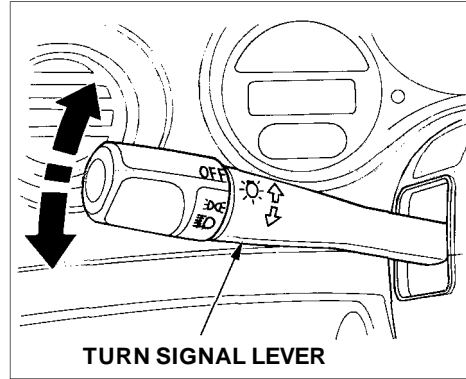
The headlights revert to normal operation when you turn them on with the switch.

Instrument Panel Brightness



The knob on the instrument panel controls the brightness of the instrument panel lights. Turn the knob to adjust the brightness.

Turn Signals

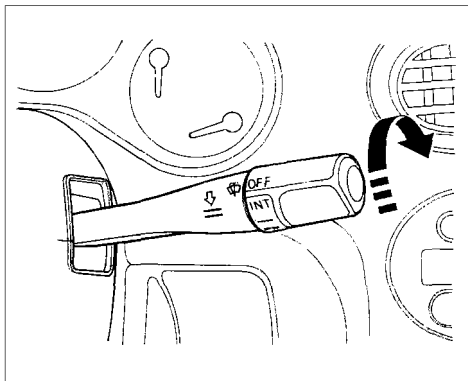


Signal a turn or lane change with this lever. Push down on the lever to signal a left turn, and up to signal a right turn. If you push it up or down all the way, the turn signal continues to blink even when you release the lever. It shuts off automatically as you complete the turn.

To signal a lane change, push lightly on the turn signal lever in the proper direction and hold it. The lever will return to the center position as soon as you release it.

Controls Near the Steering Wheel

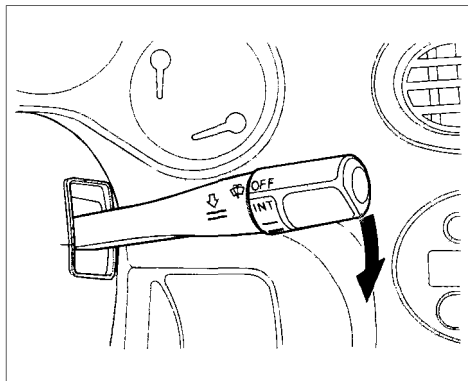
Windshield Wipers



The right lever controls the windshield wipers and washers. The rotary switch at the end of the lever has three positions:

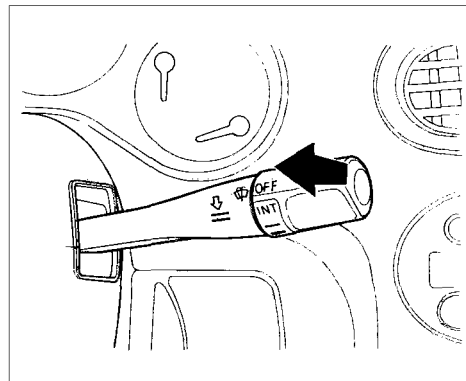
- INT: intermittent
- : low speed
- == : high speed

In intermittent, the wipers operate every few seconds. In low speed and high speed, the wipers run continuously.



To operate the wipers in mist mode, push the control lever down. The wipers run at high speed until you release the lever. This gives you a quick way to clear the windshield.

Windshield Washers

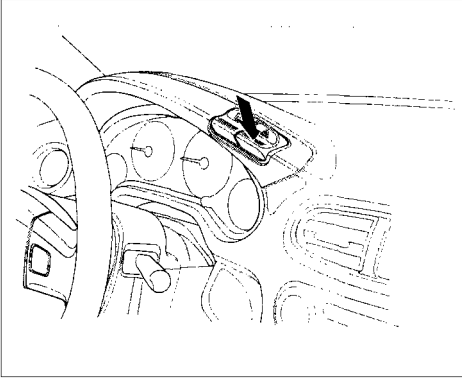


To clean the windshield, pull back on the wiper control lever. The washers spray until you release the lever.

On Canadian models

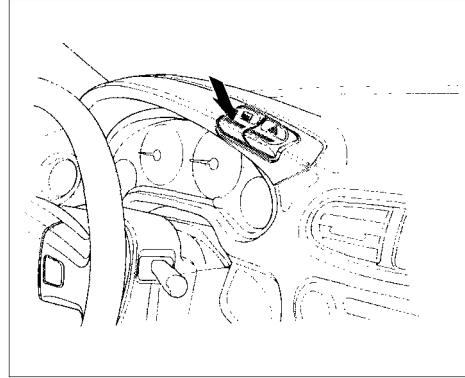
The wipers run at low speed while you're pulling the lever, then complete one more sweep of the windshield after you release it.

Hazard Warning



Push the red button on the dash above the instrument panel to turn on the hazard warning lights (four-way flashers). This causes all four outside turn signals and both indicators in the instrument panel to flash. Use the hazard warning lights if you need to park in a dangerous area near heavy traffic, or if your car is disabled.

Rear Window Defogger



The rear window defogger will clear fog, frost, and thin ice from the window. Push the defogger button to turn it on and off. The light in the button lights to show the defogger is on. If you do not turn it off, the defogger will shut itself off after about 25 minutes. It also shuts off when you turn off the ignition. You have to turn it on again when you restart the car.

Make sure the rear window is clear and you have good visibility before starting to drive.

The defogger wires on the inside of the rear window can be accidentally damaged. When cleaning the glass, always wipe side to side.

Controls Near the Steering Wheel

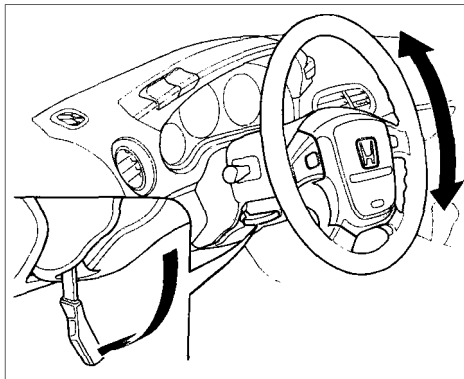
Steering Wheel Adjustment

You can adjust the steering wheel height to suit your preference. Do this before you begin driving.

WARNING

Adjusting the steering wheel position while driving may cause you to lose control of the car and be seriously injured in a crash.

Adjust the steering wheel only when the car is stopped.



1. Adjust the seat so you are a comfortable distance from the pedals and can operate them safely.
2. The lever to tilt the steering wheel is under the steering column to the left. Push this lever all the way down.

3. Move the steering wheel up or down to the desired position. Position the wheel so you can see all the instrument panel gauges and warning lights. Push the lever up to lock the steering wheel in that position.
4. Make sure you have securely locked the steering wheel in place by trying to move it up and down.

Cruise Control

On Si and VTEC models in the U.S., and VTEC model in Canada

Cruise control allows you to maintain a set speed above 25 mph (40 km/h) without keeping your foot on the accelerator pedal. It should be used for cruising on straight, open highways. It is not recommended for conditions such as city driving, winding roads, slippery roads, heavy rain, or bad weather. You should have full control of the car under those conditions.

WARNING

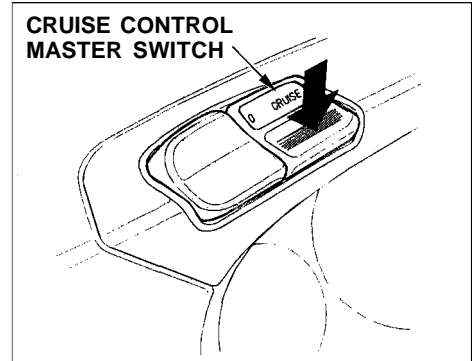
Improper use of the cruise control can lead to a crash.

Use the cruise control only when traveling on open highways in good weather.

NOTICE

The cruise control, as it operates, moves the accelerator pedal. You can damage your car's accelerator mechanism by resting your foot under the pedal and blocking the movement.

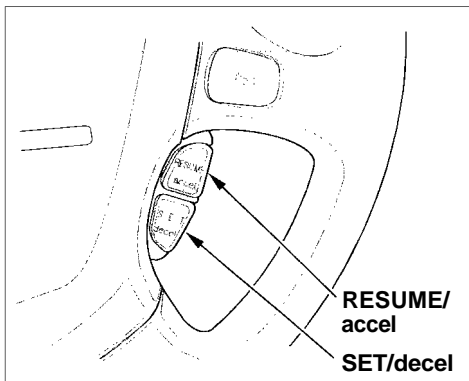
Using the Cruise Control



1. Push in the Cruise Control Master Switch. The indicator in the switch will light.
2. Accelerate to the desired cruising speed above 25 mph (40 km/h).

CONTINUED

Steering Wheel Controls



3. Press and hold the SET/decel button on the steering wheel until the CRUISE CONTROL light on the instrument panel comes on. This shows the system is now activated.

The set speed may vary slightly, particularly on hills.

Changing the Set Speed

You can increase the set cruising speed in either of two ways:

- Press and hold the RESUME/accel button. The car will accelerate slowly. When you reach the desired cruising speed, release the button.
- Push on the accelerator pedal. Accelerate to the desired cruising speed and press the SET/decel button.

You can decrease the set cruising speed in either of two ways:

- Press and hold the SET/decel button. The car will decelerate. Release the button when you reach the desired speed.
- Tap the brake or clutch pedal lightly with your foot. The CRUISE CONTROL light on the instrument panel will go out. When the car slows to the desired speed, press the SET/decel button. The car will then maintain the desired speed.

Even with the cruise control turned on, you can still use the accelerator pedal to speed up for passing. After completing the pass, take your foot off the accelerator pedal. The car will return to the set cruising speed. Resting your foot on the brake or clutch pedal will cause the cruise control to cancel.

Steering Wheel Controls, Keys and Locks

Cancelling the Cruise Control

You can cancel the cruise control in any of these ways:

- Tap the brake or clutch pedal.
- Press the SET/decel and RESUME/accel buttons at the same time.
- Press the Cruise Control Master Switch.

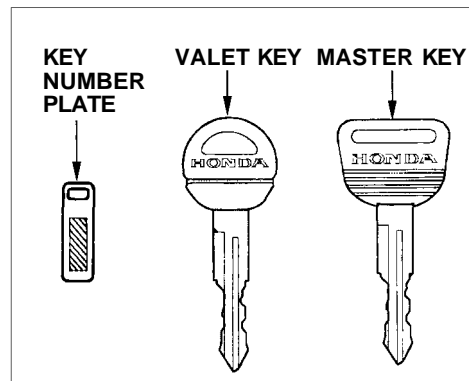
When you tap the brake or clutch pedal, or press the SET and RESUME buttons at the same time, the CRUISE CONTROL light on the instrument panel will go out and the car will begin to slow down. You can use the accelerator pedal in the normal way.

If you use the brake or clutch pedal to cancel cruise control, the system remembers the previously-set cruising speed. To return to that speed, accelerate to above 25 mph (40 km/h) and press the RESUME/accel button until the CRUISE CONTROL light comes on. The car will accelerate to the same cruising speed as before.

If you cancel cruise control by pressing the SET and RESUME buttons at the same time, the previously-set cruising speed is erased. To use the cruise control, accelerate to the desired cruising speed and press the SET/decel button.

Pressing the Cruise Control Master Switch turns the system completely off and erases the previous cruising speed from memory. To use the system again, refer to ***Using the Cruise Control.***

Keys



Your vehicle comes with two kinds of keys: a master key and a valet key. The master key fits all the locks on your car:

- Ignition
- Doors
- Rear locking compartment
- Trunk
- Trunk release handle

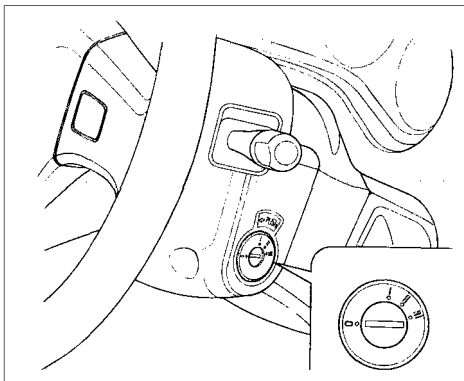
CONTINUED

Keys and Locks

The valet key works only in the ignition and the door locks. You can keep the trunk, rear locking compartment and trunk release handle locked when you leave your car and valet key at a parking facility.

You should have received a key number plate with your set of keys. You will need this key number if you ever have to get a lost key replaced. Keep the plate stored in a safe place. When replacing keys, use only Honda-approved key blanks.

Ignition Switch



The ignition switch is on the right side of the steering column. It has four positions:

- LOCK (0)
- ACCESSORY (I)
- ON (II)
- START (III)

LOCK (0) — You can insert or remove the key only in this position. When you turn the key from LOCK to ACCESSORY, you may have to turn the steering wheel to release the anti-theft lock. To switch from ACCESSORY to LOCK, you must push the key in slightly as you turn it. If your car has an automatic transmission, it must also be in Park. The anti-theft lock will lock the steering column when you remove the key.

WARNING

Removing the key from the ignition switch while driving locks the steering. This can cause you to lose control.

Remove the key from the ignition switch only when parked.

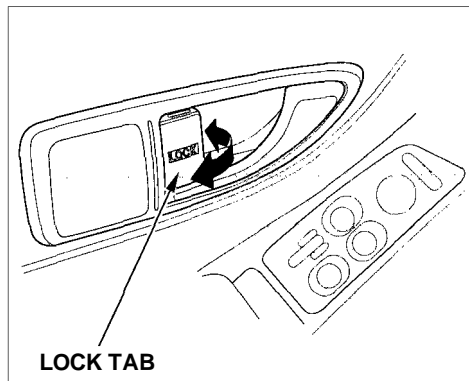
ACCESSORY (I) — In this position, you can operate the audio system and the cigarette lighter.

ON (II) — This is the normal key position when driving. All features and accessories on the car are usable. Several of the lights on the instrument panel come on as a test when you turn the ignition switch from ACCESSORY to ON (see page 31).

START (III) — Use this position only to start the engine. The switch returns to ON (II) when you let go of the key.

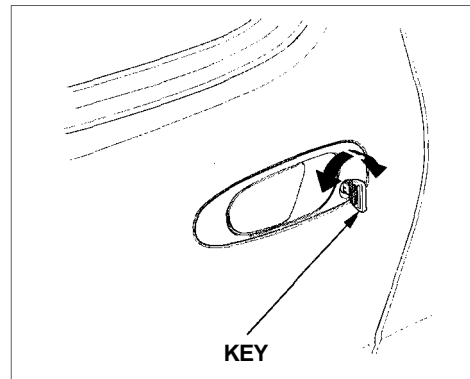
You will hear a reminder beeper if you leave the key in the ignition switch in the LOCK (0) or ACCESSORY (I) position and open the driver's door. Remove the key to turn off the beeper.

Door Locks



Each door has a lock tab next to the inside door handle. Push the tab in to lock the door and pull it out to unlock.

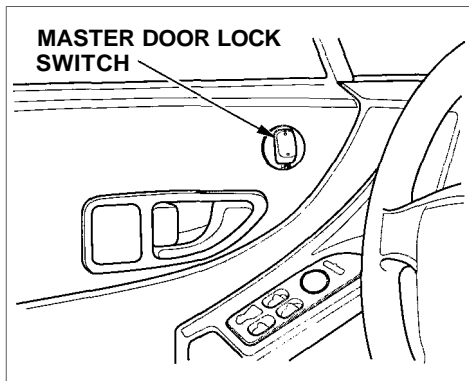
To lock the passenger's door when getting out of the car, push the lock tab in and close the door. To lock the driver's door, pull the door handle and push the lock tab in. Release the handle, then close the door.



The doors can also be locked and unlocked from the outside with the key.

Keys and Locks

Power Door Locks

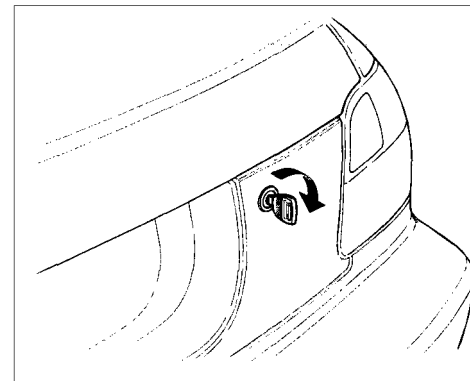


On Si and VTEC models in the U.S., and VTEC model in Canada

The master door lock switch allows control of both door locks from the driver's door. Push the bottom of the switch to lock both doors, and the top to unlock them.

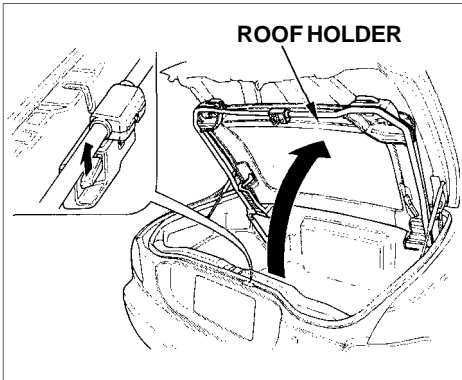
Both doors lock when you push in the lock tab on the driver's door, or lock the driver's door from the outside with the key. Only the driver's door unlocks when you use the key or lock tab. To unlock the passenger's door, use the master door lock switch or pull out the lock tab on the passenger's door.

Trunk



Open the trunk by putting the master key in the lock and turning it clockwise.

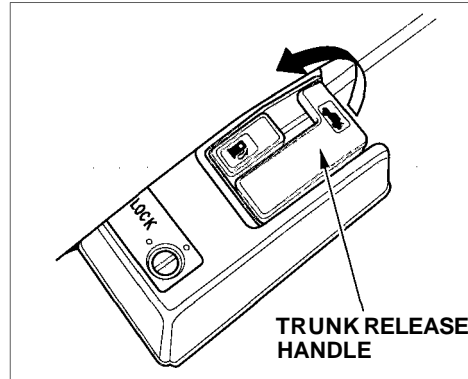
See page [98](#) for cargo loading and weight limit information. Keep the trunk lid closed at all times while driving to avoid damaging the lid, and to prevent exhaust gas from getting into the interior. See **Carbon Monoxide Hazard** on page [26](#).



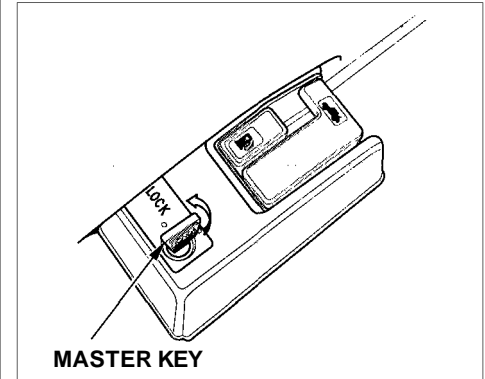
You cannot put any luggage in the trunk without lifting up the roof holder when the roof is stored in the trunk.

Make sure to lock the roof holder before closing the trunk lid.

See page [98](#) for cargo loading and weight limit information.



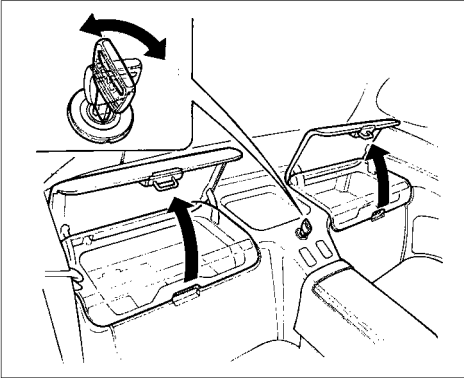
You can also open the trunk by pulling the trunk release handle to the left of the driver's seat.



To protect items in the trunk when you need to give the key to someone else, lock the trunk release handle with the master key and give the other person the valet key.

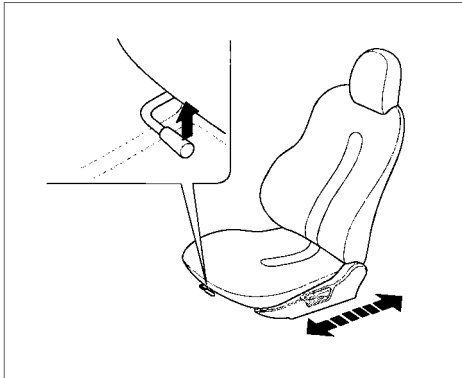
Keys and Locks, Seat Adjustments

Rear Locking Compartment



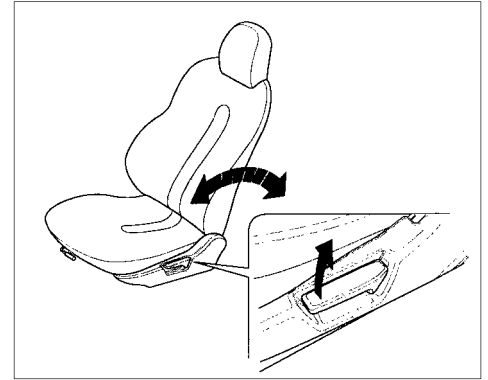
To open either rear locking compartment, put the master key in the lock, turn it counterclockwise and lift the lid up. Push the lid to close. Turn the key clockwise to lock the compartment.

Seat Adjustments



Adjust the seat before you start driving.

To adjust the seat forward and backward, pull up on the lever under the seat cushion's front edge. Move the seat to the desired position and release the lever. Try to move the seat to make sure it is locked in position.



To change the angle of the seat-back, pull up on the lever on the outside of the seat bottom. Move the seat-back to the desired position and release the lever. Let the seat-back latch in the new position.

Seat Adjustments, Power Windows

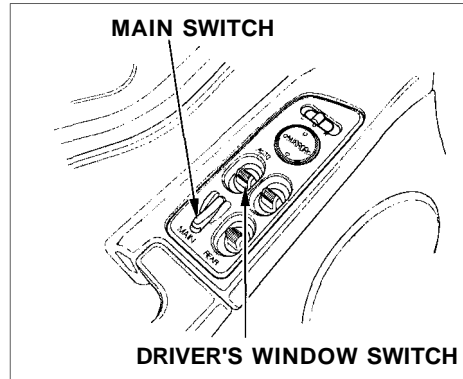
⚠ WARNING

Reclining the seat-back can decrease the protection you get from your seat belt in a crash.

You can slide under the seat belt and be seriously injured.

Adjust the seat-back to an upright position and sit well back in the seat.

Power Windows



Your car's windows are electrically-powered. Turn the ignition switch to ON (II) to raise or lower any window.

Each door has a switch that controls its window. The rear window switch is located in the master control panel on the driver's armrest. To open the window, push the switch down and hold it. Release the switch when you want the window to stop. Close the window by pushing the switch up

and holding it.

To open the passenger's window or rear window from the master control panel, push down on the appropriate switch and hold it down until the window reaches the desired position. To close the window, push up on the window switch. Release the switch when the window gets to the position you want.

⚠ WARNING

Closing a power window on a child's hands or fingers can cause serious injury.

Make sure your child is away from the window before closing it.

CONTINUED

Power Windows

The master control panel also contains these extra features:

AUTO — To open the driver's window fully, push the window switch firmly down and release it. The window automatically goes all the way down. To stop the window from going all the way down, push the window switch up briefly.

To open the driver's window only partially, push the window switch down lightly and hold it. The window will stop as soon as you release the switch.

The AUTO function only works to lower the driver's window. To raise the window, you must push the window switch up and hold it until the window reaches the desired position.

The MAIN switch controls power to the passenger's and rear windows. With this switch off, the passenger's and rear windows cannot be raised or lowered. The MAIN switch does not affect the driver's window. Keep the MAIN switch off when you have children in the car so they do not injure themselves by operating the windows unintentionally.

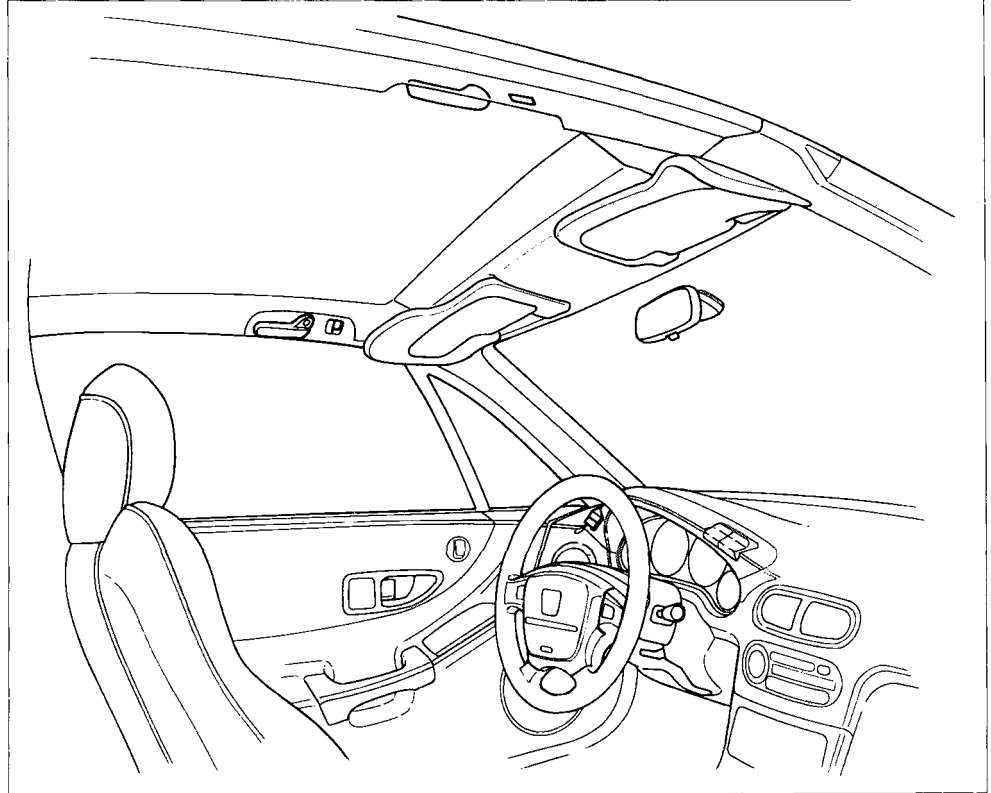
Removable Roof Panel

Your Honda's roof panel has a single release handle on each side, making it easy to remove and install. When not in use, the roof panel can be stored in a special holder in the trunk.

Always clean and dry the roof panel before you remove it so dirt and water do not fall in the interior and trunk.

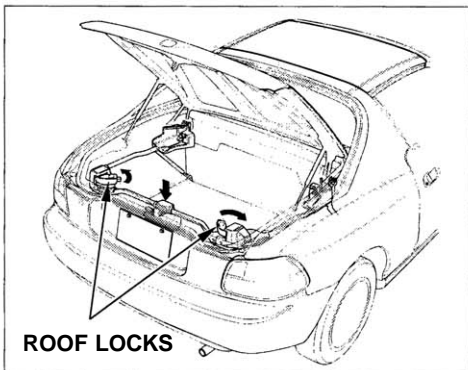
Make sure any items you store in the trunk will not tumble around and damage the roof panel.

One person should be able to remove and install the roof panel. Although the panel is not very heavy, you may find it awkward to handle because of its size. If so, get someone to assist you so you do not damage the panel.

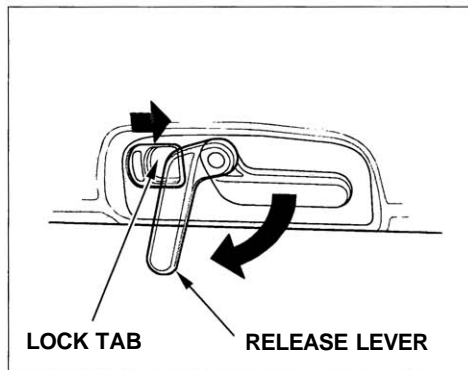


Removable Roof Panel

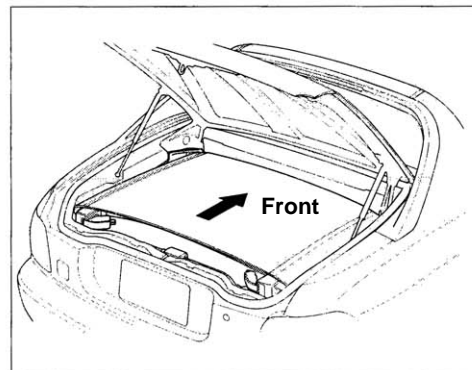
Removing and Storing



1. Open both windows.
2. Turn off the engine and set the parking brake.
3. Open the trunk. Push on the roof holder to make sure it is locked in place. Unlock the roof locks by pivoting them forward.

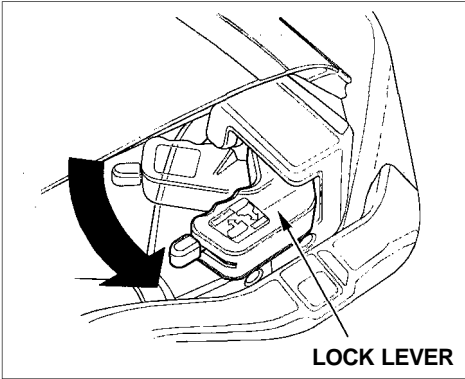


4. Release each side of the roof by pushing the lock tab sideways and pulling down the release lever. Carefully lift the roof straight up.



5. Place the roof in the roof holder with the front facing forward.

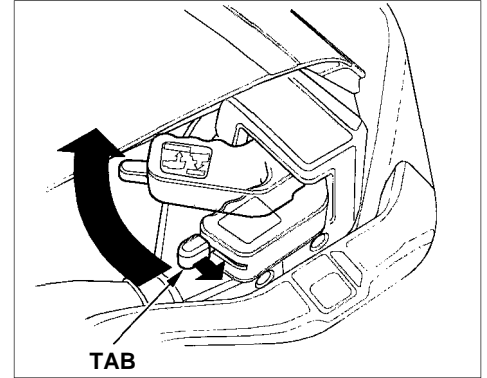
Always store the removed roof in the holder. Never set the roof down where it could get damaged.



6. Lock the roof in the holder by pivoting the lock levers toward the back of the car.

Installing

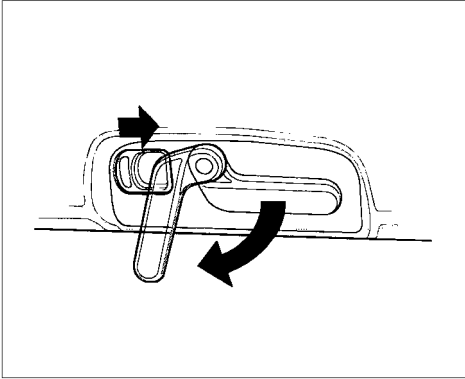
1. Open both windows or doors.
2. Turn off the engine and set the parking brake.
3. Open the trunk.



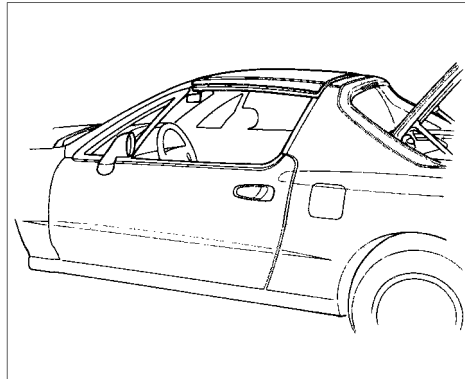
4. Release the roof from the holder by pushing the tabs and pivoting the lock levers forward.

CONTINUED

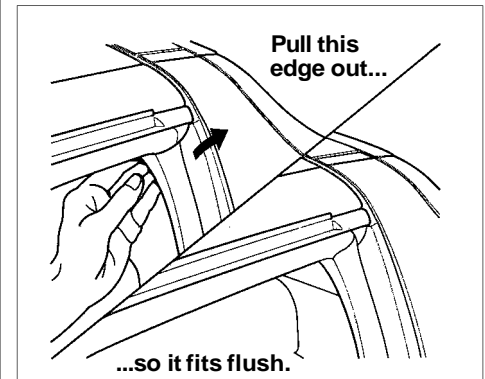
Removable Roof Panel



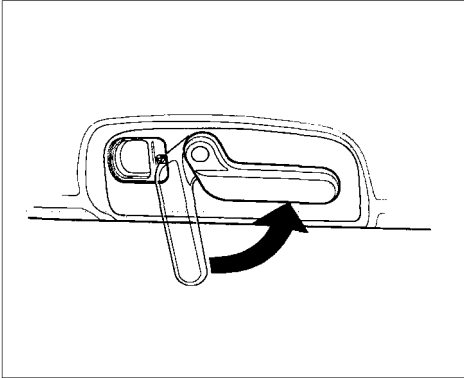
5. Lift the roof out of the holder. Make sure the roof panel release levers are in the unlocked (down) position.



6. Set the roof in place on the car. Make sure all four corners are sitting flush with the car body. Move the roof from side-to-side to position the seals.

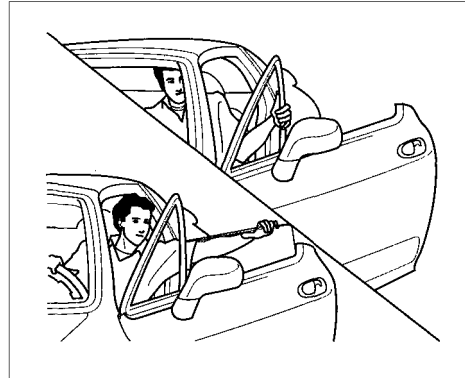


7. Check the fit of the seals at the back of the roof. If the end of either roof seal is sitting on top of the body seal, reposition the body seal.



8. Secure the roof by turning each release lever until the lock tab clicks forward. Pull on the levers to make sure they are locked.

Protecting Against Leaks



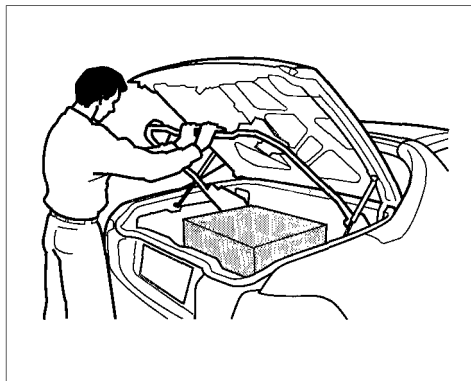
Do not push or pull on the door glass or side window when you are opening or closing the door.



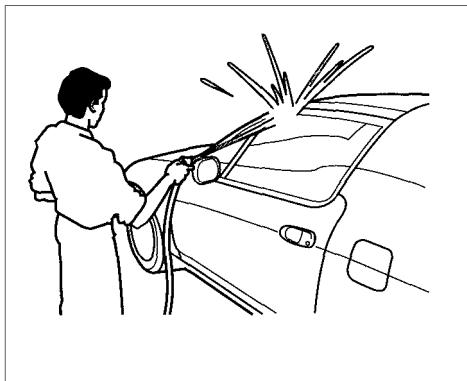
Do not lean or sit on an open door.

CONTINUED

Removable Roof Panel



Be careful when you store items in the trunk. Make sure they will not damage the roof when you close and lock the roof holder. Also, make sure they cannot bounce around and damage the roof while driving.



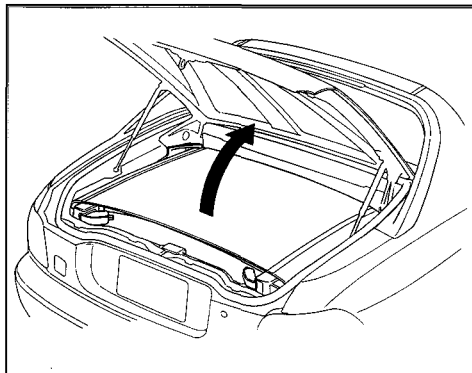
A high pressure water stream can distort the roof seals and cause them to leak. Do not spray a high pressure stream from a hose directly at the roof seals.



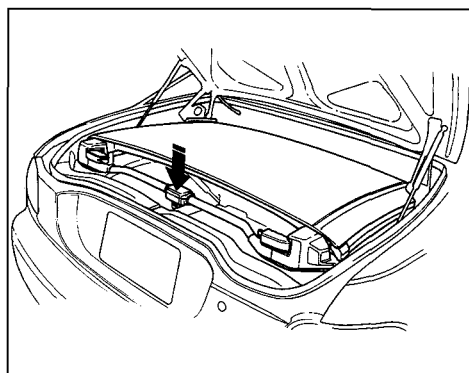
Avoid automatic car washes that use only high pressure spray for cleaning.

Removable Roof Panel

Roof Holder

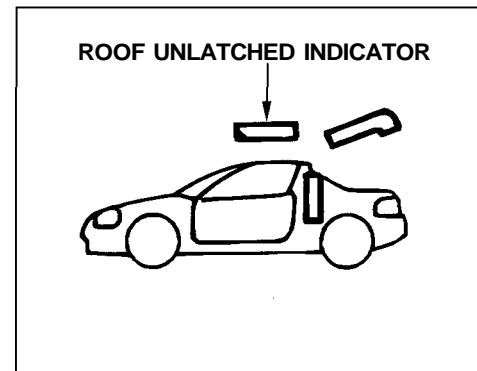


To reach items in the trunk when the roof is stored, pull the roof holder lock lever and lift the holder.



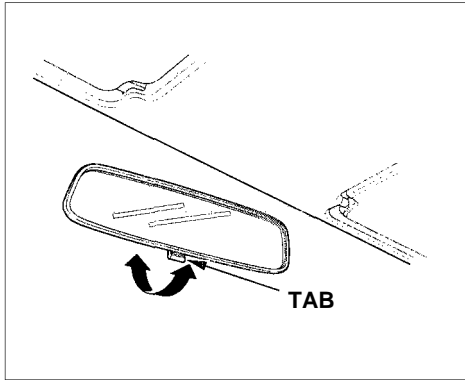
To secure the roof holder, push down on it until it locks. Make sure it is locked so it will not rattle or damage the trunk lid.

Roof Unlatched Indicator



This indicator lights when you turn the ignition ON (II) if the roof panel is not fastened securely. Check both release levers to make sure they are locked.

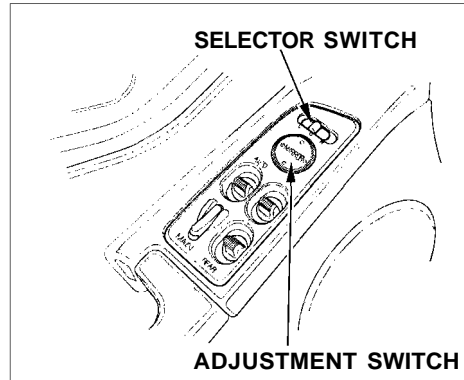
Mirrors



Keep the inside and outside mirrors clean and adjusted for best visibility. Be sure to adjust the mirrors before you start driving.

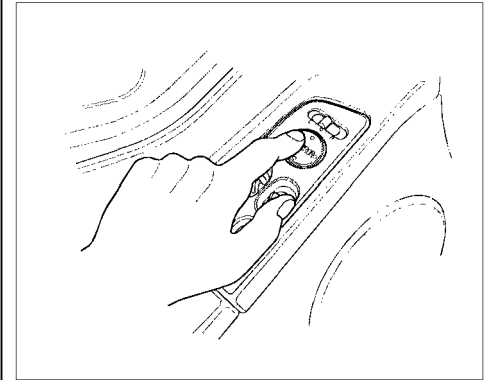
The inside mirror has day and night positions. The night position reduces glare from headlights behind you. Flip the tab on the bottom edge of the mirror to select the day or night position.

Adjusting the Power Mirrors



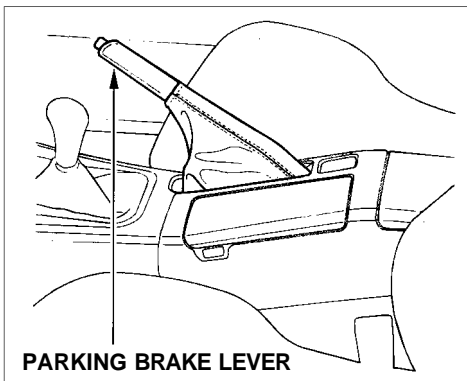
On Si and VTEC models
Adjust the outside mirrors with the adjustment switch on the driver's door:

1. Turn the ignition switch ON (II).
2. Move the selector switch to L (driver's side) or R (passenger's side).



3. Push the appropriate edge of the adjustment switch to move the mirror right, left, up or down.
4. When you finish, move the selector switch to the center (off) position. This turns off the adjustment switch so you can't move a mirror out of position by accidentally bumping the switch.

Parking Brake

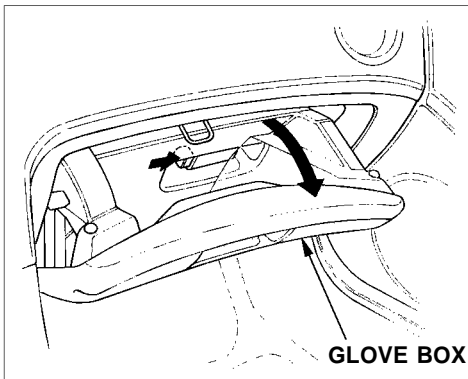


To apply the parking brake, pull the lever up fully. To release it, pull up slightly, push the button, and lower the lever. The parking brake light on the instrument panel should go out when the parking brake is fully released (see page 32). If you try to drive the car without releasing the parking brake, the ABS indicator may come on, and the ABS may not work properly.

NOTICE

Driving the car with the parking brake applied can damage the rear brakes and axles.

Glove Box



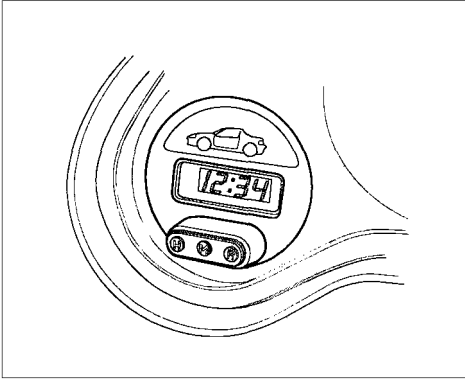
Open the glove box by pushing the knob. Close it with a firm push.

WARNING

An open glove box can cause serious injury to your passenger in a crash, even if the passenger is wearing the seat belt.

Always keep the glove box closed while driving.

Digital Clock



The digital clock displays the time with the ignition switch ON (II). To set the clock:

1. Turn the ignition switch ON (II) to display the time.
2. Press and hold the H button until the hour advances to the desired time.

3. Press and hold the M button until the numbers advance to the desired time.

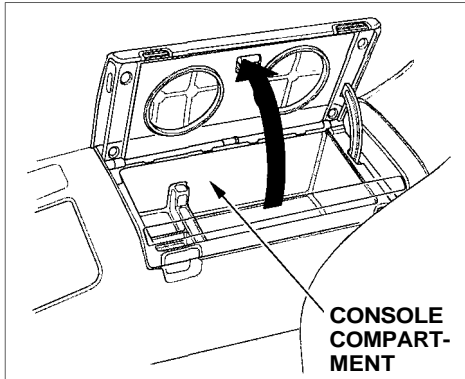
You can use R to quickly set the time to the nearest hour. If the displayed time is before the half hour, pressing R sets the clock back to the previous hour. If the displayed time is after the half hour, pressing R sets the clock forward to the beginning of the next hour.

For example:

- 1:06 would RESET to 1:00.
- 1:52 would RESET to 2:00.

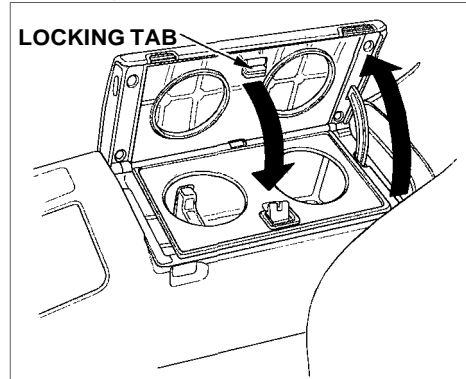
Console Compartment, Beverage Holder

Console Compartment



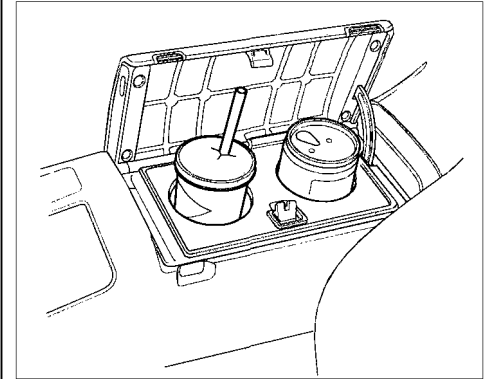
To open the console compartment, pull up the edge of the driver's side. To close, lower the lid and push it down until it latches.

Beverage Holder



The beverage holder is located inside the center console compartment. To use the beverage holder, open the center console compartment. Pull the beverage holder out while pushing the locking tab.

Use the beverage holder only when the car is parked. If you place cups in the holder while driving, the liquid may spill when you go over bumps or

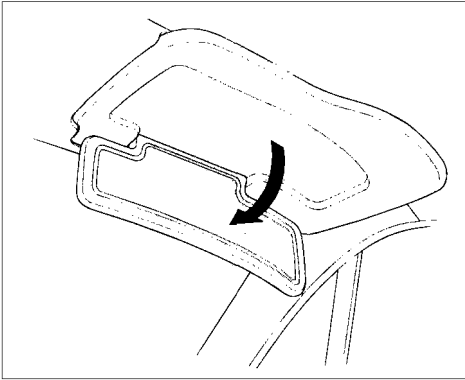


around corners.

Be careful when you are using the beverage holder. A spilled liquid that is very hot can scald you or your passenger. Spilled liquids can also damage the upholstery, carpeting, and electrical components in the interior.

Sun Visor, Cigarette Lighter, Ashtray

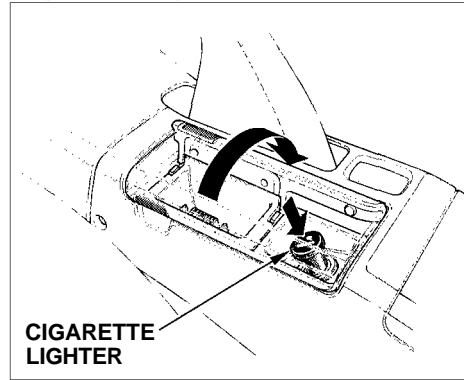
Sun Visor



To use the sun visor, pull it down.

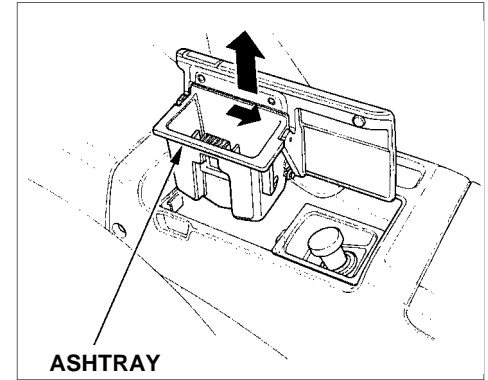
Do not use the sun visor frame as a hand hold or to support yourself when you are getting into or out of the car with the roof removed. Too much force may cause it to come loose or break.

Cigarette Lighter



The cigarette lighter is next to the ashtray under the ashtray lid. The ignition switch must be in ACCESSORY (I) or ON (II) for the cigarette lighter to work. To heat up the lighter, push it in. It will pop out when it is ready for use. Do not hold the lighter in while it is heating up, you could cause it to overheat.

Ashtray

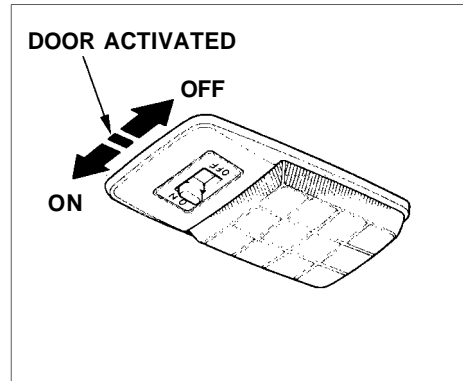


Open the ashtray by lifting the lid up. To remove the ashtray for emptying, open the lid then pull it straight out of the holder. To reinstall the ashtray, put it back in the holder with the lid open and push it straight down.

NOTICE

Use the ashtray only for cigarettes, cigars, and other smoking materials. To prevent a possible fire and damage to your car, don't put paper or other things that can burn in the ashtray.

Interior Light



The interior light has a three-position switch. In the OFF position, the light does not come on. In the center position, the interior light comes on when you open either door. In the ON position, the interior light stays on continuously.

Comfort and Convenience Features

The heating and optional air conditioning systems in your Honda provide a comfortable driving environment in all weather conditions.

The audio system that is standard equipment on some models has many features. This section describes those features and how to use them. (If you selected an optional audio system, refer to the operating instructions that came with it.)

Some models have an anti-theft audio system that requires a code number to enable it.

Heating and Cooling.....	68
What Each Control Does.....	68
How to Use the System.....	70
To Turn Everything Off	75
Audio System.....	76
Operating the Radio.....	76
Adjusting the Sound.....	78
Radio Frequencies.....	79
Radio Reception.....	79
Operating the Cassette Player...	81
Tape Search Functions.....	82
Caring for the Cassette Player...	83
Operating the Optional CD Changer.....	84
Protecting Compact Discs.....	86
CD Changer Error Indications...	87
Theft Protection.....	88

Heating and Cooling

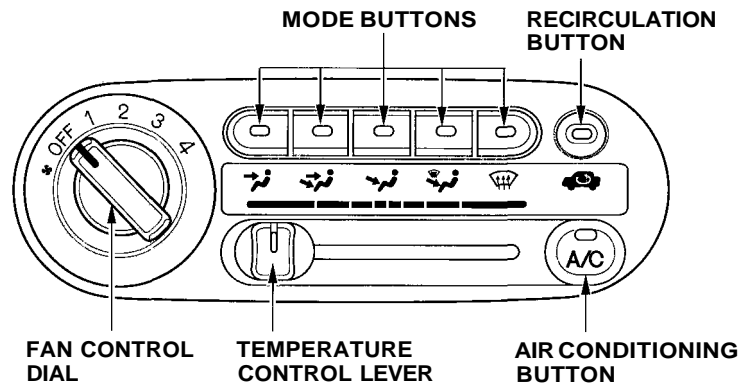
Proper use of the Heating and Cooling system can make the interior dry and comfortable, and keep the windows clear for best visibility.

If your vehicle does not have air conditioning, it can be installed at any time. Your dealer will install a Genuine Honda air conditioning system that meets Honda's high quality standards and is designed to exactly fit your vehicle. Please contact your dealer for more information.

What Each Control Does

Fan Control Dial

Turning this dial clockwise increases the fan's speed, which increases air flow.



Temperature Control Lever

Sliding this lever to the right increases the temperature of the air flow.

Air Conditioning (A/C) Button (Optional)


This button turns the air conditioning ON and OFF. The indicator in the button lights when the A/C is on.


Recirculation Button


This button controls the source of the air going into the system. When the indicator in this button is lit, air from the vehicle's interior is sent through the system again (Recirculation mode). When the indicator is off, air is brought in from outside the vehicle (Fresh Air mode).


Mode Buttons


Use the MODE buttons to select the vents the air flows from.

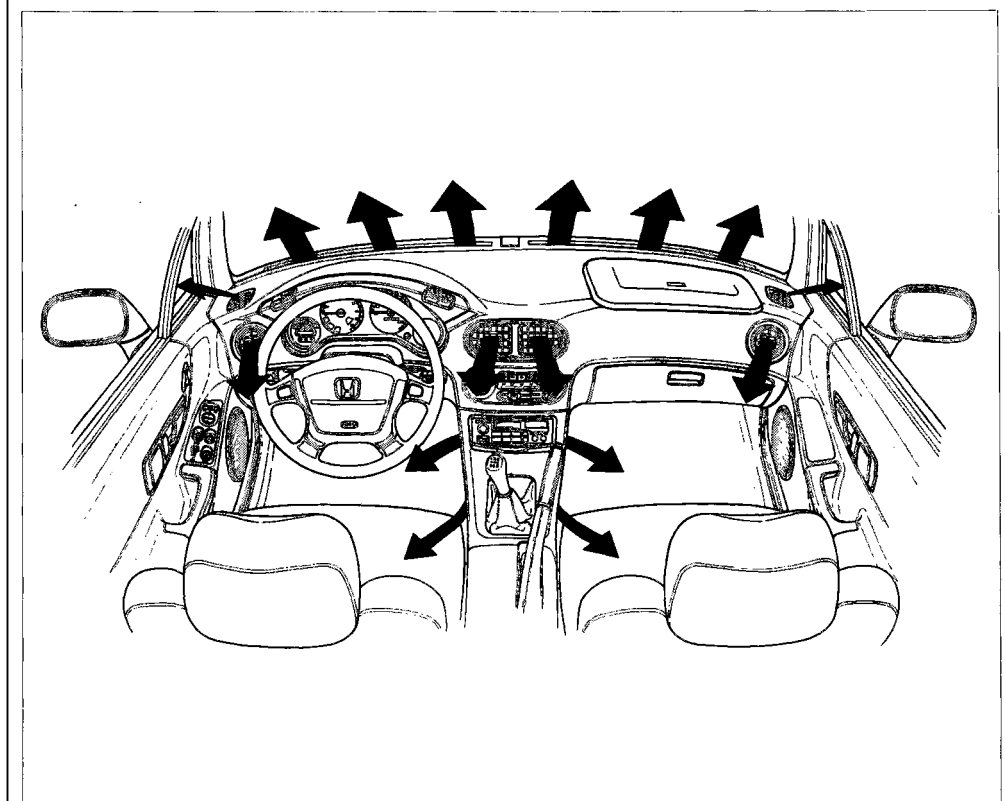
 Air flows from the center and corner vents in the dashboard.

 Air flow is divided between the vents in the dashboard and the floor vents.

 Air flows from the floor vents.

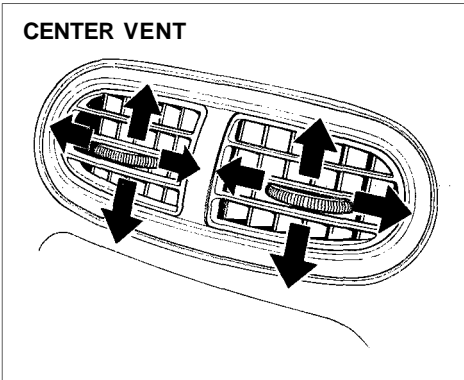
 Air flow is divided between the floor vents and the defroster vents at the base of the windshield.

 Air flows from the defroster vents at the base of the windshield.

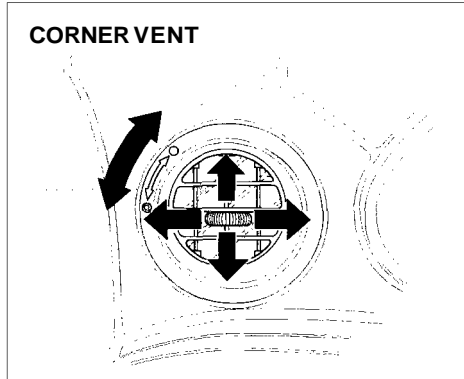


Heating and Cooling

Vent Controls



You can adjust the direction of the air coming from the dashboard vents by moving the tab in the center of each vent up-and-down and side-to-side.



The corner vents and the center console vent on the driver's side can be closed by turning the vent approximately 45° clockwise.

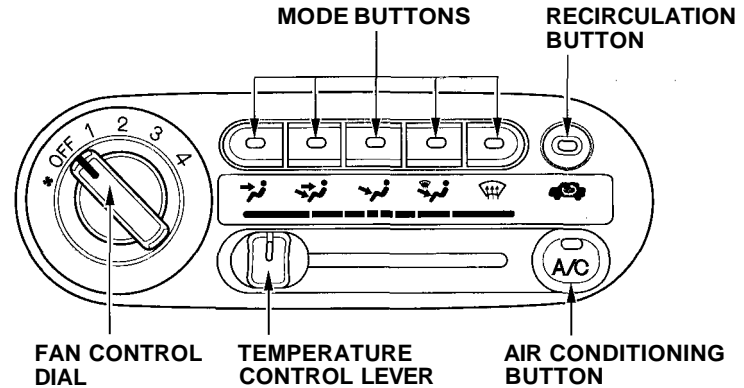
How to Use the System

This section covers how to set up the system controls for ventilation, heating, cooling, dehumidifying, and defrosting.

The engine must be running for the heater and air conditioning to generate hot and cold air. The heater uses engine coolant to warm the air. If the engine is cold, it will be several minutes before you feel warm air coming from the system. The air conditioning does not rely on engine temperature.


It is best to leave the system in Fresh Air mode under almost all conditions. Keeping the system in Recirculation mode, particularly with the A/C off, can cause the windows to fog up. Switch to Recirculation mode when you are driving through smoky or dusty conditions, then switch back to Fresh Air mode when the condition clears.

The outside air intakes for the heating and cooling system are at the base of the windshield. Keep these clear of leaves and other debris.



Ventilation


The flow-through ventilation system draws in outside air, circulates it through the interior, then exhausts it through vents near the rear window.

1. Slide the temperature control lever all the way to the left. Make sure the A/C is off.
2. Select  and Fresh Air mode.
3. Set the fan to the desired speed.


CONTINUED

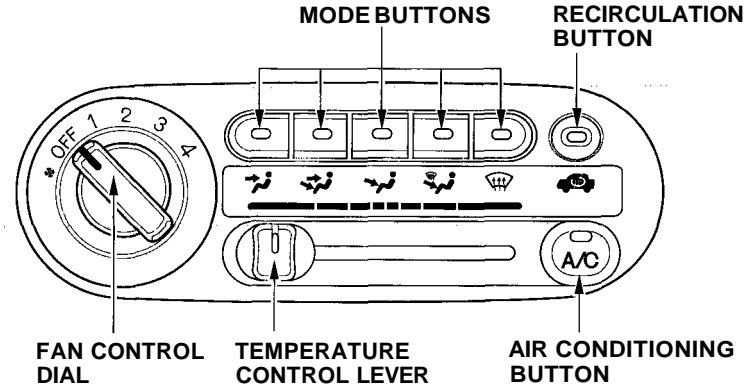
Heating and Cooling

To Cool with Optional A/C

1. Turn on the A/C by pressing the button. The light in the button should come on.
2. Make sure the temperature control lever is all the way to the left.
3. Select  and Fresh Air mode.
4. Set the fan to the desired speed.

If the interior is very warm from being parked in the sun, you can cool it down more rapidly by setting up the controls this way:

1. Start the engine.
2. Turn on the A/C by pressing the button. Make sure the temperature control lever is all the way to the left.
3. Set the fan to maximum speed.
4. Open the windows partially. Select  and Recirculation mode.




When the interior has cooled down to a more comfortable temperature, close the windows and set the controls as described for normal cooling.

Air conditioning places an extra load on the engine. Watch the engine coolant temperature gauge (see page 36) when driving in stop-and-go traffic or climbing a long, steep hill. If it moves near the red zone, turn off the A/C until the gauge reads normally.


To Heat

To warm the interior:

1. Start the engine.
2. Select  and Fresh Air mode.
3. Set the fan to the desired speed.
4. Adjust the warmth of the air with the temperature control lever.

To Heat and Dehumidify with Optional Air Conditioning


Air conditioning, as it cools, removes moisture from the air. When used in combination with the heater, it makes the interior warm and dry.

1. Switch the fan on.
2. Turn on the air conditioning.
3. Select  and Fresh Air mode.
4. Adjust the temperature control lever so the mixture of heated and cooled air feels comfortable.

This setting is suitable for all driving conditions whenever the outside temperature is above 32°F (0°C).

To Defog and Defrost


To remove fog from the inside of the windows:

1. Switch the fan on.
2. Turn on the air conditioning (optional).
3. Select Fresh Air mode and .
4. Adjust the temperature control lever so the air flow from the defroster vents feels warm.
5. Turn on the rear window defogger to help clear the rear window.

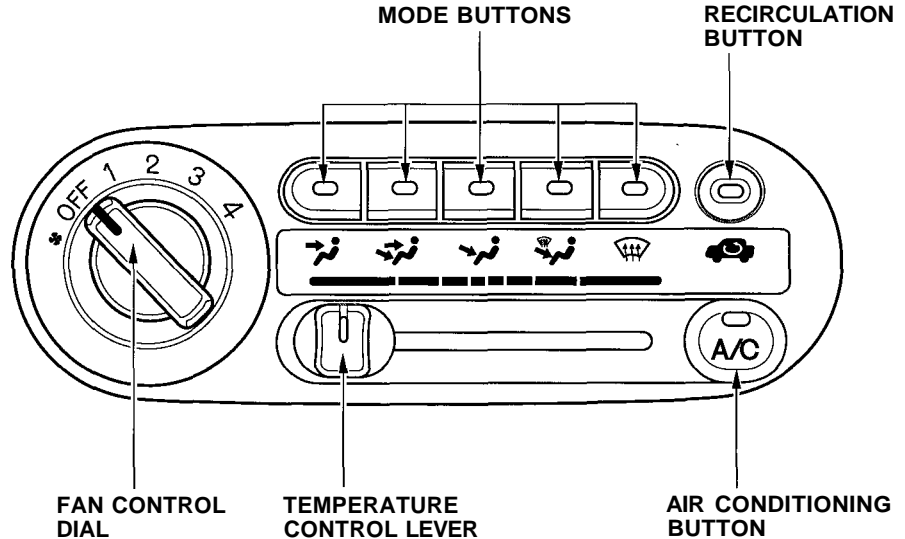
CONTINUED

Heating and Cooling

To remove exterior frost or ice from the windshield and side windows after the car has been sitting out in cold weather:

1. Start the engine.
2. Select the Fresh Air mode and .
3. Switch the fan and temperature controls to maximum.

To rapidly remove exterior frost or ice from the windshield (on very cold days), first select the Recirculation mode. Once the windshield is clear, select the Fresh Air mode to avoid fogging the windows.



These settings direct all the air flow to the defroster vents at the base of the windshield and the side window defroster vents. The air flow will get warmer and clear the windows faster as the engine warms up. You can close the corner vents by turning them 45° clockwise. This will send more warm air to the windshield defroster vents.

For safety, make sure you have a clear view through all the windows before driving away.

To Turn Everything Off

To shut off the system temporarily, turn off the fan and slide the temperature control lever all the way to the left.

You should shut the system completely off only for the first few minutes of driving in cold weather, until the engine coolant warms up enough to operate the heater. Keep the fan on at all other times so stale air does not build up in the interior.

Audio System

AM/FM/Cassette Stereo Audio System

On Si and VTEC models

Your Honda's audio system provides clear reception on both AM and FM bands, while the preset buttons allow you to easily select your favorite stations.

The cassette system features Dolby B* noise reduction, automatic sensing of chromium-dioxide (CrO₂) tape, and autoreverse for continuous play.

The Anti-theft feature will disable the system if it is disconnected from the car's battery. To get the system working again, you must enter a code number (see page 88).

* Dolby noise reduction manufactured under license from Dolby Laboratories Licensing Corporation. "DOLBY" and the double-D symbol

DD are trademarks of Dolby Laboratories Licensing Corporation.

Operating the Radio

The ignition switch must be in ACCESSORY (I) or ON (II). Turn the system on and adjust the volume by turning the ON/VOL knob.

The band and frequency that the radio was last tuned to is displayed. To change bands, press the AM or FM button. On the FM band, ST will be displayed if the station is broadcasting in stereo. Stereo reproduction on AM is not available.

You can use any of three methods to find radio stations on the selected band: TUNE, SEEK, or the Preset buttons.

TUNE — Use the TUNE/SEEK bar to tune the radio to a desired frequency. Press the right side (▲) to tune to a higher frequency, or the left side (▼) to tune to a lower frequency. The frequency numbers will start to change rapidly. Release

the bar when the display reaches the desired frequency. To change the frequency in small increments, press and release the TUNE/SEEK bar quickly.

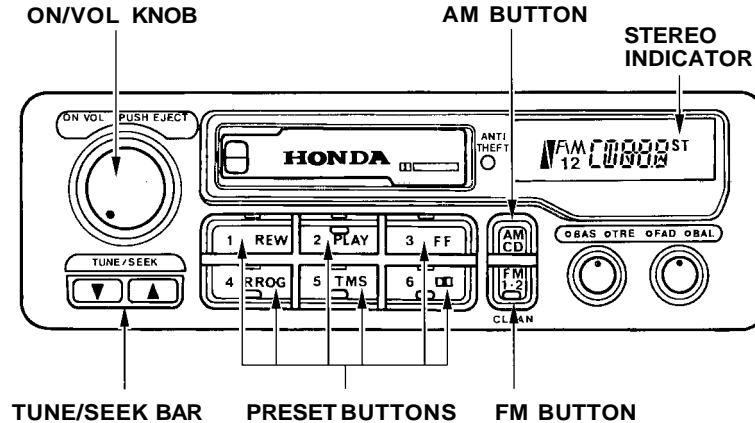
SEEK — The SEEK function searches the band for a station with a strong signal. To activate it, press the TUNE/SEEK bar until you hear a beep, then release it. Depending on which side of the bar you press, the system scans upward or downward from the current frequency. It stops when it finds a station with a strong signal.

Preset — You can store the frequencies of your favorite radio stations in the six preset buttons. Each button will store one frequency on the AM band, and two on the FM band.

To store a frequency:

1. Select the desired band, AM or FM. FM1 and FM2 let you store two frequencies with each Preset button.
2. Use the TUNE or SEEK function to tune the radio to a desired station.
3. Pick the Preset button you want for that station. Press the button and hold it until you hear a beep.
4. Repeat steps 1 to 3 to store a total of six stations on AM and twelve on FM.

Once a station's frequency is stored, simply press and release the proper Preset button to tune to it. The preset frequencies will be lost if your vehicle's battery goes dead, is disconnected or the radio fuse is removed.



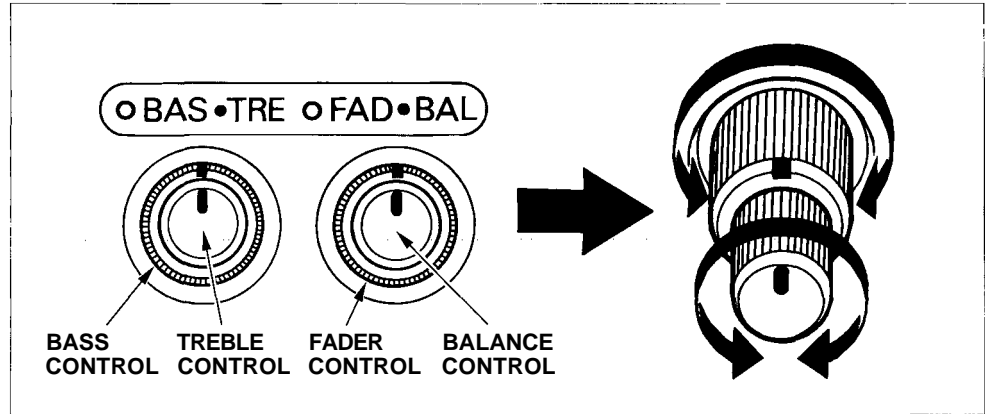
Audio System

Adjusting the Sound

Balance/Fader — These two controls adjust the strength of the sound coming from each speaker. The Balance control adjusts the side-to-side strength, while the Fader control adjusts the front-to-back strength.

To use these controls, push on the knob to get them to pop out. Adjust the Fader to your liking by turning the outside ring. Adjust the Balance by turning the knob. Push the controls back in when you are done.

Treble/Bass — Use these controls to adjust the tone to your liking. Push on the controls to get them to pop out. Adjust the Bass by turning the outer ring. Adjust the Treble by turning the knob. Push the controls back in when you are finished so you cannot change the settings by accidentally bumping them.



Audio System Lighting

You can use the Balance control knob to turn off the illumination of the audio system. Push the Balance/Fader controls so they pop out, then pull the Balance control knob out slightly farther.

Check the Balance control knob if the audio system does not illuminate with the instrument panel lights.

Radio Frequencies

Your Honda's radio can receive the complete AM and FM bands.

Those bands cover these frequencies:

AM band:

530 to 1,710 kilohertz

FM band:

87.7 to 107.9 megahertz

Radio stations on the AM band are assigned frequencies at least ten kilohertz apart (530, 540, 550).

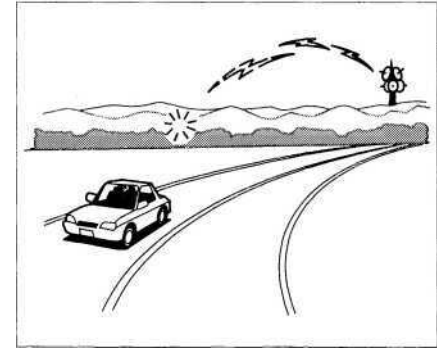
Stations on the FM band are assigned frequencies at least 0.2 megahertz apart (87.9, 88.1, 88.3).

Stations must use these exact frequencies. It is fairly common for stations to round-off the frequency in their advertising, so your radio could display a frequency of 100.9 even though the announcer may identify the station as "FM101."

Radio Reception

How well your Honda's radio receives stations is dependent on many factors, such as the distance from the station's transmitter, nearby large objects, and atmospheric conditions.

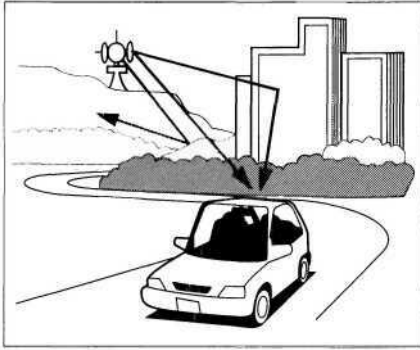
A radio station's signal gets weaker as you get farther away from its transmitter. If you are listening to an AM station, you will notice the sound volume becoming weaker, and the station drifting in and out. If you are listening to an FM station, you will see the stereo indicator flickering off and on as the signal weakens. Eventually, the stereo indicator will go off and the sound will fade completely as you get out of range of the station's signal.



Driving very near the transmitter of a station that is broadcasting on a frequency close to the frequency of the station you are listening to can also affect your radio's reception. You may temporarily hear both stations, or hear only the station you are close to.

CONTINUED

Audio System



Radio signals, especially on the FM band, are deflected by large objects such as buildings and hills. Your radio then receives both the direct signal from the station's transmitter, and the deflected signal. This causes the sound to distort or flutter. This is a main cause of poor radio reception in city driving.




Radio reception can be affected by atmospheric conditions such as thunderstorms, high humidity, and even sunspots. You may be able to receive a distant radio station one day and not receive it the next day because of a change in conditions.

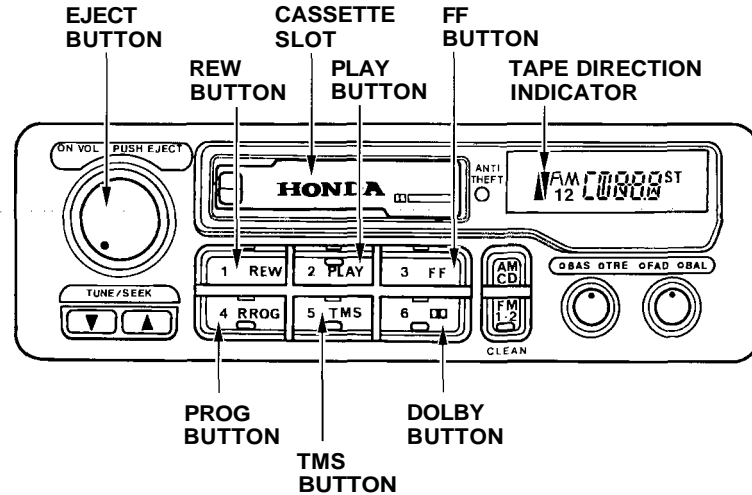
Electrical interference from passing vehicles and stationary sources can cause temporary reception problems.

Operating the Cassette Player

Turn the audio system ON. Make sure the tape opening on the cassette is facing to the right, then insert the cassette most of the way into the slot. The system will pull it in the rest of the way, and begin to play.

The tape direction indicator will light to show you which side of the cassette is playing. The ▲ indicates the side you inserted facing upward is now playing. If you want to play the other side, press the PROG button.

If the tape was recorded with Dolby B noise reduction, turn it on by pressing the  button.



CONTINUED

Audio System

When the system reaches the end of the tape, it will automatically reverse direction and play the other side. If you want to remove the cassette from the drive, press the EJECT button.

The system will automatically eject the cassette whenever you turn off the system or the ignition switch.

Tape Search Functions

With a cassette playing, you can use the FF, REW, or TMS function to find a desired program.

FF/REW — Fast Forward and Rewind move the tape rapidly. Press the REW button to rewind the tape, or the FF button to fast forward. Press the PLAY button to take the system out of rewind or fast forward. If the system reaches the end of the tape while in fast forward or rewind, it automatically stops that function, reverses direction, and begins to play.

TMS — The Tape Music Search Function allows you to find the beginning of a song or passage. To activate TMS, press the TMS button. The light in the button will remain on as a reminder that it is activated. Then press FF or REW to move the tape forward or backward. When the system reaches the beginning of the next song or passage (FF), or the beginning of the current one (REW), it goes back to PLAY mode. Deactivate the TMS by pressing the TMS button again.

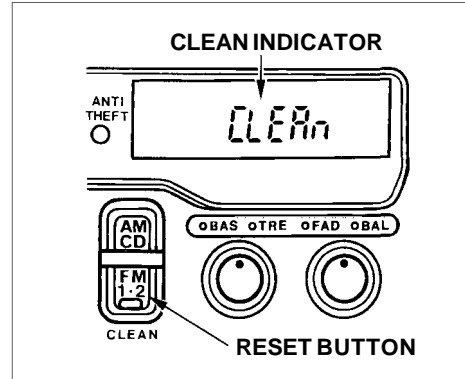
The TMS function uses silent periods on the tape to find the end of a song or passage. This feature may not work to your satisfaction if there is almost no gap between selections, a high noise level between selections, or a silent period in the middle of a selection.

Caring for the Cassette Player

The cassette player picks up dirt and oxides from the tape. This contamination builds up over time and causes the sound quality to degrade. To prevent this, you should clean the player after every 30 hours of use. Your dealer has a cleaning kit available.

As a reminder, after every 30 hours of use the system will flash CLEAN in the display for 5 seconds every time you insert a cassette in the player. After you clean the player, reset the CLEAN indicator by pressing the Reset button while playing a tape. Hold the button until you hear a beep and the indicator goes out.

If you do not clean the cassette player regularly, it may eventually become impossible to remove the contamination with a normal cleaning kit.



Use 100-minute or shorter cassettes. Cassettes longer than that use thinner tape that may break or jam the drive.

Look at the cassette before you insert it. If the tape is loose, tighten it by turning a hub with a pencil or your finger.

If the label is peeling off, remove it from the cassette or it could cause the cassette to jam in the player. Never try to insert a warped or damaged cassette in the player.

The player automatically ejects cassettes that do not play properly. If it ejects a cassette before it begins to play, it is probably defective and should not be inserted again. You may have a cassette suddenly stop playing, reverse directions once or twice and then eject. This is normally an indication the tape is wound unevenly. It should play after the tape is manually rewound.

When they are not in use, store cassettes in their cases to protect them from dust and moisture. Never place cassettes where they will be exposed to direct sunlight, high heat, or high humidity. If a cassette is exposed to extreme heat or cold, let it reach a moderate temperature before inserting it in the player.

Never try to insert foreign objects into the cassette player.

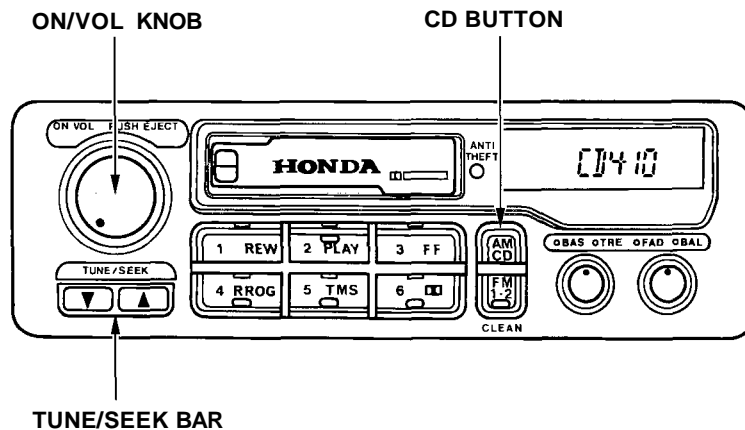
Audio System

Operating the Optional CD Changer

A Compact Disc changer is available from your dealer. It holds up to six discs, providing several hours of continuous entertainment. You operate the CD changer with the same controls used for the radio and cassette player.

Your dealer also has an accessory in-dash single CD player available that is operated by the radio controls. To operate this unit, use the instructions (except for those relating to multiple discs) in this section.

Using the instructions that came with the changer, load the desired CDs in the magazine, and load the magazine in the changer.



To operate the CD changer, the ignition must be in ACCESSORY (I) or ON (II) and the audio system must be on. If you are listening to a cassette, eject it.

Press the CD button until "CD" appears in the display. The system will start to play the first track of the first disc in the magazine. When that disc ends, the next disc in the magazine is loaded and played. After the last disc finishes, the system returns to disc 1.

To select a different disc, press the appropriate preset button (1 — 6). If you select an empty slot in the magazine, the changer will, after finding that slot empty, try to load the CD in the next slot. This continues until it finds a CD to load and play.

You can use the TUNE/SEEK bar to select tracks within a disc. If you press and release the TUNE/SEEK bar, the system will move to the beginning of a track. Press the ▲ side to move to the beginning of the next track, and the ▼ side to move to the beginning of the current track.

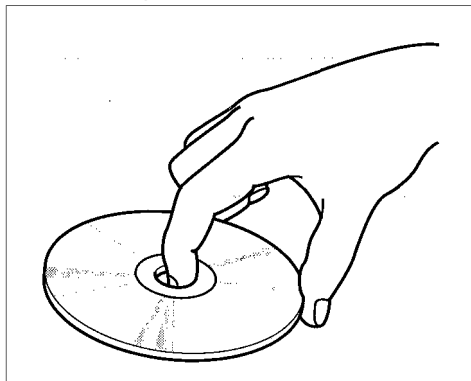
If you press and hold the TUNE/SEEK bar, the system will continue to move across tracks. Release the bar when you think it has reached the desired place on the disc.

To take the system out of CD mode, press the AM or FM button, or insert a cassette in the player. When you return to CD mode, play will continue at the same disc and track.

If you turn the system off while a CD is playing, either with the ON/VOL knob or the ignition switch, play will continue at the same disc and track when you turn it back on.

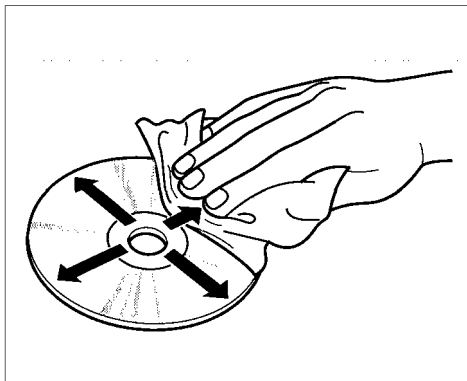
Audio System

Protecting Compact Discs

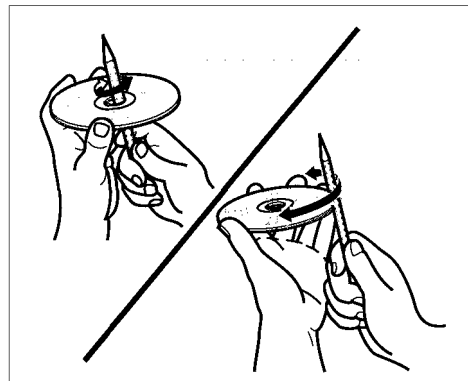


Handle a CD by its edges; never touch either surface. Contamination from fingerprints, liquids, felt-tip pens, and labels can cause the CD to not play properly, or possibly jam in the drive.

When a CD is not being played, store it in its case to protect it from dust and other contamination. To prevent warpage, keep CDs out of direct sunlight and extreme heat.



To clean a disc, use a clean soft cloth. Wipe across the disc from the center to the outside edge.



A new CD may be rough on the inner and outer edges. The small plastic pieces causing this roughness can flake off and fall on the recording surface of the disc, causing skipping or other problems. Remove these pieces by rubbing the inner and outer edges with the side of a pencil or pen.

Never try to insert foreign objects in the CD player or the magazine.

CD Changer Error Indications

If you see an error indication in the display while operating the CD changer, find the cause in the chart to the right. If you cannot clear the error indication, take the car to your Honda dealer.

Indication	Cause	Solution
<i>E-D1</i>	Disc-changer malfunction.	Press the magazine eject button. If the magazine does not eject, consult your Honda dealer.
<i>E-D2</i>	Disc is in changer mechanism.	Press the magazine eject button, and insert an empty magazine.
<i>---H</i>	High temperature.	Will disappear when the temperature returns to normal.
<i>E-EE</i>	Misconnection or disconnection of CD changer.	See your Honda dealer.
<i>----</i>	No CD magazine in the CD changer.	Insert a CD magazine.
<i>0-00</i>	No CD in magazine.	Insert a CD in the magazine.

Audio System

Theft Protection

On Si and VTEC models

Your car's audio system will disable itself if it is disconnected from electrical power for any reason. To make it work again, the user must enter a specific five-digit code in the Preset buttons. Because there are hundreds of number combinations possible from five digits, making the system work without knowing the exact code is nearly impossible.

You should have received a card that lists your audio system's code number and serial number. It is best to store this card in a safe place at home. In addition, you should write the audio system's serial number in this Owner's Manual. If you should happen to lose the card, you must obtain the code number from your Honda dealer. To do this, you will need the system's serial number.

If your car's battery is disconnected or goes dead, the audio system will disable itself. If this happens, you will see "Code" in the frequency display the next time you turn on the system. Use the Preset buttons to enter the five-digit code. If it is entered correctly, the radio will start playing.

If you make a mistake entering the code, do not start over or try to correct your mistake. Complete the five-digit sequence, then enter the correct code. You have three tries to enter the correct code. If you are unsuccessful in three attempts, you must then leave the system on for one hour before trying again.

You will have to store your favorite stations in the Preset buttons after the system begins working. Your original settings were lost when power was disconnected.

Before you begin driving your Honda, you should know what gasoline to use, and how to check the levels of important fluids. You also need to know how to properly store luggage or packages. The information in this section will help you. If you plan to add any accessories to your car, please read the information in this section first.

- Break-in Period..... 90
- Gasoline..... 90
 - Oxygenated Fuels..... 90
 - Driving in Foreign Countries..... 91
- Service Station Procedures 92
 - Filling the Fuel Tank..... 92
 - Opening the Hood..... 93
 - Oil Check..... 94
 - Engine Coolant Check..... 95
- Fuel Economy..... 96
 - Vehicle Condition..... 96
 - Driving Habits..... 96
- Accessories..... 97
- Loading Cargo..... 98

Break-in Period, Gasoline

Break-in Period

Help assure your car's future reliability and performance by paying extra attention to how you drive during the first 600 miles (1,000 km). During this period:

- Avoid full-throttle starts and rapid acceleration.
- Avoid hard braking. New brakes need to be broken-in by moderate use for the first 200 miles (300 km).

You should follow these same recommendations with an overhauled or exchanged engine, or when the brakes are relined.

Gasoline

Your Honda is designed to operate on unleaded gasoline.

We recommend gasolines containing detergent additives that help prevent fuel system and engine deposits.

Using gasoline containing lead will damage your car's emission controls. This contributes to air pollution.

In Canada, some gasolines contain an octane-enhancing additive called MMT. If you use such gasolines, your emission control system performance may deteriorate and the malfunction indicator lamp on your instrument panel may turn on. If this happens, contact your authorized Honda dealer for service.

(S and Si models)

Use an unleaded gasoline with a pump octane number of 86 or higher. Use of a lower octane gasoline can

cause a persistent, heavy metallic rapping noise in the engine that can lead to mechanical damage.

(VTEC model)

Use a premium unleaded gasoline with a pump octane number of 91 or higher.

If you are unable to find premium unleaded gasoline, you may substitute an unleaded regular gasoline. The engine will compensate for the lower octane, but you may notice a slight decrease in power as a result.

Oxygenated Fuels

Some conventional gasolines are being blended with alcohol or an ether compound. These gasolines are collectively referred to as oxygenated fuels. To meet clean air standards, some areas of the United States and Canada use oxygenated fuels to help reduce emissions.

If you use an oxygenated fuel, be sure it is unleaded and meets the minimum octane rating requirement.

Before using an oxygenated fuel, try to confirm the fuel's contents. Some states/provinces require this information to be posted on the pump.

The following are the EPA-approved percentages of oxygenates:

ETHANOL (ethyl or grain alcohol)
You may use gasoline containing up to 10 percent ethanol by volume. Gasoline containing ethanol may be marketed under the name "Gasohol."

MTBE (Methyl Tertiary Butyl Ether)
You may use gasoline containing up to 15 percent MTBE by volume.

METHANOL (methyl or wood alcohol)
You may use gasoline containing up to 5 percent methanol by volume as long as it also contains cosolvents and corrosion inhibitors to protect the fuel system. Gasoline containing more than 5 percent methanol by volume may cause starting and/or performance problems. It may also damage metal, rubber and plastic parts of your fuel system.

If you notice any undesirable operating symptoms, try another service station or switch to another brand of gasoline.

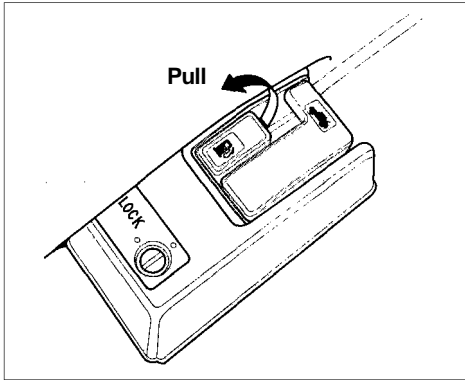
Fuel system damage or performance problems resulting from the use of an oxygenated fuel containing more than the percentages of oxygenates given above are not covered under warranty.

Driving in Foreign Countries
If you are planning to take your Honda outside the U.S. or Canada, contact the tourist bureaus in the areas you will be traveling in to find out about the availability of unleaded gasoline with the proper octane rating.

If unleaded gasoline is not available, be aware that using leaded gasoline in your Honda will affect performance and fuel mileage, and damage its emissions controls. It will no longer comply with U.S. and Canadian emissions regulations, and will be illegal to operate in North America. To bring your car back into compliance will require the replacement of several components, such as the oxygen sensor and the three way catalytic converter. These replacements are not covered under warranty.

Service Station Procedures

Filling the Fuel Tank

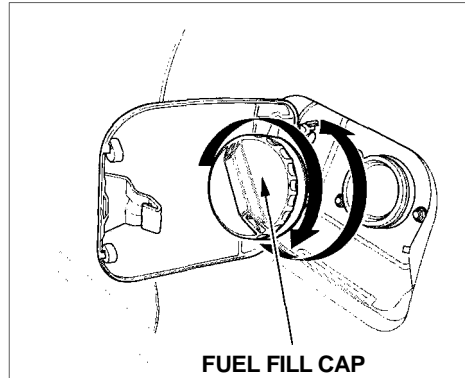


1. Because the fuel fill cap is on the driver's side of the car, park with that side closest to the service station pumps.
2. Open the fuel fill door by pulling on the handle to the left of the driver's seat.

⚠ WARNING

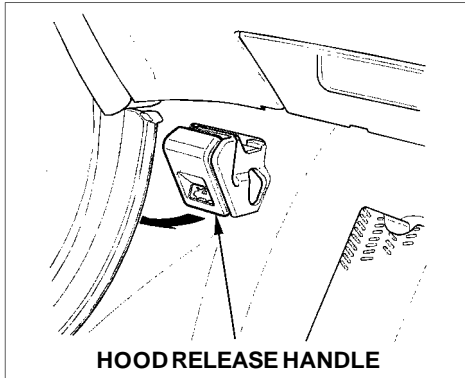
Gasoline is highly flammable and explosive. You can be burned or seriously injured when handling fuel.

Stop the engine and keep heat, sparks, and flame away. Handle fuel only outdoors. Wipe up spills immediately.

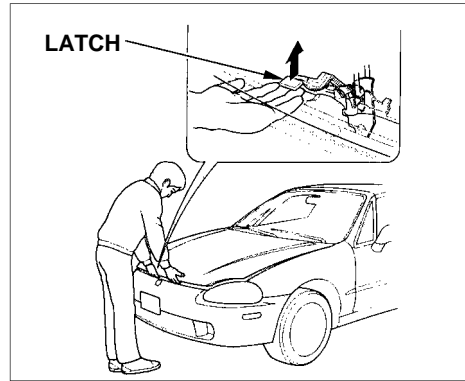


3. Remove the fuel fill cap slowly. You may hear a hissing sound as pressure inside the tank escapes.
4. Stop filling the tank after the fuel pump automatically clicks off. Do not try to "top off" the tank, leave some room for the fuel to expand with temperature changes.
5. Screw the fuel fill cap back on, tighten it until it clicks. If you do not properly tighten the cap, the Malfunction Indicator Lamp may come on (see page 190).
6. Push the fuel fill door closed until it latches.

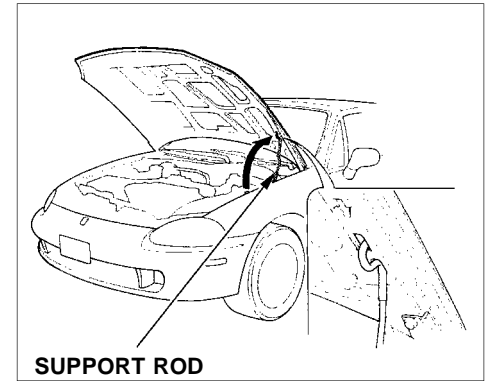
Opening the Hood



1. Shift to Park or Neutral and set the parking brake. Pull the hood release handle located under the lower left corner of the dashboard. The hood will pop up slightly.



2. Standing in front of the car, put your fingers under the front edge of the hood to the left of center. Slide your hand to the right until you feel the hood latch handle. Push this handle to the right until it releases the hood. Lift the hood.



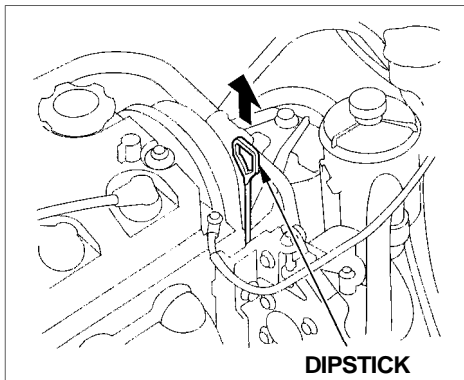
3. Pull the support rod out of its clip and insert the end into the hole on the driver's side of the hood.

CONTINUED

Service Station Procedures

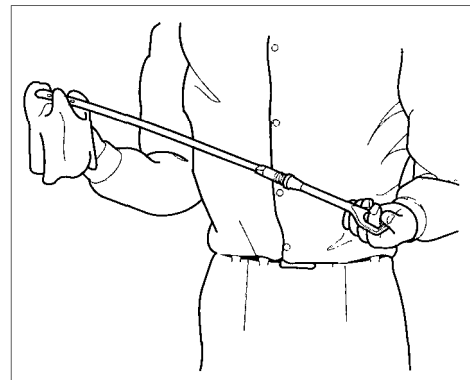
To close the hood, lift it up slightly to remove the support rod from the hole. Put the support rod back into its holding clip. Lower the hood to about a foot above the fender, then let it drop.

Oil Check

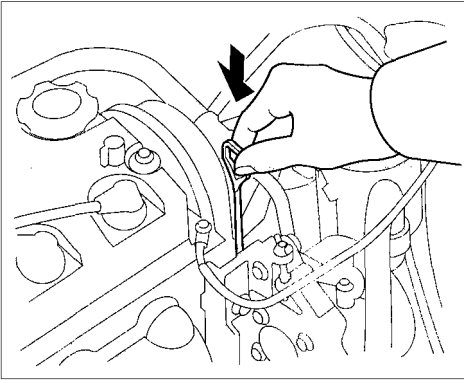


Check the engine oil level every time you fill the car with fuel. Wait at least two minutes after turning the engine off before you check the oil.

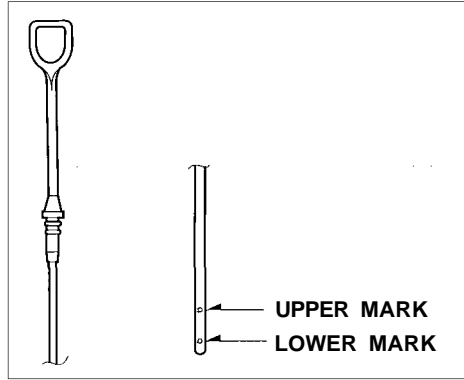
1. Remove the dipstick (orange handle).



2. Wipe the dipstick with a clean cloth or paper towel.



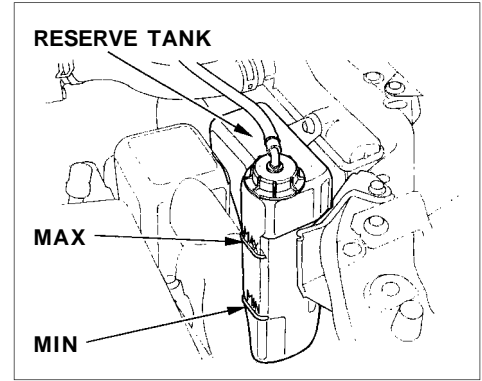
3. Insert it all the way back in its tube.



4. Remove the dipstick again and check the level. It should be between the upper and lower marks.

If it is near or below the lower mark, see **Adding Oil** on page [128](#).

Engine Coolant Check



Look at the coolant level in the radiator reserve tank. Make sure it is between the MAX and MIN lines. If it is below the MIN line, see **Adding Engine Coolant** on page [133](#) for information on adding the proper coolant.

Refer to **Owner Maintenance Checks** on page [126](#) for information on checking other items in your Honda.

Fuel Economy

The condition of your car and your driving habits are the two most important things that affect the fuel mileage you get.

Vehicle Condition

Always maintain your car according to the maintenance schedule. This will keep it in top operating condition.

An important part of that maintenance is the **Owner Maintenance Checks** (see page 126). For example, an underinflated tire causes more "rolling resistance," which uses fuel. It also wears out faster, so check the tire pressure at least monthly.

In winter, the build-up of snow on your car's underside adds weight and rolling resistance. Frequent cleaning helps your fuel mileage and reduces the chance of corrosion.

Driving Habits

You can improve fuel economy by driving moderately. Rapid acceleration, abrupt cornering, and hard braking use more fuel.

Always drive in the highest gear that allows the engine to run and accelerate smoothly.

Depending on traffic conditions, try to maintain a constant speed. Every time you slow down and speed up, your car uses extra fuel. Use the cruise control, when appropriate, to increase fuel economy.

A cold engine uses more fuel than a warm engine. It is not necessary to "warm-up" a cold engine by letting it idle for a long time. You can drive away in about a minute, no matter how cold it is outside. The engine will warm up faster, and you get better fuel economy. To cut down on the number of "cold starts," try to combine several short trips into one.

The air conditioning puts an extra load on the engine which makes it use more fuel. Turn off the A/C to cut down on air conditioning use. Use the flow-through ventilation when the outside air temperature is moderate.

Your Honda dealer has many accessories available to personalize your car. Some of these are audio systems, alloy wheels, air conditioning, and color-coordinated carpet floor mats. All Genuine Honda Accessories have been approved by our engineers for installation and use on your car, and are covered by warranty.

Some non-Honda accessories you can buy in the "aftermarket" are designed for universal applications. Although they may fit your Honda, they may not be within factory specifications. For example, aftermarket wheels may not meet Honda's specifications for width and offset. They could cause suspension problems that would not be covered by your warranty. Improperly-designed accessories can adversely affect your car's handling and stability.

Your car has several computer-controlled systems, including the SRS system, the engine's fuel injection, and the Anti-lock brake system. Strong electronic interference can affect their operation.

Electronic communications equipment, such as cellular telephones and two-way radios are regulated by the FCC (DOC in Canada) and should not interfere with your car's systems. Improper installation, or using electrical equipment not intended for mobile use may interfere with your car's operation. If you want to install a cellular telephone, other mobile communications equipment or even add-on stereo amplifiers, please discuss it first with your Honda dealer.

In many cases, improper installation is the real cause of problems with aftermarket accessories. Have these accessories installed by qualified technicians who are familiar with your Honda. If possible, have your Honda dealer inspect the final installation.

Loading Cargo

The maximum load you can carry in your Honda is 400 lbs (185 kg). It includes the total weight of all passengers and their belongings, and any accessories. This 400 lbs (185 kg) figure is shown as the Vehicle Capacity Weight on the tire information label attached to the inside of the glove box.

To figure out how much cargo you can carry:

- Figure the total "occupant weight" you will be transporting. To do this, multiply yourself and your passenger by 150 lbs (70 kg).
- Subtract this number from the Vehicle Capacity Weight (400 lbs/185 kg).

This final number is the total weight of cargo you can load in or on the car. With two occupants (a driver and a passenger), the maximum recommended weight for cargo is 100 lbs (45 kg).

Where you store this cargo, and how well you secure it, are just as important as how much it weighs. Make sure you load cargo so it will not shift while driving. Items stored in the cargo area should be stored as far forward as possible.

Never place items on top of the rear locking compartments behind the seats. Those items can fly forward and injure you or your passenger if you brake hard or are involved in a collision.

If you must carry large objects that prevent you from closing the trunk lid, be aware that exhaust gas can enter the interior. See **Carbon Monoxide Hazard** on page [26](#).

This section gives you tips on starting the engine under various conditions, and how to operate the 5-speed manual and automatic transmissions. It also includes important information on parking your car, and the braking system.

Preparing to Drive.....	100
Starting the Engine.....	101
Starting in Cold Weather at High Altitude	101
5-speed Manual Transmission.....	102
Recommended Shift Points.....	103
Maximum Speeds.....	103
Automatic Transmission.....	104
Shift Lever Position Indicator..	104
Shift Lever Positions.....	105
Maximum Speeds.....	107
Shift Lock Release.....	108
Parking.....	109
The Braking System.....	110
Brake Wear Indicators.....	110
Brake System Design.....	111
Anti-lock Brakes.....	111
ABS Indicator.....	113
Driving in Bad Weather.....	114
Towing a Trailer.....	116

Preparing to Drive

You should do the following checks and adjustments every day before you drive your car.

1. Make sure all windows, mirrors, and outside lights are clean and unobstructed. Remove frost, snow, or ice.
2. Check that the hood and trunk are fully closed, and the roof panel is secured.
3. Visually check the tires. If a tire looks low, use a gauge to check its pressure.
4. Check that any items you may be carrying with you inside are stored properly or fastened down securely.
5. Check the adjustment of the seat (see page 50).
6. Check the adjustment of the inside and outside mirrors (see page 60).
7. Check the adjustment of the steering wheel (see page 42).
8. Make sure the doors are securely closed and locked.
9. Fasten your seat belt. Check that your passenger has fastened his seat belt (see page 7).
10. Turn the ignition ON (II). Check the indicator lights in the instrument panel.
11. Start the engine (see page 101).
12. Check the gauges and indicator lights in the instrument panel (see page 31).

1. Apply the parking brake.
2. In cold weather, turn off all electrical accessories to reduce the drain on the battery.
3. *Manual Transmission:*
Push the clutch pedal down all the way. START (III) does not function unless the clutch pedal is depressed.

Automatic Transmission:
Make sure the shift lever is in Park. Press on the brake pedal.
4. Without touching the accelerator pedal, turn the ignition key to the START (III) position. If the engine does not start right away, do not hold the key in START (III) for more than 15 seconds at a time. Pause for at least 10 seconds before trying again.

5. If the engine does not start within 15 seconds, or starts but stalls right away, repeat step 4 with the accelerator pedal pressed half-way down. If the engine starts, release pressure on the accelerator pedal so the engine does not race.
6. If the engine still does not start, press the accelerator pedal all the way down and hold it there while starting in order to clear flooding. As before, keep the ignition key in the START (III) position for no more than 15 seconds. Return to step 5 if the engine does not start. If it starts, lift your foot off the accelerator pedal so the engine does not race.

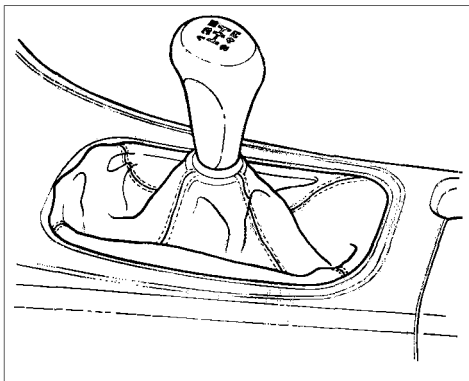
Starting in Cold Weather at High Altitude (Above 8,000 feet/ 2,400 meters)

An engine is harder to start in cold weather. The thinner air found at high altitude above 8,000 feet (2,400

meters) adds to the problem. Use the following procedure:

1. Turn off all electrical accessories to reduce the drain on the battery.
2. Push the accelerator pedal half-way to the floor and hold it there while starting the engine. Do not hold the ignition key in START (III) for more than 15 seconds. When the engine starts, release the accelerator pedal gradually as the engine speeds up and smooths out.
3. If the engine fails to start in step 2, push the accelerator pedal to the floor and hold it there while you try to start the engine for no more than 15 seconds. If the engine does not start, return to step 2.

5-speed Manual Transmission



The manual transmission is synchronized in all forward gears for smooth operation. It has a lockout so you cannot shift directly from Fifth to Reverse. When shifting up or down, make sure you push the clutch pedal down all the way, shift to the next gear, and let the pedal up gradually. When you are not shifting, do not rest your foot on the clutch pedal. This can cause your clutch to wear out faster.

Come to a full stop before you shift into Reverse. You can damage the transmission by trying to shift into Reverse with the car moving. Push down the clutch pedal, and pause for a few seconds before shifting into Reverse, or shift into one of the forward gears for a moment. This stops the gears so they won't "grind".

When slowing down, you can get extra braking from the engine by shifting to a lower gear. This extra braking can help you maintain a safe speed and prevent your brakes from overheating while going down a steep hill. Before downshifting, make sure engine speed will not go into the tachometer's red zone in the lower gear. Refer to the Maximum Speeds chart.

WARNING

Rapid slowing or speeding-up can cause loss of control on slippery surfaces. If you crash, you can be injured.

Use extra care when driving on slippery surfaces.

5-speed Manual Transmission

Recommended Shift Points

Drive in the highest gear that lets the engine run and accelerate smoothly. This will give you the best fuel economy and effective emissions control. The following shift points are recommended:

(S,Si)

Shift up	Normal acceleration
1st to 2nd	15 mph (24 km/h)
2nd to 3rd	27 mph (43 km/h)
3rd to 4th	39 mph (63 km/h)
4th to 5th	53 mph (85 km/h)

Shift up	Cruise from acceleration
1st to 2nd	9 mph (14 km/h)
2nd to 3rd	20 mph (32 km/h)
3rd to 4th	33 mph (53 km/h)
4th to 5th	48 mph (77 km/h)

(VTEC)

Shift up	Normal acceleration
1st to 2nd	14 mph (22 km/h)
2nd to 3rd	25 mph (40 km/h)
3rd to 4th	40 mph (64 km/h)
4th to 5th	49 mph (78 km/h)

Shift up	Cruise from acceleration
1st to 2nd	7 mph (11 km/h)
2nd to 3rd	23 mph (37 km/h)
3rd to 4th	33 mph (53 km/h)
4th to 5th	45 mph (72 km/h)

Maximum Speeds

The speeds in this table are the maximums for the given gears. If you exceed these speeds, the engine speed will enter into the tachometer's red zone. If this occurs, you may feel the engine cut in and out. This is caused by a limiter in the engine's computer controls. The engine will run normally when you reduce the RPM below the red zone.

(S)

Gear	Maximum speeds
1st	34 mph (54 km/h)
2nd	62 mph (99 km/h)
3rd	94 mph (151 km/h)
4th	Top speed
5th	Top speed

CONTINUED

5-speed Manual Transmission, Automatic Transmission

(Si)

Gear	Maximum speeds
1st	32 mph (52 km/h)
2nd	55 mph (89 km/h)
3rd	85 mph (136 km/h)
4th	Top speed
5th	Top speed

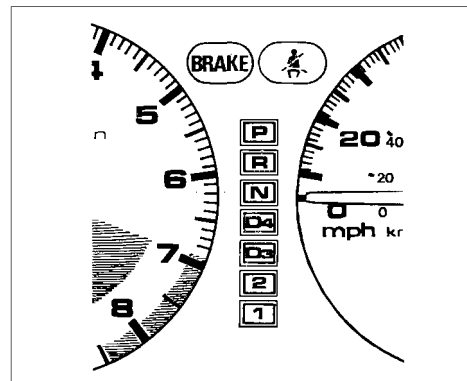
(VTEC)

Gear	Maximum speeds
1st	37 mph (60 km/h)
2nd	63 mph (102 km/h)
3rd	89 mph (143 km/h)
4th	Top speed
5th	Top speed

Automatic Transmission

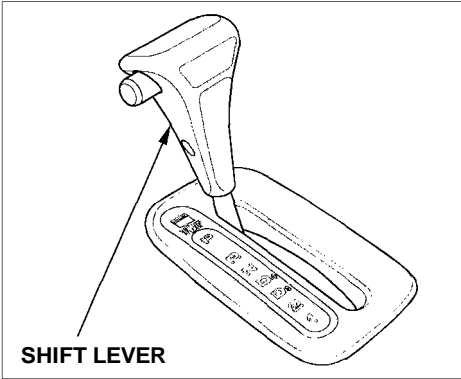
Your Honda's transmission has four forward speeds. It has a "lock-up" torque converter for better fuel economy. You may feel what seems like another shift when the converter locks.

Shift Lever Position Indicator



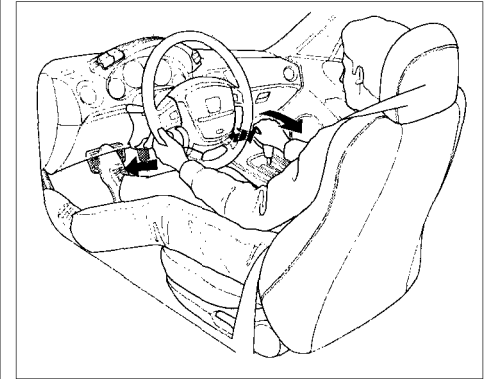
This indicator on the instrument panel shows which shift position is in.

Shift Lever Positions



The shift lever has seven positions. It must be in Park or Neutral to start the engine. When you are stopped in D₄, D₃, 2, 1, N or R, press firmly on the brake pedal, and keep your foot off the accelerator pedal.

To shift from:	Do this:
P to R	Press the brake pedal and press the release button.
R to P N to R D ₃ to 2 2 to 1	Press the release button.
1 to 2 2 to D ₃ D ₃ to D ₄ D ₄ to N D ₄ to D ₃ N to D ₄ R to N	Move the lever.



Park (P) — This position mechanically locks the transmission. Use Park whenever you are turning off or starting the engine. To shift out of Park, you must press on the brake pedal and have your foot off the accelerator pedal. Press the release button on the side of the shift lever to move it.

CONTINUED

Automatic Transmission

If you have done all of the above and still cannot move the lever out of Park, see Shift Lock Release on page 108.

You must also press the release button to shift into Park. To avoid transmission damage, come to a complete stop before shifting into Park. The shift lever must be in Park before you can remove the key from the ignition switch.

Reverse (R) — To shift to Reverse from Park, see the explanation under Park. To shift to Reverse from Neutral, come to a complete stop and then shift. Press the release button before shifting into Reverse from Neutral.

Neutral (N) — Use Neutral if you need to restart a stalled engine, or if it is necessary to stop briefly with the engine idling. Shift to Park position if you need to leave the car for any reason. Press on the brake pedal when you are moving the shift lever from Neutral to another gear.

Drive (D4) — Use this position for your normal driving. The transmission automatically selects a suitable gear for your speed and acceleration.

Drive (D3) — This position is similar to D4, except only the first three gears are selected. Use D3 to provide engine braking when going down a steep hill. D3 can also keep the transmission from cycling between third and fourth gears in stop-and-go driving.

For faster acceleration when in D3 or D4, you can get the transmission to automatically downshift by pushing the accelerator pedal to the floor. The transmission will shift down one or two gears, depending on your speed.

Second (2) — To shift to Second, press the release button on the side of the shift lever. This position locks the transmission in second gear. It does not downshift to first gear when you come to a stop. Second gives you more power when climbing, and increased engine braking when going down steep hills. Use second gear when starting out on a slippery surface or in deep snow. It will help reduce wheelspin.

Whenever you move the shift lever to a lower gear, the transmission downshifts only if the engine's redline will not be exceeded in the lower gear.

First (1) — To shift from Second to First, press the release button on the side of the shift lever. With the lever in this position, the transmission locks in First gear. By upshifting and downshifting through 1, 2, D₃ and D₄, you can operate this transmission much like a manual transmission without a clutch pedal.

Maximum Speeds

The speeds in this table are the maximums for the given position. If you exceed these speeds, the engine speed will enter into the tachometer's red zone. If this occurs, you will feel the engine cut in and out. This is caused by a limiter in the engine's computer controls. The engine will run normally when you reduce the RPM below the red zone.

(S)

Position	Maximum speeds
1	36 mph (58 km/h)
2	65 mph (105 km/h)
D ₃	110 mph (177 km/h)
D ₄	Top speed

(Si)

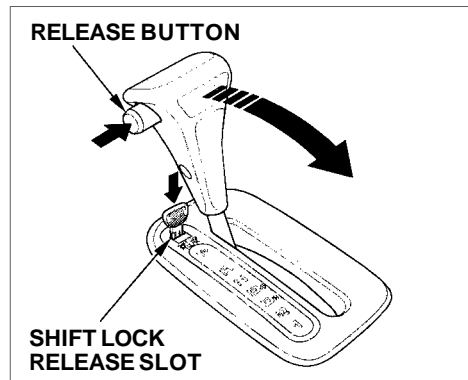
Position	Maximum speeds
1	37 mph (59 km/h)
2	66 mph (106 km/h)
D ₃	106 mph (170 km/h)
D ₄	Top speed

Automatic Transmission

Shift Lock Release

This allows you to move the shift lever out of Park if the normal method of pushing on the brake pedal and pressing the release button does not work.

1. Set the Parking brake.
2. Remove the key from the ignition switch.



3. Insert the key in the Shift Lock Release slot next to the shift lever.
4. Push down on the key while you press the release button and move the shift lever out of Park to Neutral.

5. Remove the key from the Shift Lock Release slot. Depress the brake pedal and restart the engine.

If you need to use the Shift Lock Release, it means your car is developing a problem. Have the car checked by your Honda dealer.

Always use the parking brake when you park your vehicle. The indicator on the instrument panel shows that the parking brake is not fully released; it does not indicate that the parking brake is firmly set. Make sure the parking brake is set firmly or your vehicle may roll if it is parked on an incline.

If your vehicle has an automatic transmission, set the parking brake before you put the transmission in Park. This keeps the vehicle from moving and putting pressure on the parking mechanism in the transmission — making it easier to move the shift lever out of Park when you want to drive away.

If the vehicle is facing uphill, turn the front wheels away from the curb. If you have a manual transmission, put it in first gear.

If the vehicle is facing downhill turn the front wheels toward the curb. If you have a manual transmission, put it in reverse gear.

Make sure the parking brake is fully released before driving away. Driving with the parking brake partially set can overheat or damage the rear brakes, and will cause the ABS indicator to light.

Parking Tips

- Make sure the moonroof and the windows are closed.
- Turn off the lights.
- Place any packages, valuables, etc., in the trunk or take them with you.
- Lock the doors.
- Never park over dry leaves, tall grass, or other flammable materials. The three way catalytic converter gets very hot, and could cause these materials to catch on fire.

The Braking System

Your Honda is equipped with front disc brakes. The brakes on the rear wheels may be disc or drum, depending on model. A power assist helps reduce the effort needed on the brake pedal.

Put your foot on the brake pedal only when you intend to brake. Resting your foot on the pedal keeps the brakes applied lightly, causing them to build up heat. Heat build-up can reduce how well your brakes work. It also keeps your brake lights on all the time, confusing drivers behind you.

Constant application of the brakes when going down a long hill builds up heat and reduces their effectiveness. Use the engine to assist the brakes by downshifting to a lower gear and taking your foot off the accelerator pedal.

Check your brakes after driving through deep water. Apply the brakes moderately to see if they feel normal. If not, apply them gently and frequently until they do. Since a longer distance is needed to stop with wet brakes, be extra cautious and alert in your driving.

Brake Wear Indicators

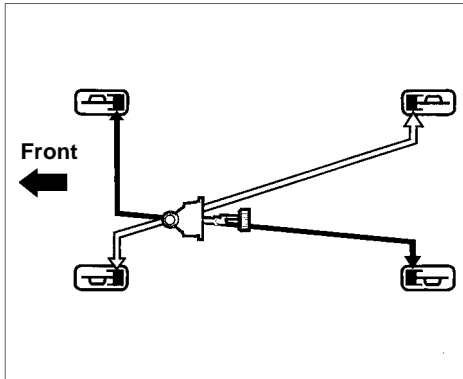
The front disc brakes on all cars have audible brake wear indicators. They are also on the rear brakes of the Si and VTEC models.

When the brake pads need replacing, you will hear a distinctive metallic "screeching" sound when you apply the brakes. If you do not have the brake pads replaced, they will begin screeching all the time.

Your brakes may sometimes squeal or squeak when you apply them lightly. Do not confuse this with the brake wear indicators. They make a very audible "screeching".

Brake System Design

The hydraulic system that operates the brakes has two separate circuits. Each circuit works diagonally across the car (the left-front brake is connected with the right-rear brake, etc.). If one circuit should develop a problem, you will still have braking at two wheels.



If this happens, you will immediately notice that the brake pedal goes down much farther and you need to press on it much harder. A much longer distance will be needed to stop the car.

Slow the car by downshifting to a lower gear and removing your foot from the accelerator pedal. Pull to the side of the road as soon as it is safe. Because of the longer stopping distance needed, brake system failure is very hazardous. You should have your car towed, but if you must drive the car in this condition, be extremely cautious. Have your car repaired as soon as possible.

Anti-lock Brakes

The VTEC model has an Anti-lock Brake System (ABS) as standard equipment. It is optional on the U.S. Si model.

ABS helps to prevent the wheels from locking up and skidding during hard braking, allowing you to retain steering control.

When the front tires skid, you lose steering control; the car continues straight ahead even though you turn the steering wheel. The ABS helps to prevent lock-up and retain steering control by pumping the brakes rapidly; much faster than a person can do it.

CONTINUED

The Braking System

You should never pump the brake pedal, this defeats the purpose of the ABS. Let the ABS work for you by always keeping firm, steady pressure on the brake pedal as you steer away from the hazard. This is sometimes referred to as "*stomp and steer.*"

You will feel a pulsation in the brake pedal when the ABS activates, and you may hear some noise. This is normal, it is the ABS rapidly pumping the brakes.

Activation varies with the amount of traction your tires have. On dry pavement, you will need to press on the brake pedal very hard before you activate the ABS. However, you may feel the ABS activate immediately if you are trying to stop on snow or ice.

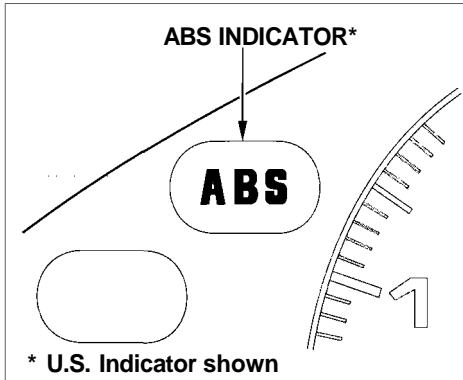
Important Safety Reminders
ABS does not reduce the time or distance it takes to stop the car, it only helps with steering control during braking. You should always maintain a safe following distance from other vehicles.

ABS will not prevent a skid that results from changing direction abruptly, such as trying to take a corner too fast or making a sudden lane change. Always drive at a safe, prudent speed for the road and weather conditions.

ABS cannot prevent a loss of stability. Always steer moderately when you are braking hard. Severe or sharp steering wheel movement can still cause your vehicle to veer into oncoming traffic or off the road.

A vehicle with ABS may require a longer distance to stop on loose or uneven surfaces, such as gravel or snow, than a vehicle without anti-lock. Slow down and allow a greater distance between vehicles under those conditions.

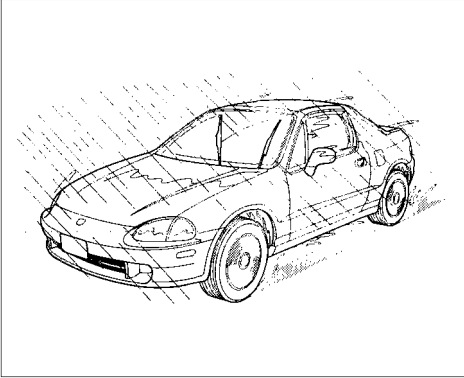
ABS Indicator



The ABS is self-checking. You may feel a slight movement of the brake pedal just after you start the engine. This is the ABS performing a check. It also checks itself whenever you use the brakes.

If anything goes wrong, the ABS indicator on the instrument panel comes on (see page 34). This means the anti-lock function of the braking system has shut down. The brakes still work like a conventional system without anti-lock, providing normal stopping ability. You should have the dealer inspect your vehicle as soon as possible if this light stays on after you start the engine, or comes on while driving.

Driving in Bad Weather



Rain, fog, and snow conditions require a different driving technique because of reduced traction and visibility. Keep your car well-maintained and exercise greater caution when you need to drive in bad weather. The cruise control should not be used in these conditions.

Driving Technique — Always drive slower than you would in dry weather. It takes your car longer to react, even in conditions that may seem just barely damp. Apply smooth, even pressure to all the controls. Abrupt steering wheel movements or sudden, hard application of the brakes can cause loss of control in wet weather. Be extra cautious for the first few miles (kilometers) of driving while you adjust to the change in driving conditions. This is especially true in snow. A person can forget some snow-driving techniques during the summer months. Practice is needed to relearn those skills.

Exercise extra caution when driving in rain after a long dry spell. After months of dry weather, the first rains bring oil to the surface of the roadway, making it slippery.

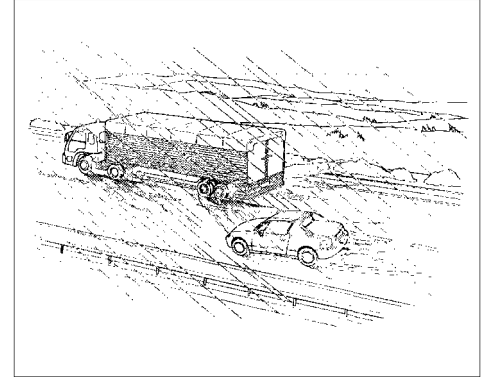
Visibility — Being able to see clearly in all directions and being visible to other drivers are important in all weather conditions. This is more difficult in bad weather. To be seen more clearly during daylight hours, turn on your headlights.

Inspect your windshield wipers and washers frequently. Keep the windshield washer reservoir full of the proper fluid. Have the windshield wiper blades replaced if they start to streak the windshield or leave parts unwiped. Use the defrosters and air conditioning to keep the windows from fogging up on the inside (see page 73).

Traction — Check your tires frequently for wear and proper pressure. Both are important in preventing "hydroplaning" (loss of traction on a wet surface). In the winter, mount snow tires on all four wheels for the best handling.

Watch road conditions carefully, they can change from moment to moment. Wet leaves can be as slippery as ice. "Clear" roads can have patches of ice. Driving conditions can be very hazardous when the outside temperature is near freezing. The road surface can become covered with areas of water puddles mixed with areas of ice, so your traction can change without warning.

Be careful when downshifting. If traction is low, you can lock up the drive wheels for a moment and cause a skid.



Be very cautious when passing, or being passed by, other vehicles. The spray from large vehicles reduces your visibility, and the wind buffeting can cause you to lose control.

Towing a Trailer

Your car is not designed to tow a trailer. Attempting to do so can void your warranties.

This section explains why it is important to keep your car well maintained and to follow basic maintenance safety precautions.

This section also includes Maintenance Schedules for normal driving and severe driving conditions, a Maintenance Record, and instructions for simple maintenance tasks you may want to take care of yourself.

If you have the skills and tools to perform more complex maintenance tasks on your Honda, you may want to purchase the Service Manual. See page 215 for information on how to obtain a copy, or see your Honda dealer.

Maintenance Safety.....	118	Power Steering.....	143
Important Safety Precautions ..	119	Air Cleaner Element.....	144
Maintenance Schedule.....	120	Spark Plugs.....	146
Maintenance Record.....	124	Replacement.....	146
Owner Maintenance Checks.....	126	Specifications.....	148
Fluid Locations.....	127	Battery.....	148
Engine Oil.....	128	Windshield Wipers.....	151
Adding Oil.....	128	Air Conditioning System.....	153
Recommended Oil.....	128	Removable Roof Panel.....	154
Synthetic Oil.....	130	Drive Belts.....	155
Additives.....	130	Timing Belt.....	155
Changing the Oil and Filter.....	130	Tires.....	156
Cooling System.....	133	Inflation.....	156
Adding Engine Coolant.....	133	Inspection.....	157
Replacing Engine Coolant.....	135	Maintenance.....	158
Windshield Washers.....	138	Tire Rotation.....	159
Transmission Fluid.....	139	Replacing Tires and Wheels....	159
Automatic		Wheels and Tires.....	160
Transmission.....	139	Winter Driving.....	160
5-speed Manual		Snow Tires.....	161
Transmission.....	140	Tire Chains.....	161
Brake and Clutch Fluid.....	141	Lights.....	162
Brake Fluid.....	141	Replacing Bulbs.....	162
Brake System.....	141	Storing Your Car.....	168
Anti-lock Brake System.....	142		
Clutch System.....	142		

Maintenance Safety

Regularly maintaining your car is the best way to protect your investment. Proper maintenance is essential to your safety and the safety of your passengers. It will also reward you with more economical, trouble-free driving and help reduce air pollution.

WARNING

Improperly maintaining this car or failing to correct a problem before driving can cause a crash in which you can be seriously hurt or killed.

Always follow the inspection and maintenance recommendations and schedules in this owner's manual.

This section includes instructions for simple maintenance tasks, such as checking and adding oil. Any service items not detailed in this section should be performed by a Honda technician or other qualified mechanic.

Some of the most important safety precautions are given here. However, we cannot warn you of every conceivable hazard that can arise in performing maintenance. Only you can decide whether or not you should perform a given task.

WARNING

Failure to properly follow maintenance instructions and precautions can cause you to be seriously hurt or killed.

Always follow the procedures and precautions in this owner's manual.

Important Safety Precautions

Before you begin any maintenance, make sure your car is parked on level ground and that the parking brake is on. Also, be sure the engine is off. This will help to eliminate several potential hazards:

- **Carbon monoxide poisoning from engine exhaust.** Be sure there is adequate ventilation whenever you operate the engine.
- **Burns from hot parts.** Let the engine and exhaust system cool before touching any parts.
- **Injury from moving parts.** Do not run the engine unless instructed to do so.

Read the instructions before you begin, and make sure you have the tools and skills required.

To reduce the possibility of fire or explosion, be careful when working around gasoline or batteries. Use a nonflammable solvent, not gasoline, to clean parts. Keep cigarettes, sparks, and flames away from the battery and all fuel-related parts.

You should wear eye protection and protective clothing when working near the battery or when using compressed air.

Maintenance Schedule

The Maintenance Schedule specifies how often you should have your car serviced and what things need attention. It is essential that you have your car serviced as scheduled to retain its high level of safety, dependability, and emission control performance.

The services and time or distance intervals shown in the maintenance schedule assume you will use your car as normal transportation for passengers and their possessions. You should also follow these recommendations:

- Avoid exceeding your car's load limit. This puts excess stress on the engine, brakes, and many other parts of your car. The load limit is shown on the label in the glove box.
- Operate your car on reasonable roads within the legal speed limit.
- Drive your car regularly over a distance of several miles (kilometers).
- Always use unleaded gasoline with the proper octane rating (see page [90](#)).

Which Schedule to Follow:

Service your car according to the time and mileage periods on one of the Maintenance Schedules on the following pages. Select the schedule for "Severe Conditions" if most of your driving is done under one or more of the conditions listed on that page. Otherwise, follow the schedule for "Normal Conditions."

Your authorized Honda dealer knows your car best and can provide competent, efficient service. However, service at a dealer is not mandatory to keep your warranties in effect. Maintenance may be done by any qualified service facility or person who is skilled in this type of automotive service. Keep all the receipts as proof of completion, and have the person who does the work fill out the Maintenance Record. Check your warranty booklet for more information.

We recommend the use of Genuine Honda parts and fluids whenever you have maintenance done. These are manufactured to the same high-quality standards as the original components, so you can be confident of their performance and durability.

U.S. Cars:

Maintenance, replacement or repair of emission control devices and systems may be done by any automotive repair establishment or individual using parts that are "certified" to EPA standards.

According to state and federal regulations, failure to perform maintenance on the items marked with an asterisk (*) will not void your emissions warranties. However, Honda recommends that all maintenance services be performed at the recommended time or mileage period to ensure long-term reliability.

Maintenance Schedule (Normal Conditions)

Service at the indicated distance or time – whichever comes first.	miles x 1,000	15	30	45	60	75	90	105	120	
	km x 1,000	24	48	72	96	120	144	168	192	
	months	12	24	36	48	60	72	84	96	
Replace engine oil	Replace every 7,500 miles (12,000 km) or 12 months									
Replace engine oil filter	•	•	•	•	•	•	•	•	•	
Check engine oil and coolant	Check oil and coolant at each fuel stop									
Replace air cleaner element		•		•		•		•		
Inspect valve clearance	S, Si VTEC	At 30,000 miles (48,000 km) only								
Replace spark plugs (non-platinum – S, Si)		•		•		•		•		
Replace spark plugs (platinum type – VTEC)	Replace every 60,000 miles (96,000 km) or 72 months									
Replace timing belt* and inspect water pump								•		
Inspect and adjust drive belts		•		•		•		•		
Inspect idle speed								•		
Replace engine coolant			•		•		•		•	
Replace transmission fluid							•			
Inspect front and rear brakes	•	•	•	•	•	•	•	•	•	
Replace brake fluid (including ABS)			•		•		•		•	
Check parking brake adjustment	•	•	•	•	•	•	•	•	•	
Rotate tires (Check tire inflation and condition at least once per month)	Rotate tires every 7,500 miles (12,000 km)									
Inspect supplemental restraint system	10 years after production									
Visually inspect the following items:										
Tie rod ends, steering gear box, and boots										
Suspension components										
Driveshaft boots										
Brake hoses and lines (including ABS)	•	•	•	•	•	•	•	•	•	
All fluid levels and condition of fluids										
Cooling system hoses and connections										
Exhaust system*										
Fuel lines and connections*										

Follow the Normal Maintenance Schedule if the severe driving conditions specified in the Severe Conditions Maintenance Schedule on the next page do not apply.

NOTE: If you only *OCCASIONALLY* drive under a "severe" condition, you should follow the Normal Conditions Maintenance Schedule.

Maintenance Schedule (Severe Conditions)

Service at the indicated distance or time — whichever comes first.	miles x 1,000	15	30	45	60	75	90	105	120	
	km x 1,000	24	48	72	96	120	144	168	192	
	months	12	24	36	48	60	72	84	96	
Replace engine oil and oil filter	Replace every 3,750 miles (6,000 km) or 6 months									
Check engine oil and coolant	Check oil and coolant at each fuel stop									
Replace air cleaner element	●	●	●	●	●	●	●	●	●	
Use normal schedule except in dusty conditons										
Inspect valve clearance	S, Si	At 30,000 miles (48,000 km) only								
	VTEC	●	●	●	●	●	●	●	●	
Replace spark plugs (non-platinum – S, Si)	●	●	●	●	●	●	●	●	●	
Replace spark plugs (platinum type – VTEC)	Replace every 60,000 miles (96,000 km) or 72 months									
Replace timing belt* ¹ and inspect water pump	●	●	●	●	●	●	●	●	●	
Inspect and adjust drive belts	●	●	●	●	●	●	●	●	●	
Inspect idle speed	●	●	●	●	●	●	●	●	●	
Replace engine coolant	●	●	●	●	●	●	●	●	●	
Replace transmission fluid	●	●	●	●	●	●	●	●	●	
Inspect front and rear brakes	Inspect every 7,500 miles (12,000 km) or 6 months									
Replace brake fluid (including ABS)	●	●	●	●	●	●	●	●	●	
Check parking brake adjustment	●	●	●	●	●	●	●	●	●	
Lubricate locks and hinges	●	●	●	●	●	●	●	●	●	
Clean antenna mast	●	●	●	●	●	●	●	●	●	
Rotate tires (Check tire inflation and condition at least once per month)	Rotate tires every 7,500 miles (12,000 km)									
Inspect supplemental restraint system	10 years after production									
Visually inspect the following items:										
Tie rod ends, steering gear box, and boots Suspension components, Driveshaft boots	Every 7,500 miles (12,000 km) or 6 months									
Brake hoses and lines (including ABS)	●	●	●	●	●	●	●	●	●	
All fluid levels and conditions of fluids	●	●	●	●	●	●	●	●	●	
Cooling system hoses and connections	●	●	●	●	●	●	●	●	●	
Exhaust system*	●	●	●	●	●	●	●	●	●	
Fuel lines and connections*	●	●	●	●	●	●	●	●	●	
Light and controls, Vehicle underbody	●	●	●	●	●	●	●	●	●	

Follow the Severe Maintenance Schedule if you drive your vehicle *MAINLY* under one or more of the following conditions:

- Driving less than 5 miles (8 km) per trip or, in freezing temperatures, driving less than 10 miles (16 km) per trip.
- Driving in hot [over 90°F (32° C)] conditions.
- Extensive idling or long periods of stop-and-go driving.
- Trailer towing, driving with a car-top carrier, or driving in mountainous conditions.
- Driving on muddy, dusty, or de-iced roads.

For Canadian Owners

Follow the Maintenance Schedule for Severe Conditions.

* 1 : Refer to page 155 for replacement information under special driving conditions.

Required Maintenance Record

Have your servicing dealer record all Required Maintenance below. Keep receipts for all work done on your car.

7,500 Mi. 12,000 km (or 6 Mo.)	(Sign or Stamp)	Mi. (Km)
		Date
15,000 Mi. 24,000 km (or 12 Mo.)	(Sign or Stamp)	Mi. (Km)
		Date
22,500 Mi. 36,000 km (or 18 Mo.)	(Sign or Stamp)	Mi. (Km)
		Date
30,000 Mi. 48,000 km (or 24 Mo.)	(Sign or Stamp)	Mi. (Km)
		Date
37,500 Mi. 60,000 km (or 30 Mo.)	(Sign or Stamp)	Mi. (Km)
		Date
45,000 Mi. 72,000 km (or 36 Mo.)	(Sign or Stamp)	Mi. (Km)
		Date
52,500 Mi. 84,000 km (or 42 Mo.)	(Sign or Stamp)	Mi. (Km)
		Date
60,000 Mi. 96,000 km (or 48 Mo.)	(Sign or Stamp)	Mi. (Km)
		Date

67,500 Mi. 108,000 km (or 54 Mo.)	(Sign or Stamp)	Mi. (Km)
		Date
75,000 Mi. 120,000 km (or 60 Mo.)	(Sign or Stamp)	Mi. (Km)
		Date
82,500 Mi. 132,000 km (or 66 Mo.)	(Sign or Stamp)	Mi. (Km)
		Date
90,000 Mi. 144,000 km (or 72 Mo.)	(Sign or Stamp)	Mi. (Km)
		Date
97,500 Mi. 156,000 km (or 78 Mo.)	(Sign or Stamp)	Mi. (Km)
		Date
105,000 Mi. 168,000 km (or 84 Mo.)	(Sign or Stamp)	Mi. (Km)
		Date
112,500 Mi. 180,000 km (or 90 Mo.)	(Sign or Stamp)	Mi. (Km)
		Date
120,000 Mi. 192,000 km (or 96 Mo.)	(Sign or Stamp)	Mi. (Km)
		Date

Non-Scheduled Maintenance Record

Record additional maintenance for severe driving conditions or non-scheduled maintenance on this page (see page 121).

Maintenance Performed:	(Sign or Stamp)	Mi. (Km)
		Date
Maintenance Performed:	(Sign or Stamp)	Mi. (Km)
		Date
Maintenance Performed:	(Sign or Stamp)	Mi. (Km)
		Date
Maintenance Performed:	(Sign or Stamp)	Mi. (Km)
		Date
Maintenance Performed:	(Sign or Stamp)	Mi. (Km)
		Date
Maintenance Performed:	(Sign or Stamp)	Mi. (Km)
		Date
Maintenance Performed:	(Sign or Stamp)	Mi. (Km)
		Date

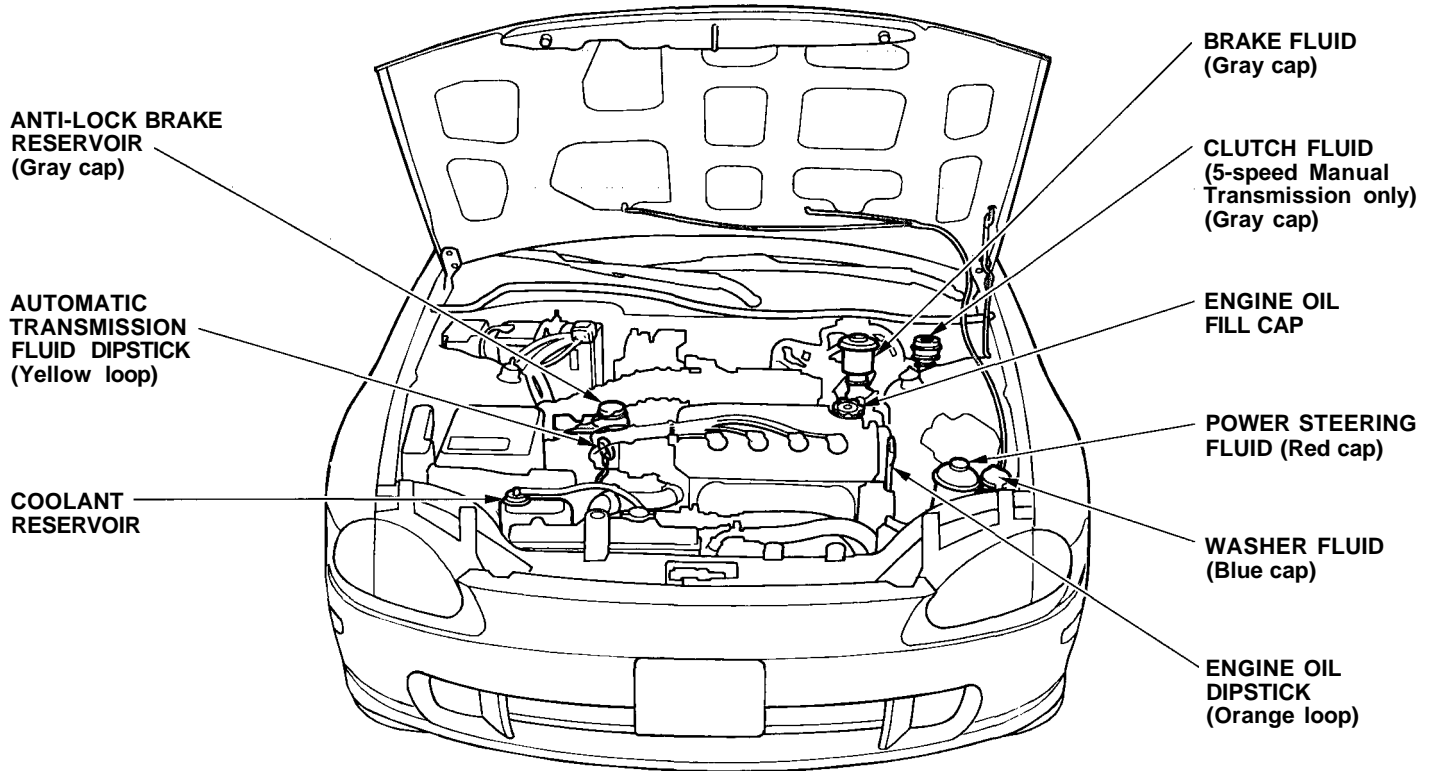
Maintenance Performed:	(Sign or Stamp)	Mi. (Km)
		Date
Maintenance Performed:	(Sign or Stamp)	Mi. (Km)
		Date
Maintenance Performed:	(Sign or Stamp)	Mi. (Km)
		Date
Maintenance Performed:	(Sign or Stamp)	Mi. (Km)
		Date
Maintenance Performed:	(Sign or Stamp)	Mi. (Km)
		Date
Maintenance Performed:	(Sign or Stamp)	Mi. (Km)
		Date
Maintenance Performed:	(Sign or Stamp)	Mi. (Km)
		Date

Owner Maintenance Checks

You should check the following items at the specified intervals. If you are unsure of how to perform any check, turn to the page given.

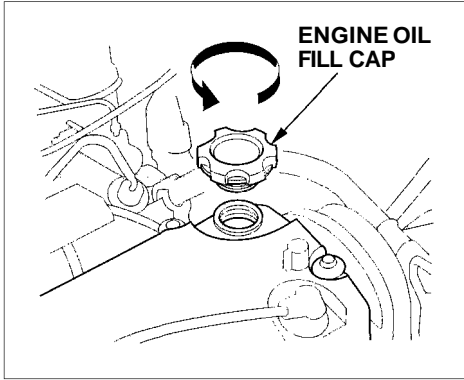
- Engine oil level — Check every time you fill the fuel tank. See page [94](#) .
- Engine coolant level — Check the radiator reserve tank every time you fill the fuel tank. See page [95](#) .
- Windshield washer fluid — Check the level in the reservoir monthly. If weather conditions cause you to use the washers frequently, check the reservoir each time you stop for fuel. See page [138](#).
- Automatic transmission — Check the fluid level monthly. See page [139](#).
- Brakes — Check the fluid level monthly. See pages [141](#) and [142](#).
- Tires — Check the tire pressure monthly. Examine the tread for wear and foreign objects. See page [155](#).
- Lights — Check the operation of the headlights, parking lights, taillights, high-mount brake light, turn signals, brake lights, and license plate lights monthly. See page [162](#).

Fluid Locations



Engine Oil

Adding Oil



To add oil, unscrew and remove the engine oil fill cap on top of the valve cover. Pour in the oil, and replace the engine oil fill cap. Tighten it securely. Wait a few minutes and recheck the oil level. Do not fill above the upper mark; you could damage the engine.

Recommended Oil

Oil is a major contributor to your engine's performance and longevity. Always use a premium-grade detergent oil.

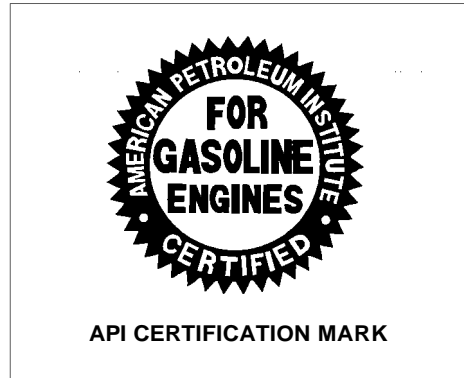
You can determine an oil's SAE viscosity and Service Classification from the API Service label on the oil container.

A fuel-efficient oil is recommended for your Honda. This is shown on the API Service label by the words "Energy Conserving II." This oil is formulated to help your engine use less fuel.

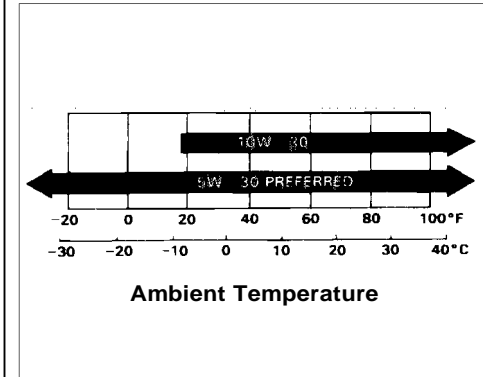
The API Service label also tells you the service classification of the oil. Always use an oil that says "API Service SH." This service rating may also include other designations, such as CD. These additional classifications are not a problem, as long as the label also carries the SH classification. An oil that is only classified SF is not recommended.



The oil container may also display the API Certification mark shown below. Make sure it says "For Gasoline Engines."



The SAE numbers tell you the oil's viscosity or weight. Select the oil for your car according to this chart.



An oil with a viscosity of 5W-30 is preferred for improved fuel economy and year-round protection in your Honda. You may use a 10W-30 oil if the temperature in your area never goes below 20°F (—7°C).

Engine Oil

Synthetic Oil

You may use a synthetic motor oil if it meets the same requirements given for conventional motor oil; energy conserving, a service classification of SH, and the proper weight as shown on the chart. When using synthetic oil, you must follow the oil and filter change intervals given in the maintenance schedule.

Additives

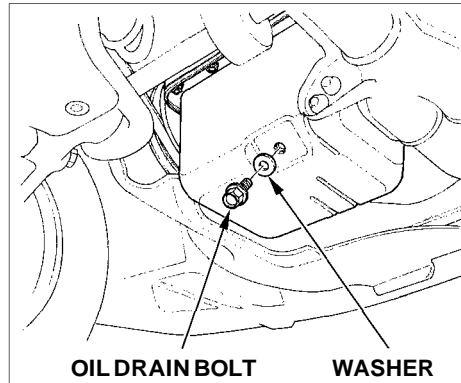
Your Honda does not need any oil additives. Purchasing additives for the engine or transmission will not increase your car's performance or longevity. It only increases the cost of operating your car.

Changing the Oil and Filter

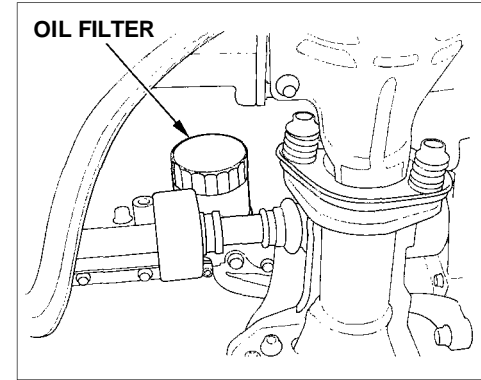
Always change the oil and filter according to the time and distance (miles/kilometers) recommendations in the maintenance schedule. The oil and filter collect contaminants that can damage your engine if they are not removed regularly.

Changing the oil and filter requires special tools and access from underneath the car. The car should be raised on a service station-type hydraulic lift for this service. Unless you have the knowledge and proper equipment, you should have this maintenance done by a skilled mechanic.

1. Run the engine until it reaches normal operating temperature, then shut it off.



2. Open the hood and remove the engine oil fill cap. Remove the oil drain bolt and washer from the bottom of the engine. Drain the oil into an appropriate container.



3. Remove the oil filter and let the remaining oil drain. A special wrench (available from your Honda dealer) is required to remove the filter.
4. Install a new oil filter according to instructions that come with it.

CONTINUED

Engine Oil

5. Put a new washer on the drain bolt, then reinstall the drain bolt.

Tighten it to:

33 lbf.ft (4.5 kgf.m, 44 N.m)

6. Refill the engine with the recommended oil.

Engine oil change capacity
(including filter):

(S, Si)

3.5 US qt (3.3 ℓ, 2.9 Imp qt)

(VTEC)

4.2 US qt (4.0 ℓ, 3.5 Imp qt)

7. Replace the engine oil fill cap.

Start the engine. The oil pressure indicator light should go out within five seconds. If it does not, turn off the engine and reinspect your work.

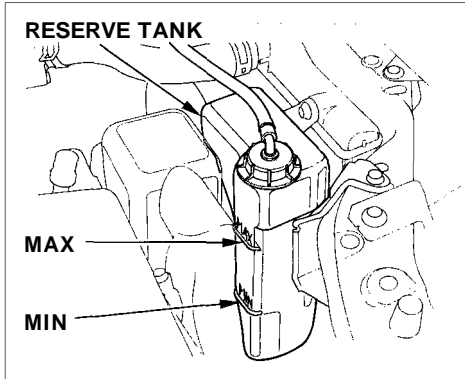
8. Let the engine run for several minutes and check the drain bolt and oil filter for leaks.

9. Turn off the engine, let it sit for several minutes, then check the oil level. If necessary, add oil to bring the level to the upper mark on the dipstick.

NOTICE

Improper disposal of engine oil can be harmful to the environment. If you change your own oil, please dispose of the used oil properly. Put it in a sealed container and take it to a recycling center. Do not discard it in a trash bin or dump it on the ground.

Adding Engine Coolant



If the coolant level in the reserve tank is at or below the MIN line, add coolant to bring it up to the MAX line. Inspect the cooling system for leaks. This coolant should always be a mixture of 50 percent antifreeze and 50 percent water. Never add straight antifreeze or plain water.

Always use Genuine Honda anti-freeze/coolant. The cooling system contains many aluminum components that can corrode if an improper antifreeze is used. Some antifreeze, even though labeled as safe for aluminum parts, may not provide adequate protection.

If the reserve tank is completely empty, you should also check the coolant level in the radiator.

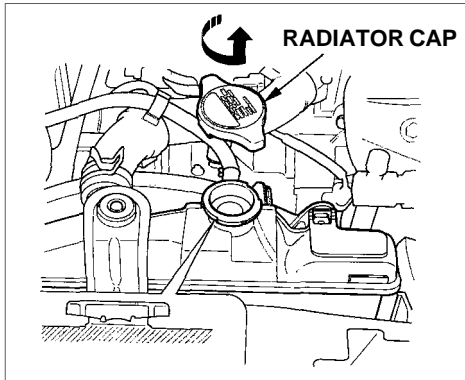
WARNING

Removing the radiator cap while the engine is hot can cause the coolant to spray out, seriously scalding you.

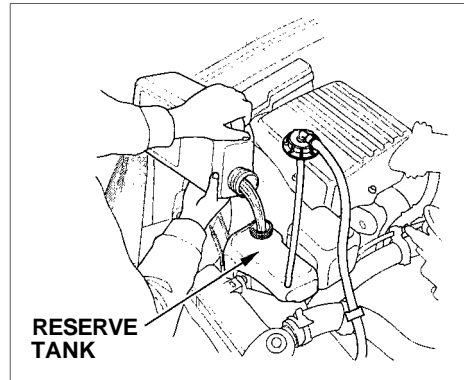
Always let the engine and radiator cool down before removing the radiator cap.

CONTINUED

Cooling System



1. Make sure the engine and radiator are cool.
2. Turn the radiator cap counter-clockwise, without pressing down on it, until it stops. This relieves any pressure remaining in the cooling system.
3. Remove the radiator cap by pushing down and turning counterclockwise.



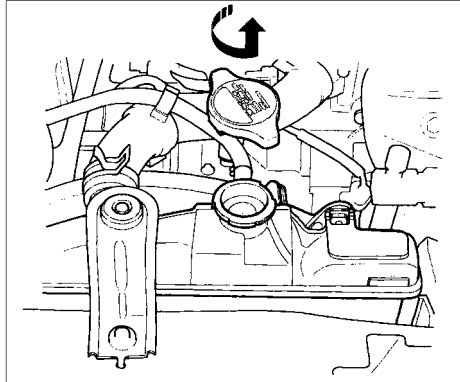
4. The coolant level should be up to the base of the filler neck. Add coolant if it is low.
5. Put the radiator cap back on. Tighten it fully.
6. Pour coolant into the reserve tank. Fill it to halfway between the MAX and MIN marks. Put the cap back on the reserve tank.

Do not add any rust inhibitors or other additives to your car's cooling system. They may not be compatible with the coolant or engine components.

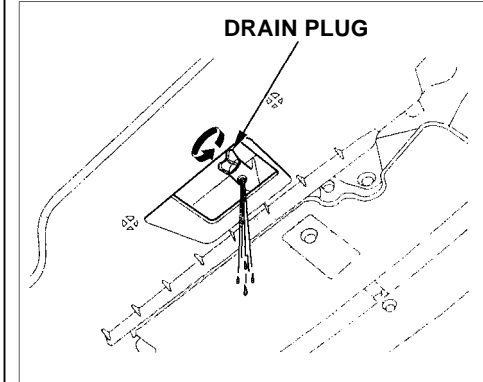
Replacing Engine Coolant

The cooling system should be completely drained and refilled with new coolant according to the time and distance recommendations in the maintenance schedule. Only use Genuine Honda antifreeze/coolant.

Draining the coolant requires access to the underside of the car. Unless you have the tools and knowledge, you should have this maintenance done by a skilled mechanic.



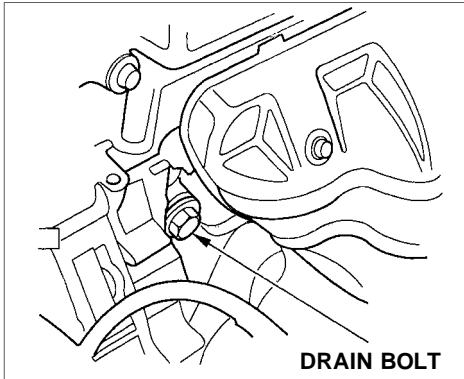
1. Slide the heater temperature control lever to maximum heat. Open the hood. Make sure the engine and radiator are cool to the touch.
2. Remove the radiator cap.



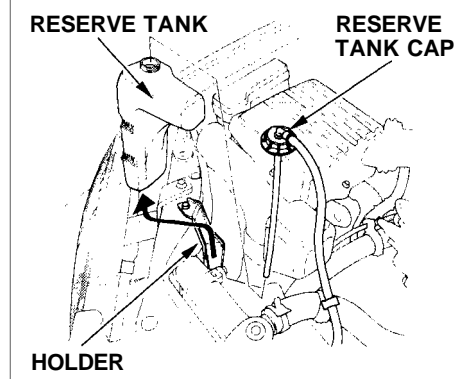
3. Loosen the drain plug on the bottom of the radiator. The coolant will come out through the hole in the splash cover.

CONTINUED

Cooling System



4. *DOHC VTEC model only*
Remove the drain bolt and washer from the engine block.



5. Remove the reserve tank from its holder by pulling it straight up. Drain the coolant, then put the tank back in its holder.
6. When the coolant stops draining, tighten the drain plug in the bottom of the radiator.

7. *DOHC VTEC model only*
Put a new washer on the drain bolt, then reinstall the drain bolt in the engine block. Tighten it securely.

Tightening torque:
58 lbf. ft (8.0 kgf.m, 78 N.m)

8. Mix the recommended antifreeze with an equal amount of purified or distilled water in a clean container. The cooling system capacity is:

With 5-speed manual transmission:

(S, Si)

0.82 US gal (3.1 ℓ, 0.68 Imp gal)
(VTEC)

1.19 US gal (4.5 ℓ, 0.99 Imp gal)

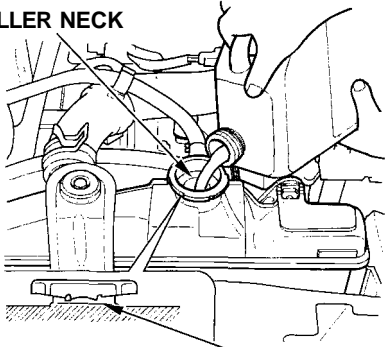
With automatic transmission:

(S)

0.79 US gal (3.0 ℓ, 0.66 Imp gal)
(Si)

0.85 US gal (3.2 ℓ, 0.70 Imp gal)

FILLER NECK



Fill up to here

9. Pour coolant into the radiator up to the base of the filler neck.

10. Put the cap on the radiator, and tighten it only to the first stop. Start the engine and let it run until it warms up (the radiator cooling fan comes on at least twice).

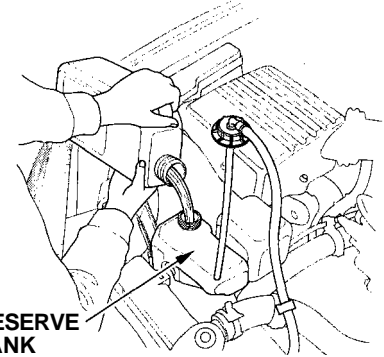
⚠ WARNING

Removing the radiator cap while the engine is hot can cause the coolant to spray out, seriously scalding you.

Always let the engine and radiator cool down before removing the radiator cap.

11. Turn off the engine. Check the level in the radiator, add coolant if needed. Install the radiator cap, and tighten it fully.

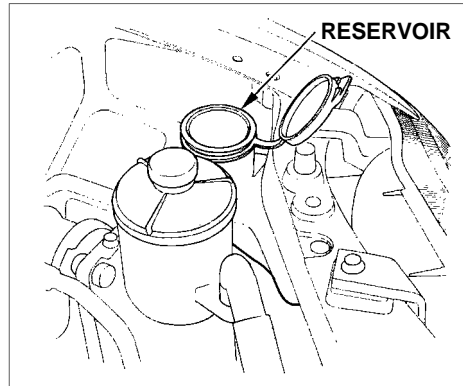
RESERVE TANK



12. Fill the reserve tank to the MAX mark. Install the reserve tank cap.

Windshield Washers

Check the level in the windshield washer reservoir at least monthly during normal usage. In bad weather, when you use the washers often, check the level every time you stop for fuel.



The windshield washer reservoir is located behind the left headlight. Check the reservoir's fluid level by removing the cap and looking inside.

Fill the reservoir with a good-quality windshield washer fluid. This increases the cleaning capability and prevents freezing in cold weather.

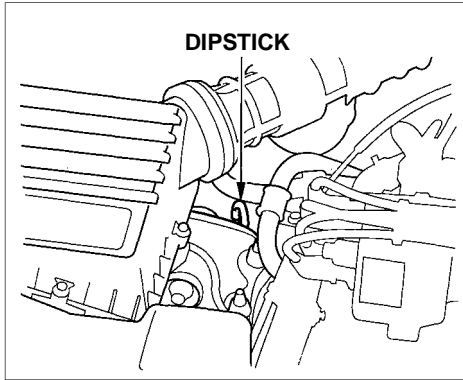
NOTICE

Do not use engine antifreeze or a vinegar/water solution in the windshield washer reservoir.

Antifreeze can damage your car's paint, while a vinegar/water solution can damage the windshield washer pump.

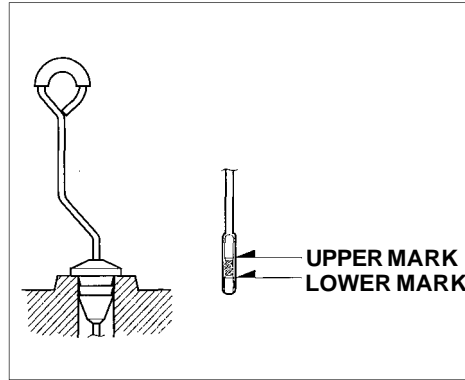
Use only commercially-available windshield washer fluid.

Automatic Transmission



Check the fluid level with the engine at normal operating temperature.

1. Park the car on level ground. Shut off the engine.
2. Remove the dipstick (yellow loop) from the transmission and wipe it with a clean cloth.



3. Insert the dipstick all the way into the transmission securely as shown in the illustration.

4. Remove the dipstick and check the fluid level. It should be between the upper and lower marks.

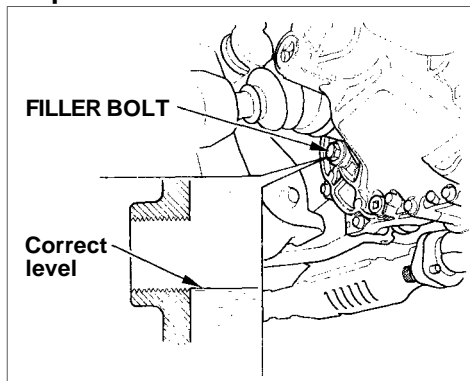
5. If the level is below the lower mark, add fluid into the filler hole to bring it to the upper mark. Always use Honda Premium Formula Automatic Transmission Fluid (ATF). If it is not available, you may use a DEXRON® III automatic transmission fluid as a temporary replacement. However, continued use can affect shift quality. Have the transmission drained and refilled with Honda ATF as soon as it is convenient.

6. Insert the dipstick all the way back into the transmission securely as shown in the illustration.

The transmission should be drained and refilled with new fluid according to the time and distance recommendations in the maintenance schedule.

Transmission Fluid

5-speed Manual Transmission



Check the fluid level with the transmission at normal operating temperature and the vehicle sitting on level ground. Remove the transmission filler bolt and carefully feel inside the bolt hole with your finger. The fluid level should be up to the edge of the bolt hole. If it is not, add Genuine Honda Manual Transmission Fluid (MTF) until it starts to run out of the hole. Reinstall the filler bolt and tighten it securely.

If Honda MTF is not available, you may use an API service SG or SH grade motor oil with a viscosity of SAE 10W-30 or 10W-40 as a temporary replacement. However, motor oil does not contain the proper additives and continued use can cause stiffer shifting. Replace as soon as convenient.

The transmission should be drained and refilled with new fluid according to the time and distance recommendations in the maintenance schedule.

Check the fluid level in the reservoirs monthly. There are up to three reservoirs, depending on equipment. They are:

- Brake fluid reservoir
- Clutch fluid reservoir (manual transmission only)
- ABS reservoir (cars with ABS)

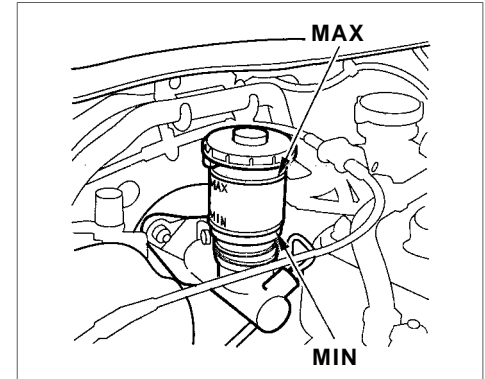
The brake fluid in the brake and anti-lock brake systems should be replaced according to the time and distance recommendations in the maintenance schedule.

Brake Fluid

Always use Genuine Honda DOT 3 brake fluid. If it is not available, you should use only DOT 3 or DOT 4 fluid, from a sealed container, as a temporary replacement. However, the use of any non-Honda brake fluid can cause corrosion and decrease the life of the system. Have the brake fluid replaced with Honda DOT 3 brake fluid as soon as possible.

Brake fluid marked DOT 5 is not compatible with your car's braking system and can cause extensive damage.

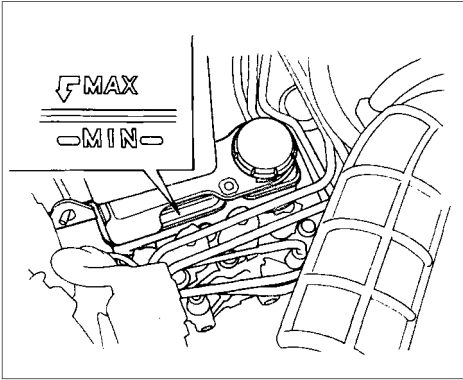
Brake System



The fluid level should be between the MIN and MAX marks on the side of the reservoir. If the level is at or below the MIN mark, your brake system needs attention. Have the brake system inspected for leaks or worn brake pads.

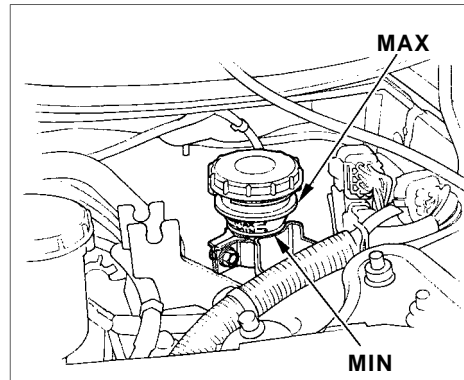
Brake and Clutch Fluid

Anti-lock Brake System



The fluid should be between the MIN and MAX marks on the side of the reservoir. If it is at or below the MIN mark, it indicates a possible problem in the ABS. Have the dealer inspect the system as soon as possible.

Clutch System

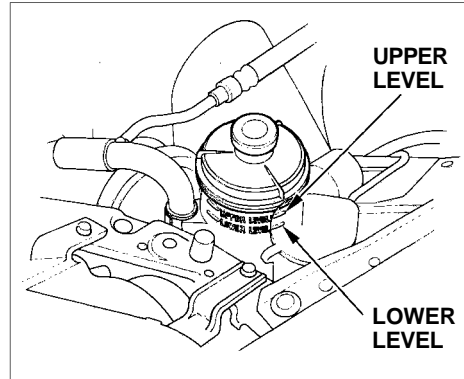


The fluid should be between the MIN and MAX marks on the side of the reservoir. If it is not, add brake fluid to bring it up to that level. Use the same fluid specified for the brake system.

Low fluid level can indicate a leak in the clutch system. Have this system inspected as soon as possible.

All models except for U.S. S model with manual transmission

Check the level when the engine is cold. Look at the side of the reservoir. The fluid should be between the UPPER LEVEL and LOWER LEVEL. If it is below the LOWER LEVEL, add power steering fluid to the UPPER LEVEL.



Always use Genuine Honda Power Steering Fluid. If it is not available, you may use another power steering fluid as an emergency replacement. However, continued use can cause increased wear and poor steering in cold weather. Have the power steering system drained and refilled with Honda PSF as soon as possible.

A low power steering fluid level can indicate a leak in the system. Check the fluid level frequently and have the system inspected as soon as possible.

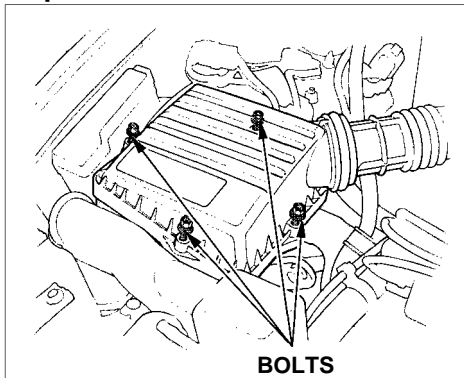
NOTICE

Turning the steering wheel to full left or right lock and holding it there can damage the power steering pump.

Air Cleaner Element

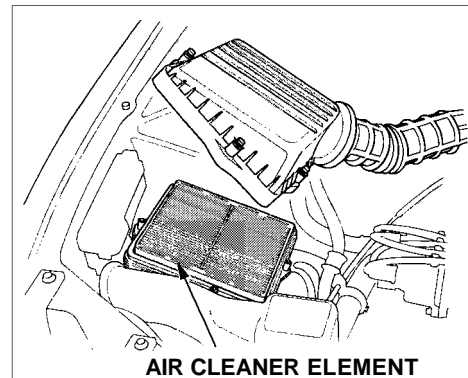
The air cleaner element should be replaced according to the time and distance recommendations in the maintenance schedule.

Replacement



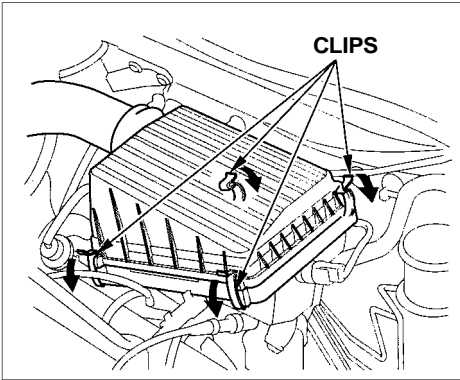
On Si and VTEC models
The air cleaner element is inside the air cleaner housing on the passenger's side of the engine compartment. To replace it:

1. Loosen the four bolts and remove the air cleaner housing cover.



2. Remove the old air cleaner element.
Clean the inside of the air cleaner housing with a damp rag.
3. Place the new air cleaner element in the air cleaner housing.
4. Reinstall the air cleaner housing cover, tighten the four bolts.

Air Cleaner Element

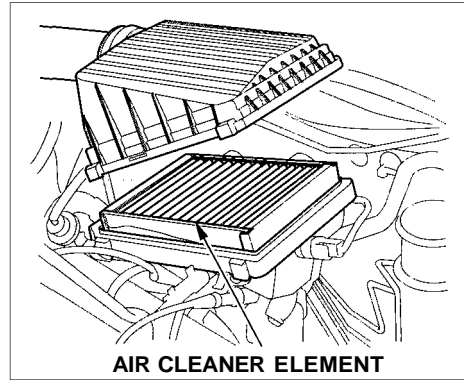


On S model

The air cleaner element is inside the air cleaner housing in the engine compartment.

To replace it:

1. Unsnap the four clips and remove the air cleaner housing cover.



2. Remove the old air cleaner element.
Clean the inside of the air cleaner housing with a damp rag.
3. Place the new air cleaner element in the air cleaner housing.

4. Reinstall the air cleaner housing cover, snap the four clips back into place.

Spark Plugs

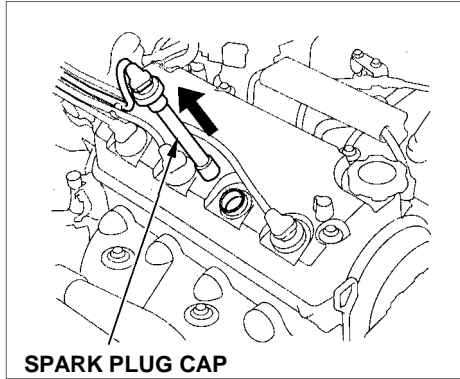
(S, Si)

The spark plugs in your car need to be replaced every 2 years or 30,000 miles (48,000 km), whichever comes first.

(VTEC)

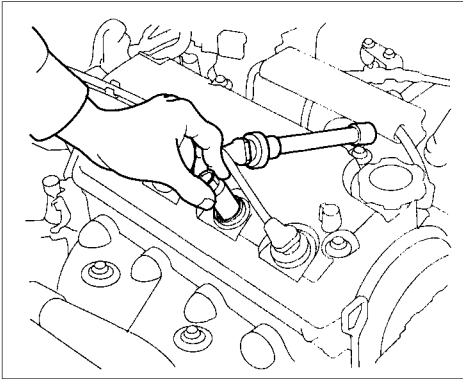
The spark plugs in your car are a special platinum-tipped design for longer life. They only need to be replaced every 6 years or 60,000 miles (96,000 km), whichever comes first.

Replacement

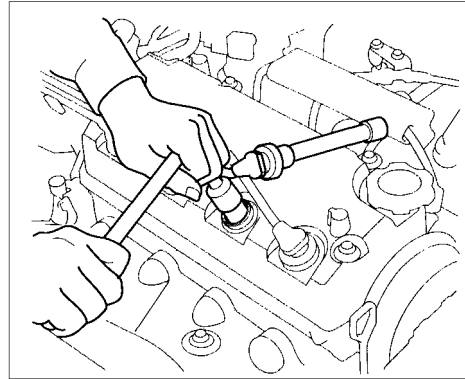


1. VTEC only:
Remove the four nuts, then remove the plug wire cover.
2. Clean up any dirt and oil around the spark plug caps.

3. Remove the spark plug cap by pulling it straight out.
4. Remove the spark plug with a five-eighths inch (16 mm) spark plug socket.



5. Put the new spark plug into the socket; then screw it into the hole. Screw it in by hand so you do not crosstread it.



6. Torque the spark plug. (If you do not have a torque wrench, tighten the spark plug two-thirds of a turn after it contacts the cylinder head.)
Tightening torque:
13 lbf.ft (1.8 kgf.m, 18 Nm)

NOTICE

Tighten the spark plugs carefully. A spark plug that is too loose can overheat and damage the engine. Overtightening can cause damage to the threads in the cylinder head.

7. Install the spark plug cap.
8. Repeat this procedure for the other three spark plugs.

(VTEC)

Reinstall the plug wire cover and tighten the four nuts.

CONTINUED

Spark Plugs, Battery

Specifications:

(S, Si)

NGK: **ZFR5F-11**
Nippondenso: **KJ16CR-L11**

Spark Plug Gap:
0.043 in ⁺⁰/_{-0.004 in} (**1.1 mm** ⁺⁰/_{-0.1 mm})

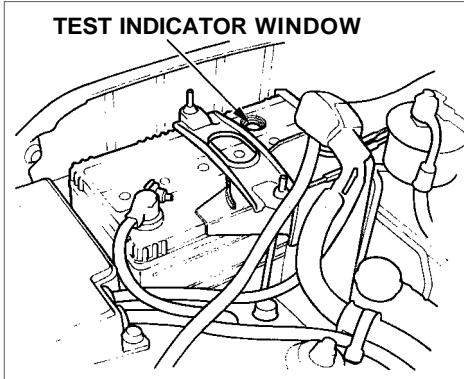
(VTEC)

NGK: **PFR6L-13**
Nippondenso: **PK20PR-L13**

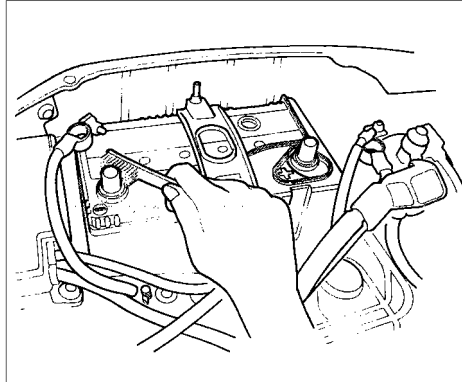
Spark Plug Gap:
0.051 in ⁺⁰/_{-0.004 in} (**1.3 mm** ⁺⁰/_{-0.1 mm})

Battery

Check the condition of your car's battery monthly. You should check the color of the test indicator window, and for corrosion on the terminals.



Check the battery condition by looking at the test indicator window on the battery. The label on the battery explains the test indicator's colors.



Check the battery terminals for corrosion (a white or yellowish powder). To remove it, cover the terminals with a solution of baking soda and water. It will bubble up and turn brown. When this stops, wash it off with plain water. Dry off the battery with a cloth or paper towel. Coat the terminals with grease to help prevent future corrosion.

If the terminals are severely corroded, clean them with baking soda and water. Then use a wrench to loosen and remove the cables from the terminals. Always disconnect the negative (—) cable first and reconnect it last. Clean the battery terminals with a terminal cleaning tool or wire brush. Reconnect and tighten the cables, then coat the terminals with grease.

If you need to connect the battery to a charger, disconnect both cables to prevent damage to the car's electrical system.

CONTINUED

Battery

WARNING

The battery gives off explosive hydrogen gas during normal operation.

A spark or flame can cause the battery to explode with enough force to kill or seriously hurt you.

Wear protective clothing and a face shield, or have a skilled mechanic do the battery maintenance.

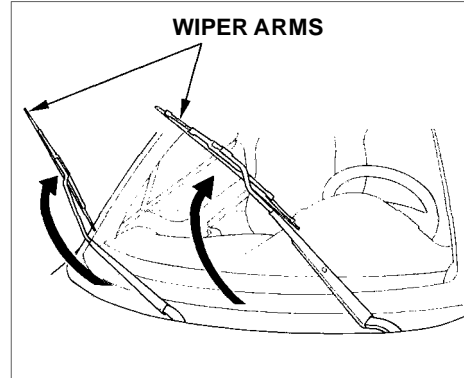
On Si and VTEC models

If your car's battery is disconnected or goes dead, the audio system will disable itself. The next time you turn on the radio you will see "Code" in the frequency display. Use the Preset buttons to enter the five-digit code (see page [88](#)).

NOTICE

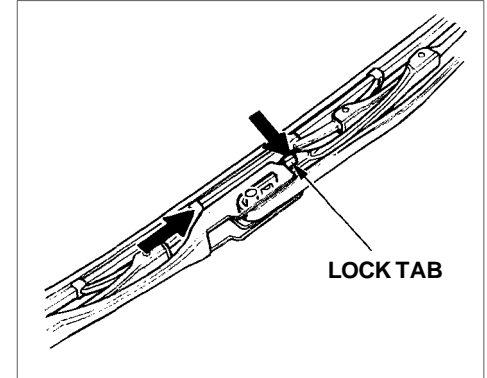
Charging the battery with the cables connected can seriously damage your car's electronic controls. Detach the battery cables before connecting the battery to a charger.

Check the condition of the windshield wiper blades at least every six months. Look for signs of cracking in the rubber, or areas that are getting hard. Replace the blades if you find these signs, or they leave streaks and unwiped areas when used.



To replace the blade:

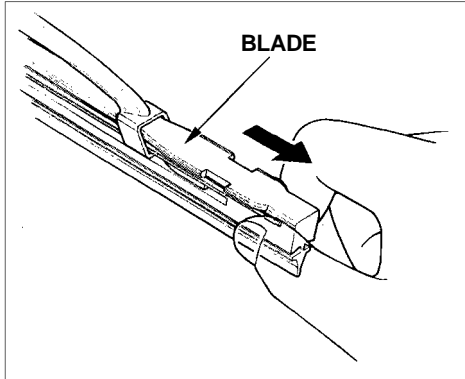
1. Raise the wiper arm off the windshield.



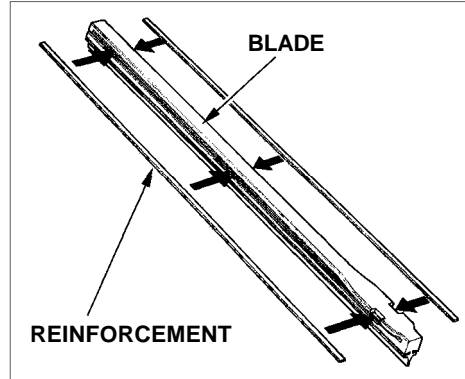
2. Disconnect the blade assembly from the wiper arm by pushing in the lock tab. Hold it in while you push the blade assembly toward the base of the arm.

CONTINUED

Windshield Wipers



3. Remove the blade from its holder by grasping the tabbed end of the blade. Pull firmly until the tabs come out of the holder.

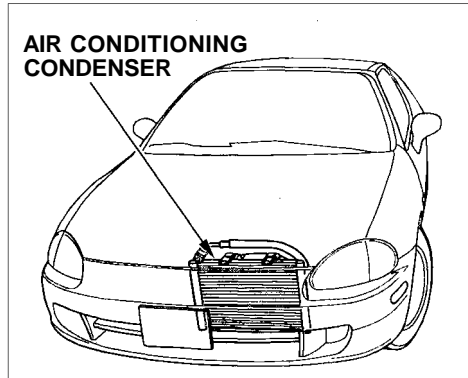


4. Examine the new wiper blades. If they have no plastic or metal reinforcement along the back edge, remove the metal reinforcement strips from the old wiper blade and install them in the slots along the edge of the new blade.

5. Slide the new wiper blade into the holder until the tabs lock.
6. Slide the wiper blade assembly onto the wiper arm. Make sure it locks in place.
7. Lower the wiper arm down against the windshield.

Air Conditioning System (Optional)

Your car's air conditioning is a sealed system. Any major maintenance, such as recharging, should be done by a qualified technician. You can do a couple of things to make sure the air conditioning works efficiently.



Periodically check the engine's radiator and air conditioning condenser for leaves, insects, and dirt stuck to the front surface. These block the air flow and reduce cooling efficiency. Use a light spray from a hose or a soft brush to remove them.

NOTICE

The condenser and radiator fins bend easily. Only use a low-pressure spray or soft-bristle brush to clean them.

Run the air conditioning at least once a week during the cold weather months. Run it for at least ten minutes while you are driving at a steady speed with the engine at normal operating temperature. This circulates the lubricating oil contained in the refrigerant.

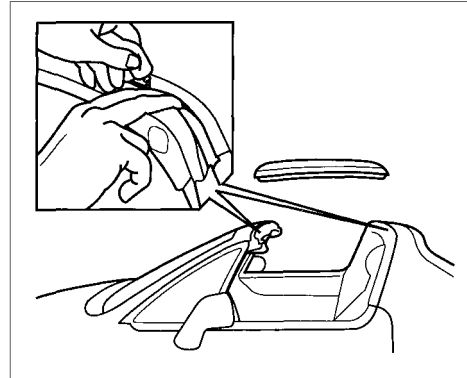
If the air conditioning does not get as cold as before, have your dealer check the system. Recharge the system with Refrigerant HFC-134a (R-134a). (See Specifications on page 201.)

NOTICE

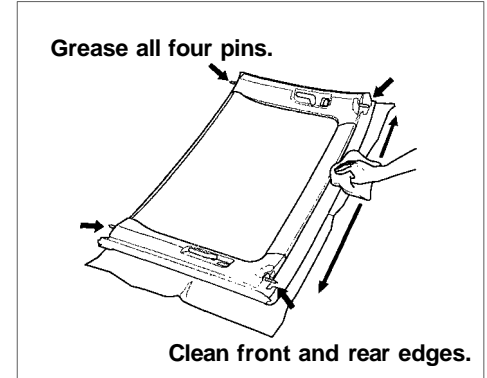
Whenever you have the air conditioning system serviced, make sure the service facility uses a refrigerant recycling system. This system, captures the refrigerant for reuse. Releasing refrigerant into the atmosphere can damage the environment.

Removable Roof Panel

To help reduce the potential for leaks and noises, you should perform maintenance on the seals and locking mechanism every 6 months or 7,500 miles (12,000 km).

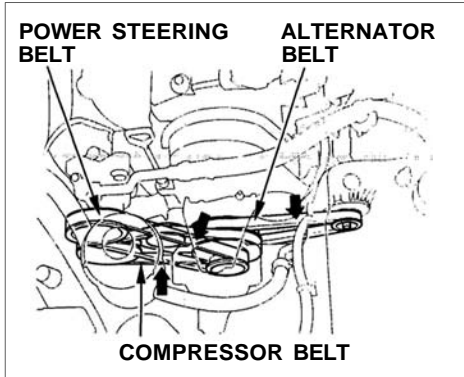


1. Apply a thin film of Honda silicone grease to the body seals wherever they contact the roof panel or each other.
2. Place the roof panel upside down on a blanket or carpet.
3. Turn the release levers to the lock position so the lock pins extend.



4. Coat the four lock pins with Honda silicone grease. Remove any excess.
5. Clean the front and rear edges of the roof panel.
6. Reinstall the roof panel.

Drive Belts



Check the condition of the two or three drive belts. Examine the edges of each belt for cracks or fraying. Check the tension of each belt by pushing on it with your thumb midway between the pulleys.

The belts should have the following "play" or deflection.

Alternator belt:

(VTEC)

0.28 — 0.41 in (7.0 — 10.5 mm)

(S, Si)

0.31 — 0.41 in (8.0 — 10.5 mm)

Power steering belt:

(VTEC)

0.30 — 0.43 in (7.5 — 11.0 mm)

(S, Si)

0.41 — 0.55 in (10.5 — 14.0 mm)

On cars with Air Conditioning

Compressor belt:

(VTEC)

0.24 — 0.37 in (6.0 — 9.5 mm)

(S, Si)

0.30 — 0.37 in (7.5 — 9.5 mm)

If you see signs of wear or looseness, have your dealer adjust or replace the belts.

Timing Belt

The timing belt should normally be replaced at the intervals shown in the maintenance schedule.

Replace this belt at 60,000 miles (U.S.) or 100,000 km (Canada) if you regularly drive your car in one or more of these conditions:

- In very high temperatures (over 110°F, 43°C).
- In very low temperatures (under —20°F, —29°C).

Tires

To safely operate your car, your tires must be the proper type and size, in good condition with adequate tread, and correctly inflated. The following pages give more detailed information on how and when to check air pressure, how to inspect your tires for damage and wear, and what to do when your tires need to be replaced.

WARNING

Using tires that are excessively worn or improperly inflated can cause a crash in which you can be seriously hurt or killed.

Follow all instructions in this owner's manual regarding tire inflation and maintenance.

Inflation

Keeping the tires properly inflated provides the best combination of handling, tread life and riding comfort. Underinflated tires wear unevenly, adversely affect handling and fuel economy, and are more likely to fail from being overheated. Overinflated tires can make your car ride more harshly, are more prone to damage from road hazards, and wear unevenly.

We recommend that you visually check your tires every day. If you think a tire might be low, check it immediately with a tire gauge.

Use a gauge to measure the air pressure at least once a month. Even tires that are in good condition may lose one to two psi per month. Remember to check the spare tire at the same time you check all the other tires.

Check the pressure in the tires when they are cold. This means the car has been parked for at least three hours. If you have to drive the car before checking the tire pressure, the tires can still be considered "cold" if you drive less than 1 mile (1.6 km).

If you check the pressure when the tires are hot (the car has been driven several miles), you will see readings 4 to 6 psi (0.3 to 0.4 kgf/cm², 30 to 40 kPa) higher than the cold reading. This is normal. Do not let air out to match the specified cold pressure. The tire will be underinflated.

Recommended Tire Pressures for Normal Driving

The following chart shows the recommended cold tire pressures for most normal driving conditions and speeds. Tire pressures for high speed driving are shown on page [203](#).

(S)

Tire Size	Cold Tire Pressure for Normal Driving
P175/70R13 82S	32 psi (220 kPa, 2.2 kgf/cm ²)

(Si)

Tire Size	Cold Tire Pressure for Normal Driving
P185/60R14 82H	29 psi (200 kPa, 2.0 kgf/cm ²)

(VTEC)

Tire Size	Cold Tire Pressure for Normal Driving
P195/60R14 85V	29 psi (200 kPa, 2.0 kgf/cm ²)

The compact spare tire pressure is: 60 psi (420 kPa, 4.2 kgf/cm²)

These pressures are also given on the tire information label in the glove box.

You should get your own tire pressure gauge and use it whenever you check your tire pressures. This will make it easier for you to tell if a pressure loss is due to a tire problem and not due to a variation between gauges.

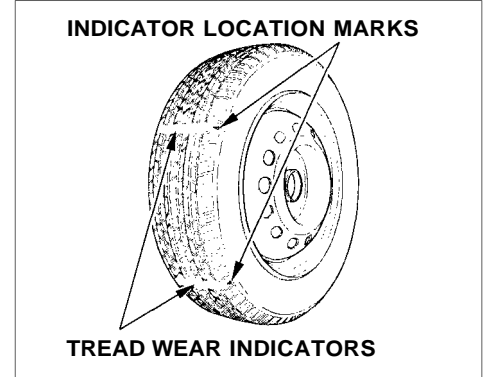
Tubeless tires have some ability to self-seal if they are punctured. However, because leakage is often very slow, you should look closely for punctures if a tire starts losing pressure.

Inspection

Every time you check inflation, you should also examine the tires for damage, foreign objects, and wear.

You should look for:

- Bumps or bulges in the tread or side of the tire. Replace the tire if you find either of these conditions.
- Cuts, splits, or cracks in the side of the tire. Replace the tire if you can see fabric or cord.
- Excessive tread wear.



CONTINUED

Tires

Your car's tires have wear indicators molded into the tread. When the tread wears down to that point, you will see a 1/2 inch (12.7 mm) wide band running across the tread. This shows there is less than 1/16 inch (1.6 mm) of tread left on the tire. A tire that is this worn gives very little traction on wet roads. You should replace the tire if you can see the tread wear indicator in three or more places around the tire.

Maintenance

In addition to proper inflation, correct wheel alignment helps to decrease tire wear. If you find a tire is worn unevenly, have your dealer check the wheel alignment.

The tires were properly balanced by the factory. They may need to be rebalanced at some time before they are worn out. Have your dealer check the tires if you feel a consistent vibration while driving. A tire should always be rebalanced if it is removed from the wheel for repair.

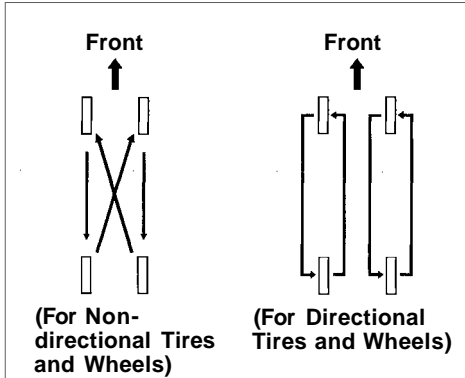
Make sure the installer balances the wheels when you have new tires installed. This increases riding comfort and tire life. Your car's original tires were dynamic or "spin" balanced at the factory. For best results, have the installer perform a dynamic balance.

NOTICE

(Only on cars equipped with aluminum wheels)

Improper wheel weights can damage your car's aluminum wheels. Use only Genuine Honda wheel weights for balancing.

Tire Rotation



To help increase tire life and distribute wear more evenly, you should have the tires rotated every 7,500 miles (12,000 km). Move the tires to the positions shown in the chart each time they are rotated.

When shopping for replacement tires, you may find that some tires are "directional." This means they are designed to rotate only in one direction. If you use directional tires, they should be rotated only front-to-back.

Replacing Tires and Wheels

The tires that came with your car were selected to match the performance capabilities of the car while providing the best combination of handling, ride comfort, and long life. You should replace them with radial tires of the same size, load range, speed rating, and maximum cold tire pressure rating (as shown on the tire's sidewall). Mixing radial and bias-ply tires on your car can reduce its braking ability, traction, and steering accuracy.

WARNING

Installing improper tires on your car can affect handling and stability. This can cause a crash in which you can be seriously hurt or killed.

Always use the size and type of tires recommended in this owner's manual.

CONTINUED

Tires

It is best to replace all four tires at the same time. If that is not possible or necessary, then replace the two front tires or the two rear tires as a pair. Replacing just one tire can seriously affect your car's handling.

The ABS works by comparing the speed of the wheels. When replacing tires, use the same size originally supplied with the car. Tire size and construction can affect wheel speed and may cause the system to work inconsistently.

If you ever need to replace a wheel, make sure the wheel's specifications match those of the original wheel that came on your car. Replacement wheels are available at your Honda dealer.

Wheels and Tires

Wheel:

(S)

13 x 5 J

(Si, VTEC)

14 x 5 1/2 JJ

Tire:

(S)

P175/70R13 82S

(Si)

P185/60R14 82H

(VTEC)

P195/60R14 85V

See *Tire Information* on page [201](#) for additional information about tire and wheel size designations. See page [203](#) for information about DOT Tire Quality Grading.

Winter Driving

Tires that are marked "M + S" or "All Season" on the sidewall have an all-weather tread design. They should be suitable for most winter driving conditions. Tires without these markings are designed for optimum traction in dry conditions. They may not provide adequate performance in winter driving. For the best performance in snowy or icy conditions, you should install snow tires or tire chains. They may be required by local laws under certain conditions.

Snow Tires

If you mount snow tires on your Honda, make sure they are radial tires of the same size and load range as the original tires. Mount snow tires on all four wheels to balance your car's handling in all weather conditions. Keep in mind the traction provided by snow tires on dry roads may not be as high as your car's original equipment tires. You should drive cautiously even when the roads are clear. Check with the tire dealer for maximum speed recommendations.

Tire Chains

Mount snow chains on your car when warranted by driving conditions or required by local laws. Make sure the chains are the correct size for your tires. Install them only on the front tires. If metal chains are used, they must be SAE class "S". Cable type traction devices can also be used.

When installing chains, follow the manufacturer's instructions and mount them as tightly as you can. Drive slowly with chains installed. If you hear the chains contacting the body or chassis, stop and tighten them. If they still make contact, slow down until it stops. Remove the chains as soon as you begin driving on cleared roads.

NOTICE

Chains of the wrong size or that are improperly installed can damage your car's brake lines, suspension, body, and wheels. Stop driving if you hear the chains hitting any part of the car.

Lights

Check the operation of your car's exterior lights at least once a month. A burned out bulb can create an unsafe condition by reducing your car's visibility and the ability to signal your intentions to other drivers.

Check the following:

- Headlights (low and high beam)
- Parking lights
- Taillights
- Brake lights
- Turn signals
- Back-up lights
- Hazard light function
- License plate light
- Side marker lights
- Daytime running lights (Canadian cars)

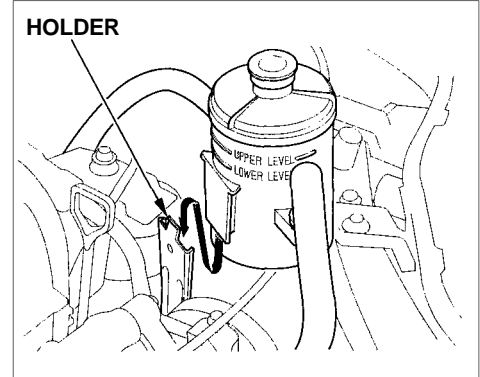
If you find any bulbs are burned out, replace them as soon as possible. Refer to the chart on page 201 to determine what type of replacement bulb is needed.

Replacing a Headlight Bulb

Your car has halogen headlight bulbs, one on each side. When replacing a bulb, handle it by its steel base and protect the glass from contact with your skin or hard objects. If you touch the glass, clean it with denatured alcohol and a clean cloth.

NOTICE

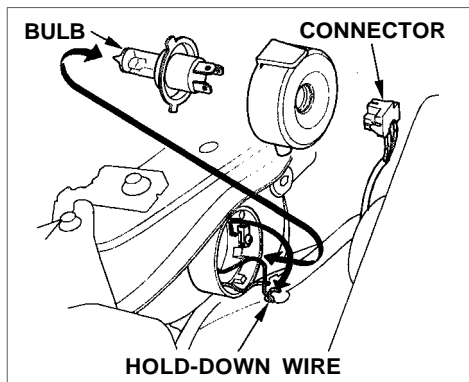
Halogen headlight bulbs get very hot when lit. Oil, perspiration, or a scratch on the glass can cause the bulb to overheat and shatter.



1. Open the hood.

If you need to change the headlight bulb on the passenger's side, remove the air intake tube by pulling it straight up.

If you need to change the headlight bulb on the driver's side, remove the power steering reservoir tank by pulling it out of its holder.

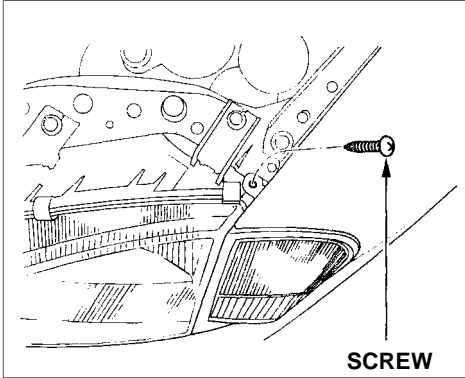


2. Remove the electrical connector from the bulb by pulling the connector straight back.
3. Remove the rubber weather seal by pulling on the tab.
4. Unclip the end of the hold-down wire from its slot. Pivot it out of the way and remove the bulb.
5. Insert the new bulb into the hole, making sure the tabs are in their slots. Pivot the hold-down wire back in place and clip the end into the slot.
6. Push the rubber weather seal over the bulb.
7. Push the electrical connector onto the tabs of the new bulb. Make sure it locks in place. Turn on the headlights to test the new bulb.
8. (Passenger's side)
Reinstall the air intake tube.

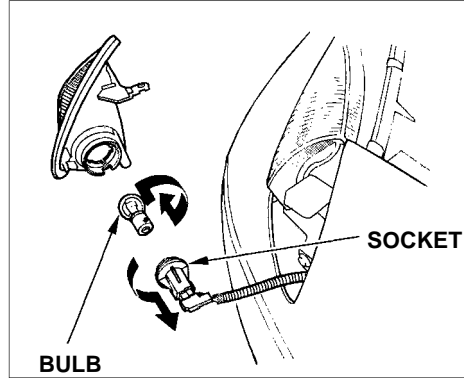
(Driver's side)
Reinstall the power steering reservoir.

Lights

Replacing the Front Side Marker/ Turn Signal and Parking Light Bulb



1. Use a Phillips-head screwdriver to remove the screw from the top of the fender.

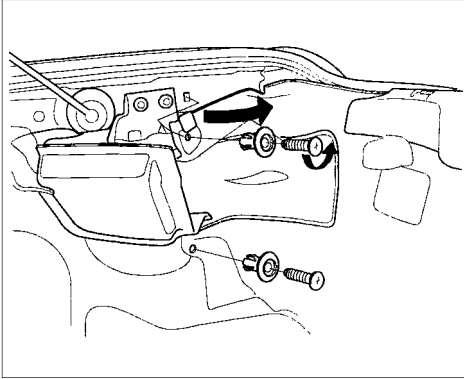


2. Move the side marker light assembly forward until it slides out of the body.

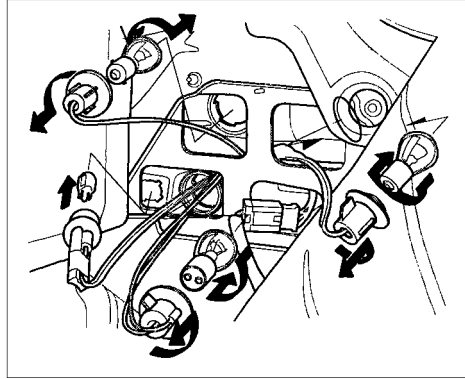
3. Turn the socket one-quarter turn counterclockwise to remove it from the lens.

4. Remove the bulb by pushing it in slightly and turning it counterclockwise.
5. Install the new bulb in the socket. Turn it clockwise to lock it in place.
6. Insert the socket back into the lens. Turn it clockwise to lock it in place.
7. Turn on the parking lights to make sure the new bulb works.
8. To reinstall the light assembly in the fender, line up the guide on the assembly with the metal tab next to the headlight and line up the fingers on the light assembly with the holes in the fender. Push the light assembly straight back.
9. Install the mounting screw and tighten it securely.

Replacing Rear Bulbs



1. Open the trunk.
When replacing a bulb in the right assembly, remove the jack first.
2. Use a Phillips-head screwdriver to remove the two screws and pull off the lining.

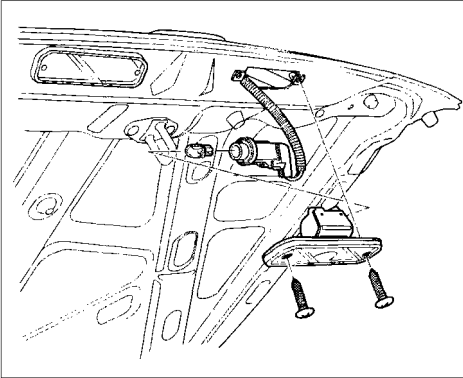


3. Determine which of the four bulbs is burned out: tail/stoptlight, back-up light, turn signal, or side marker. Remove the socket for that bulb by turning it counter-clockwise.

4. To remove the tail/stoptlight bulb, back-up light bulb or the turn signal bulb, push it in slightly and turn it counterclockwise. To remove the side marker bulb, pull it straight out of the socket.
5. Install the new bulb in the socket. Insert the socket back in the taillight assembly and turn it clockwise to lock it in place.
6. Test the new bulb. Put the lining back and tighten the two screws.

Lights

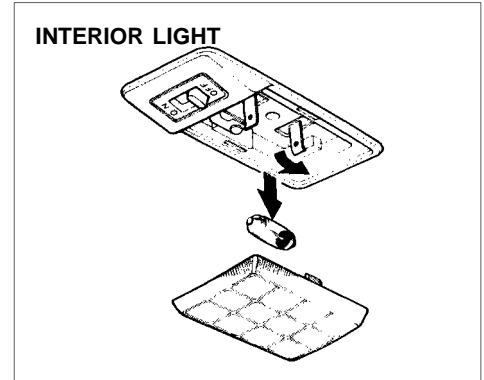
Replacing a Rear License Bulb



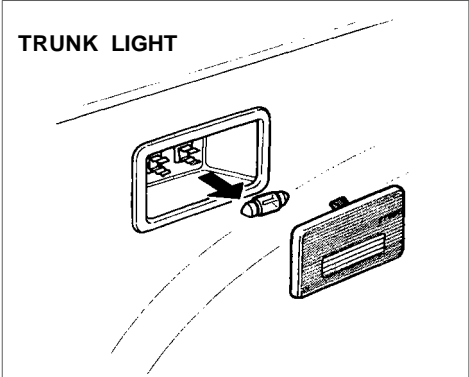
1. Open the trunk.
Use a Phillips-head screwdriver to remove the two mounting screws.
2. Pull the assembly away from the bracket.
3. Remove the socket from the light assembly by turning it one-quarter turn counterclockwise.

4. Pull the bulb straight out of the socket.
5. Install the new bulb. Test it to make sure it works.
6. Reinstall the light assembly on the bracket. Install the mounting screws and tighten them securely.

Replacing Interior and Trunk Light Bulbs



1. Remove the lens by carefully prying on the edge of the lens in the middle with a fingernail file or a small flat-tip screwdriver. Do not pry on the edge of the housing around the lens.



- 2. Remove the bulb by pulling it straight out of its metal tabs.
- 3. Push the new bulb into the metal tabs. Snap the lens back in place.

Storing Your Car

If you need to park your car for an extended period (more than one month), there are several things you should do to prepare it for storage. Proper preparation helps prevent deterioration and makes it easier to get your car back on the road. If possible, store your car indoors.

- Fill the fuel tank.
- Change the engine oil and filter (see page [130](#)).
- Wash and dry the exterior completely.
- Clean the interior. Make sure the carpeting, floor mats, etc. are completely dry.
- Leave the parking brake off. Put the transmission in Reverse (5-speed manual) or Park (automatic).

- Block the rear wheels.
- If the car is to be stored for a longer period, it should be supported on jackstands so the tires are off the ground.
- Leave one window open slightly (if the car is being stored indoors).
- Disconnect the battery.
- Support the front wiper blade arms with a folded towel or rag so they do not touch the windshield.
- To minimize sticking, apply a silicone spray lubricant to all door and trunk seals. Also, apply a car body wax to the painted surfaces that mate with the door and trunk seals.

- Cover the car with a "breathable" car cover, one made from a porous material such as cotton. Nonporous materials, such as plastic sheeting, trap moisture, which can damage the paint.
- If possible, run the engine for a while periodically (preferably once a month).

If you store your car for 12 months or longer, have your Honda dealer perform the inspections called for in the 24 months/30,000 miles (48,000 km) maintenance schedule (Normal Conditions) as soon as you take it out of storage (see page [122](#)). The replacements called for in the maintenance schedule are not needed unless the car has actually reached that time or mileage.

Regular cleaning and polishing of your Honda helps to keep it "new" looking. This section gives you hints on how to clean your car and preserve its appearance: the paint, brightwork, wheels and interior. Also included are several things you can do to help prevent corrosion.

Exterior Care.....	170
Washing.....	170
Waxing.....	171
Aluminum Wheels.....	171
Paint Touch-up.....	171
Interior Care.....	172
Carpeting.....	172
Fabric.....	172
Vinyl.....	172
Seat Belts.....	172
Windows.....	173
Air Fresheners.....	173
Corrosion Protection.....	173
Body Repairs.....	174

Exterior Care

Washing

Frequent washing helps preserve your car's beauty. Dirt and grit can scratch the paint, while tree sap and bird droppings can permanently ruin the finish.

Wash your car in a shady area, not in direct sunlight. If the car is parked in the sun, move it into the shade and let the exterior cool down before you start.

Only use the solvents and cleaners recommended in this Owner's Manual.

NOTICE

Chemical solvents and strong cleaners can damage the paint, metal, and plastic on your car.

- Rinse the car thoroughly with cool water to remove loose dirt.
- Fill a bucket with cool water. Mix in a mild detergent, such as dishwashing liquid or a product made especially for car washing.
- Wash the car, using the water and detergent solution and a soft-bristle brush, sponge, or soft cloth. Start at the top and work your way down. Rinse frequently.
- Check the body for road tar, tree sap, etc. Remove these stains with tar remover or turpentine. Rinse it off immediately so it does not harm the finish. Remember to re-wax these areas, even if the rest of the car does not need waxing.

- When you have washed and rinsed the whole exterior, dry it with a chamois or soft towel. Letting it air-dry will cause dulling and water spots.

As you dry the car, inspect it for chips and scratches that could allow corrosion to start. Repair them with touch-up paint (see page [171](#)).

Waxing

Always wash and dry the whole car before waxing it. You should wax your car, including the metal trim, whenever water sits on the surface in large patches. It should form into beads or droplets after waxing.

You should use a quality liquid or paste wax. Apply it according to the instructions on the container. In general, there are two types of products:

Waxes — A wax coats the finish and protects it from damage by exposure to sunlight, air pollution, etc. You should use a wax on your Honda when it is new.

Polishes — Polishes and cleaner/waxes can restore the shine to paint that has oxidized and lost some of its shine. They normally contain mild abrasives and solvents that remove the top layer of the finish. You

should use a polish on your Honda if the finish does not have its original shine after using a wax.

Cleaning tar, insects, etc. with removers also takes off the wax. Remember to re-wax those areas, even if the rest of the car does not need waxing.

Aluminum Wheels

(Only on cars equipped with aluminum wheels)

Clean your Honda's aluminum alloy wheels as you do the rest of the exterior. Wash them with the same solution, and rinse them thoroughly.

The wheels have a protective clear-coat that keeps the aluminum from corroding and tarnishing. Using harsh chemicals, including some commercial wheel cleaners, or stiff brushes can damage this clear-coat. Only use a mild detergent and soft brush or sponge to clean the wheels.

Paint Touch-up

Your dealer has touch-up paint to match your car's color. The color code is printed on a sticker on the driver's doorjamb. Take this code to your dealer so you are sure to get the correct color.

Inspect your car frequently for chips or scratches in the paint. Repair them right away to prevent corrosion of the metal underneath. Use the touch-up paint only on small chips and scratches. More extensive paint damage should be repaired by a professional.

Interior Care

Carpeting

Vacuum the carpeting frequently to remove dirt. Ground-in dirt will make the carpet wear out faster.

Periodically shampoo the carpet to keep it looking new. Use one of the foam-type carpet cleaners on the market. Follow the instructions that come with the cleaner, applying it with a sponge or soft brush. Keep the carpeting as dry as possible by not adding water to the foam.

Fabric

Vacuum dirt and dust out of the material frequently. For general cleaning, use a solution of mild soap and lukewarm water, letting it air dry. To clean off stubborn spots, use a commercially-available fabric cleaner. Test it on a hidden area of the fabric first, to make sure it does not bleach or stain the fabric. Follow the instructions that come with the cleaner.

Vinyl

Remove dirt and dust with a vacuum cleaner. Wipe the vinyl with a soft cloth dampened in a solution of mild soap and water. Use the same solution with a soft-bristle brush on more difficult spots. You can also use commercially-available spray or foam-type vinyl cleaners.

Seat Belts

If your seat belts get dirty, you can use a soft brush with a mixture of mild soap and warm water to clean them. Do not use bleach, dye, or cleaning solvents. They can weaken the belt material. Let the belts air-dry before you use the car.

Windows

Clean the windows, inside and out, with a commercially-available glass cleaner. You can also use a mixture of one part white vinegar to ten parts water. This will remove the haze that builds up on the inside of the windows. Use a soft cloth or paper towels to clean all glass and clear plastic surfaces.

NOTICE

The rear window defogger wires are bonded to the inside of the glass. Wiping vigorously up-and-down can dislodge and break the defogger wires. When cleaning the rear window, use gentle pressure and wipe side-to-side.

Air Fresheners

If you want to use an air freshener/deodorizer in the interior of your car, it is best to use a solid type. Some liquid air fresheners contain chemicals that may cause parts of the interior trim and fabric to crack or discolor.

If you use a liquid air freshener, make sure you fasten it securely so it does not spill as you drive.

Corrosion Protection

Two factors normally contribute to causing corrosion in your car:

1. Moisture trapped in body cavities. Dirt and road salt that collects in hollows on the underside of the car stays damp, promoting corrosion in that area.
2. Removal of paint and protective coatings from the exterior and underside of the car.

Many corrosion-preventive measures are built into your Honda. You can help keep your car from corroding by performing some simple periodic maintenance:

- Repair chips and scratches in the paint as soon as you discover them.

CONTINUED

Corrosion Protection, Body Repairs

- Inspect and clean out the drain holes in the bottom of the doors and body.
- Check the floor coverings for dampness. Carpeting and floor mats may remain damp for a long time, especially in winter. This dampness can eventually cause the floor panels to corrode.
- Use a high-pressure spray to clean the underside of your car. This is especially important in areas that use road salt in winter. It is also a good idea in humid climates and areas subject to salt air. Cars equipped with ABS have a sensor and wiring at each wheel. Be careful not to damage them.
- Have the corrosion-preventive coatings on the underside of your car inspected and repaired periodically.

Body Repairs

Body repairs can affect your car's resistance to corrosion. If your car needs repairs after a collision, pay close attention to the parts used in the repair and the quality of the work.

Make sure the repair facility uses Genuine Honda replacement body parts. Some companies make sheet metal pieces that seem to duplicate the original Honda body parts, but are actually inferior in fit, finish, and corrosion resistance. Once installed, they do not give the same high-quality appearance.

When reporting your collision to the insurance company, tell them you want Genuine Honda parts used in the repair. Although most insurers recognize the quality of original parts, some may try to specify that the repairs be done with other available parts. You should investigate this before any repairs are begun.

Take your car to your authorized Honda dealer for inspection after the repairs are completed. He can make sure that quality materials were used, and that corrosion-preventive coatings were applied to all repaired and replaced parts.

This section covers the more-common problems that motorists experience with their cars. It gives you information about how to safely evaluate the problem and what to do to correct it. If the problem has stranded you on the side of the road, you may be able to get going again. If not, you will also find instructions on getting your car towed.

- Compact Spare Tire..... 176
- Changing a Flat Tire 177
- If Your Engine Won't Start..... 183
 - Nothing Happens or the Starter Motor Operates Very Slowly..... 183
 - The Starter Operates Normally..... 184
- Jump Starting..... 184
- If Your Engine Overheats..... 186
- Low Oil Pressure Indicator..... 188
- Charging System Indicator..... 189
- Malfunction Indicator Lamp 190
- Fuses..... 191
 - Checking and Replacing..... 192
- Towing..... 196

Compact Spare Tire

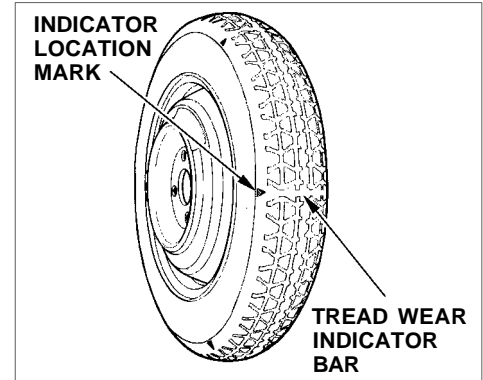
Your car has a compact spare tire that takes up less space. Use this spare tire as a temporary replacement only. Get your regular tire repaired or replaced and put back on your car as soon as you can.

Check the inflation pressure of the compact spare tire every time you check the other tires. It should be inflated to:

60 psi (420 kPa, 4.2 kgf/cm²)

Follow these precautions whenever you are using the compact spare tire:

- Do not exceed 50 mph (80 km/h) under any circumstances.
- This tire gives a harsher ride and less traction on some road surfaces than the regular tire. Use greater caution while driving on this tire.
- Do not mount snow chains on the compact spare.
- The wheel of the compact spare tire is designed especially to fit your car. Do not use your spare tire on another car unless it is the same make and model.



The compact spare tire has a shorter tread life than a regular tire. Replace it when you can see the tread wear indicator bars. The replacement should be the same size and design tire, mounted on the same wheel. The compact spare tire is not designed to be mounted on a regular wheel, and the compact wheel is not designed for mounting a regular tire.

Changing a Flat Tire

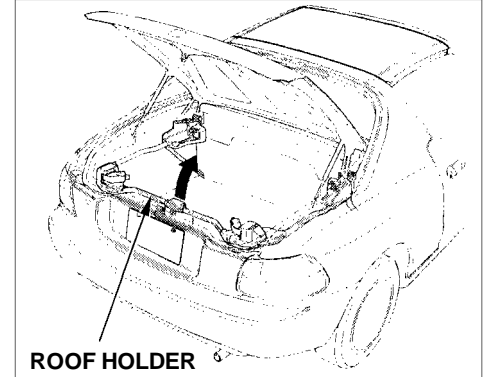
If you have a flat tire while driving, stop in a safe place to change it. Stopping in traffic or on the shoulder of a busy road is dangerous. Drive slowly along the shoulder until you get to an exit or an area to stop that is far away from the traffic lanes.

WARNING

The car can easily roll off the jack, seriously injuring anyone underneath.

Follow the directions for changing a tire exactly, and never get under the car when it is supported only by the jack.

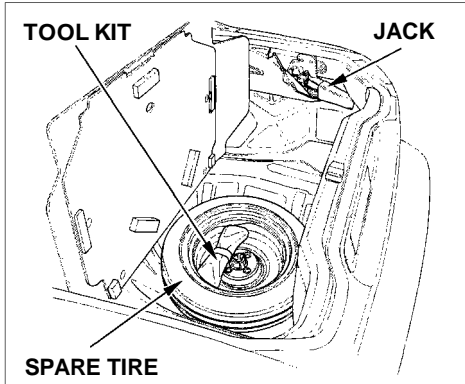
1. Park the car on firm, level ground away from traffic. Turn on the hazard warning lights and turn the ignition to LOCK (0).



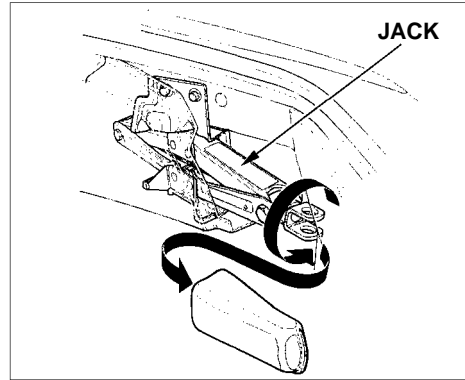
2. Put the transmission in Park (automatic) or Reverse (manual). Set the parking brake. Have your passenger get out of the car while you change the tire.
3. Open the trunk and lift up the roof holder. Raise the trunk floor by lifting up on the back edge.

CONTINUED

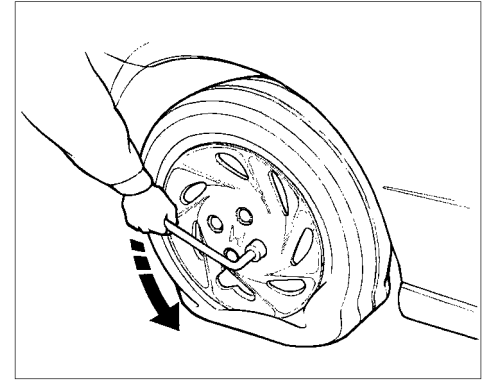
Changing a Flat Tire



4. Take the tool kit out of the trunk.
5. Unscrew the wing bolt and take the spare tire out of its well.

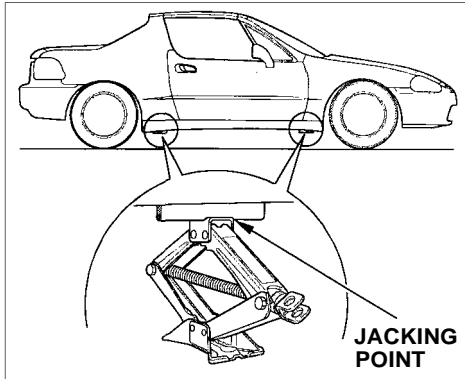


6. Turn the jack's end bracket counterclockwise to loosen it, then remove the jack.

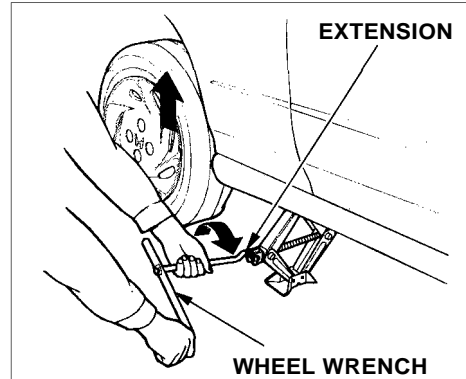


7. Loosen the four wheel nuts 1/2 turn with the wheel wrench.

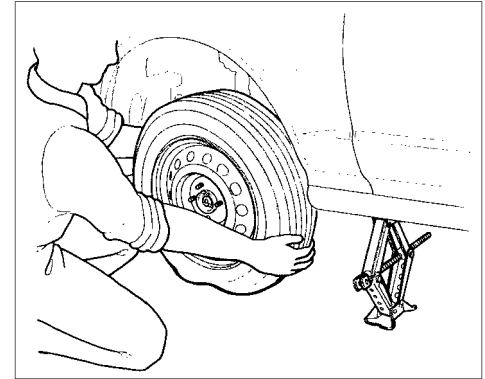
Changing a Flat Tire



8. Locate the jacking point nearest the tire you need to change. It is pointed to by an arrow molded into the underside of the body. Place the jack under the jacking point. Turn the end bracket clockwise until the top of the jack contacts the jacking point. Make sure the jacking point tab is resting in the jack notch.



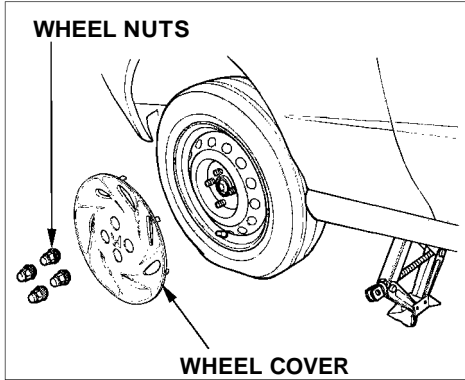
9. Use the extension and wheel wrench as shown to raise the car until the flat tire is off the ground.



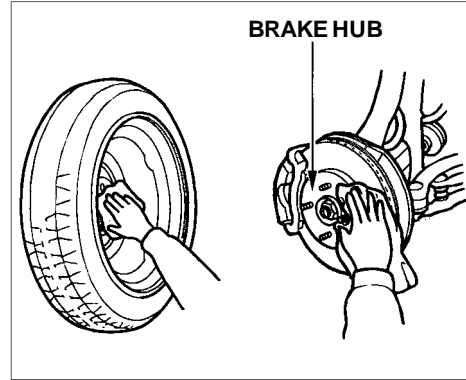
10. Remove the wheel nuts and flat tire. Temporarily place the flat tire on the ground with the outside surface of the wheel facing up. You could scratch the wheel if you put it face down.

CONTINUED

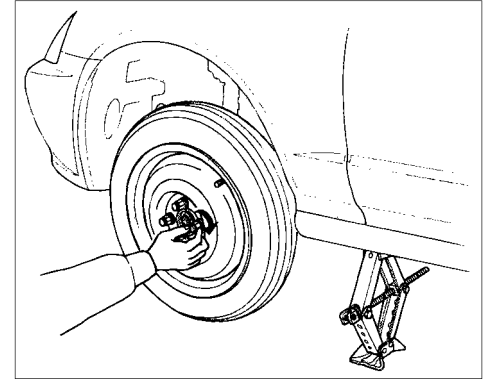
Changing a Flat Tire



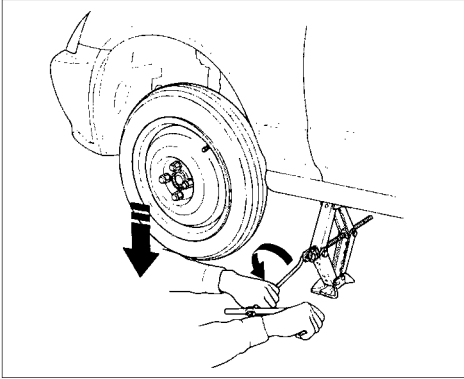
On S model
Do not attempt to forcibly pry the wheel cover off with a screwdriver or other tool. The wheel cover cannot be removed without first removing the wheel nuts.



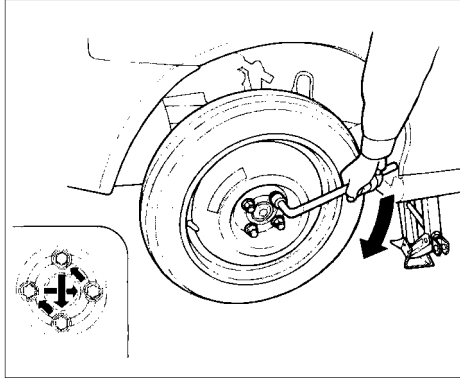
11. Before mounting the spare tire, wipe any dirt off the mounting surface of the wheel and hub with a clean cloth.



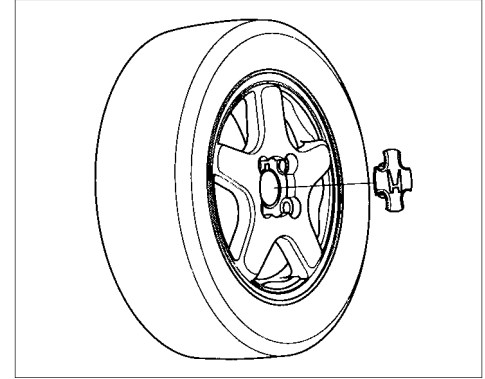
Changing a Flat Tire



13. Lower the car to the ground and remove the jack.



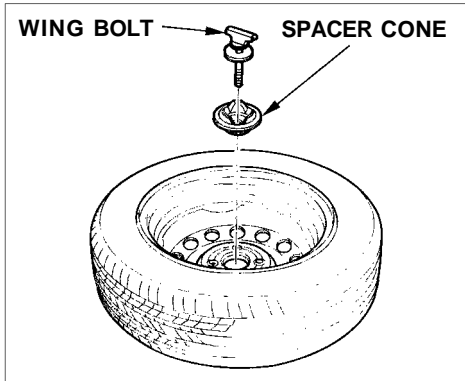
14. Tighten the wheel nuts securely in the same crisscross pattern. Have the wheel nut torque checked at the nearest automotive service facility.
Tighten the wheel nuts to:
80 lbf.ft (11 kgf.m, 108 N.m)



15. *On the Si and VTEC models*
Remove the center cap before storing the flat tire in the trunk well.

CONTINUED

Changing a Flat Tire



16. Place the flat tire face down in the spare tire well.
17. Remove the spacer cone from the wing bolt, turn it over, and put it back on the bolt.
18. Secure the flat tire by screwing the wing bolt back into its hole.

19. Store the jack in its holder with the end bracket facing to the rear. Turn the jack's end bracket to lock it in place. Replace the cover. Store the tool kit.

WARNING

Loose items can fly around the interior in a crash and could seriously injure the occupants.

Store the wheel, jack and tools securely before driving.

20. Store the wheel cover or center cap in the trunk. Make sure it does not get scratched or damaged.
21. Replace the trunk floor.
22. Lower the roof holder, then close the trunk lid.

Diagnosing why your engine won't start falls into two areas, depending on what you hear when you turn the key to START (III):

- You hear nothing, or almost nothing. The engine's starter motor does not operate at all, or operates very slowly.
- You can hear the starter motor operating normally, or the starter motor sounds like it is spinning faster than normal, but the engine does not start up and run.

Nothing Happens or the Starter Motor Operates Very Slowly

When you turn the ignition switch to START (III), you do not hear the normal noise of the engine trying to start. You may hear a clicking sound or series of clicks, or nothing at all. Check these things:

- Check the transmission interlock. If you have a manual transmission, the clutch pedal must be pushed all the way to the floor or the starter will not operate. With an automatic transmission, it must be in Park or Neutral.
- Turn the ignition switch to ON (II). Turn on the headlights and check their brightness. If the headlights are very dim or don't light at all, the battery is discharged. See **Jump Starting** on page [184](#).

- Turn the ignition switch to START (III). If the headlights do not dim, check the condition of the fuses. If the fuses are OK, there is probably something wrong with the electrical circuit for the ignition switch or starter motor. You will need a qualified technician to determine the problem. (See **Towing** on page [196](#).)

If the headlights dim noticeably or go out when you try to start the engine, either the battery is discharged or the connections are corroded. Check the condition of the battery and terminal connections (see page [148](#)). You can then try jump starting the car from a booster battery (see page [184](#)).

If Your Engine Won't Start, Jump Starting

The Starter Operates Normally

In this case, the starter motor's speed sounds normal, or even faster than normal, when you turn the ignition switch to START (III), but the engine does not run.

- Are you using the proper starting procedure? Refer to **Starting the Engine** on page 101.
- Do you have fuel? Turn the ignition switch to ON (II) for a minute and watch the fuel gauge. The low fuel level warning light may not be working, so you were not reminded to fill the tank.
- There may be an electrical problem, such as no power to the fuel pump. Check all the fuses (see page 191).

If you find nothing wrong, you will need a qualified technician to find the problem. See **Towing** on page 196.

Jump Starting

If your car's battery has run down, you may be able to start the engine by using a booster battery. Although this seems like a simple procedure, you should take several precautions.

WARNING

A battery can explode if you do not follow the correct procedure, seriously injuring anyone nearby.

Keep all sparks, open flames, and smoking materials away from the battery.

You cannot start a Honda with an automatic transmission by pushing or pulling it.

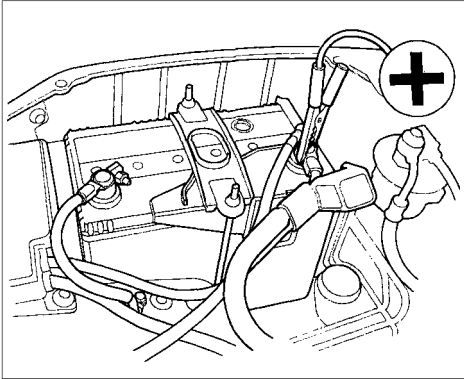
To jump start your car, follow these directions closely:

1. Open the hood and check the physical condition of the battery (see page 148). In very cold weather, check the condition of the electrolyte. If it seems slushy or like ice, do not try jump starting until it thaws.

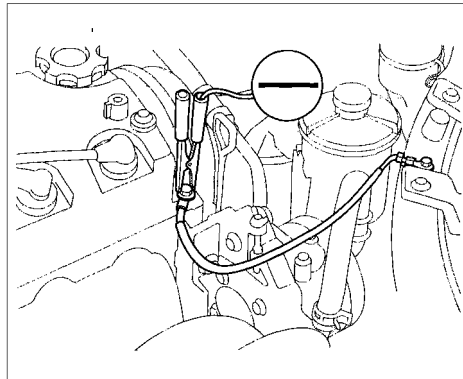
NOTICE

If a battery sits in extreme cold, the electrolyte inside can freeze. Attempting to jump start with a frozen battery can cause it to rupture.

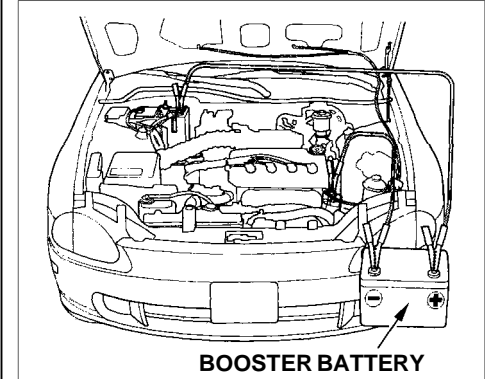
2. Turn off all the electrical accessories: heater, A/C, stereo system, lights, etc.
Put the transmission in Neutral or Park and set the parking brake.



3. Connect one jumper cable to the positive (+) terminal on the booster battery. Connect the other end to the positive (+) terminal on your Honda's battery.



4. Connect the second jumper cable to the negative (—) terminal on the booster battery. Connect the other end to the negative (—) terminal on the booster battery. Connect the other end to the grounding strap as shown. Do not connect this jumper cable to any other part of the engine.
5. If the booster battery is in another car, have an assistant start that car and run it at a fast idle.



6. Start your car. If the starter motor still operates slowly, check the jumper cable connections to make sure they have good metal-to-metal contact.
7. Once your car is running, disconnect the negative cable from your car, then from the booster battery. Disconnect the positive cable from your car, then the booster battery.

If Your Engine Overheats

The pointer of your car's temperature gauge should stay in the mid-range under most conditions. It may go higher if you are driving up a long steep hill on a very hot day. If it climbs to the red mark, you should determine the reason.

NOTICE

Driving with the temperature gauge pointer at the red mark can cause serious damage to your engine.

Your car can overheat for several reasons, such as lack of coolant or a mechanical problem. The only indication may be the temperature gauge climbing to or above the red mark. Or you may see steam or spray coming from under the hood. In either case, you should take immediate action.

WARNING

Steam and spray from an overheated engine can seriously scald you.

Do not open the hood if steam is coming out.

1. Safely pull to the side of the road. Put the transmission in Neutral or Park and set the parking brake. Turn off the heating and cooling system and all other accessories. Turn on the hazard warning indicators.
2. If you see steam and/or spray coming from under the hood, turn off the engine.
3. If you do not see steam or spray, leave the engine running and watch the temperature gauge. If the high heat is due to overloading (climbing a long, steep hill on a hot day with the A/C running, for example), the engine should start to cool down almost immediately. If it does, wait until the temperature gauge comes down to the mid-point then continue driving.

If Your Engine Overheats

4. If the temperature gauge stays at the red mark, turn off the engine.
5. Wait until you see no more signs of steam or spray, then open the hood.
6. Look for any obvious coolant leaks, such as a split radiator hose. Everything is still extremely hot, so use caution. If you find a leak, it must be repaired before you continue driving (see **Towing** on page 196).
7. If you don't find an obvious leak, check the coolant level in the radiator reserve tank (see page 95). If the level is below the MIN mark, add coolant to halfway between the MIN and MAX marks.
8. If there was no coolant in the reserve tank, you may also have to add coolant to the radiator. Let the engine cool down until the pointer

reaches the middle of the temperature gauge, or lower, before checking the radiator.

WARNING

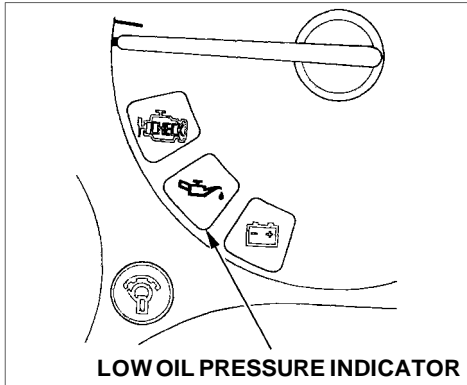
Removing the radiator cap while the engine is hot can cause the coolant to spray out, seriously scalding you.

Always let the engine and radiator cool down before removing the radiator cap.

9. Using gloves or a large heavy cloth, turn the radiator cap counterclockwise, without pushing down, to the first stop. This releases any remaining pressure in the cooling system. After the pressure releases, push down on the cap and turn it until it comes off.

10. Start the engine and set the temperature control lever to maximum. Add coolant to the radiator up to the base of the filler neck. If you do not have the proper coolant mixture available, you can add plain water. Remember to have the cooling system drained and refilled with the proper mixture as soon as you can.
11. Put the radiator cap back on tightly. Run the engine and watch the temperature gauge. If it goes back to the red mark, the engine needs repair. (See **Towing** on page 196.)
12. If the temperature stays normal, check the coolant level in the radiator reserve tank. If it has gone down, add coolant to the MAX mark. Put the cap back on tightly.

Low Oil Pressure Indicator



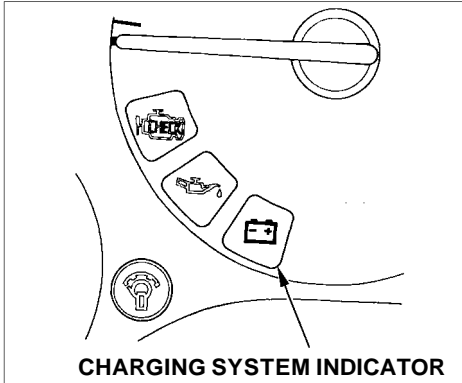
This indicator should light when the ignition is ON (II), and go out after the engine starts. It should never come on when the engine is running. If it starts flashing, it indicates that the oil pressure dropped very low for a moment, then recovered. If the indicator stays on with the engine running, it shows that the engine has lost oil pressure and serious engine damage is possible. In either case, you should take immediate action.

NOTICE

Running the engine with low oil pressure can cause serious mechanical damage almost immediately. Turn off the engine as soon as you can safely get the car stopped.

1. Safely pull off the road and shut off the engine. Turn on the hazard warning indicators.
2. Let the car sit for a minute. Open the hood and check the oil level (see page 128). Although oil level and oil pressure are not directly connected, an engine that is very low on oil can lose pressure during cornering and other driving maneuvers.
3. If necessary, add oil to bring the level back to the full mark on the dipstick (see page 128).
4. Start the engine and watch the oil pressure indicator. If the light does not go out within ten seconds, turn off the engine. There is a mechanical problem that needs to be repaired before you can continue driving. (See **Towing** on page 196.)

Charging System Indicator

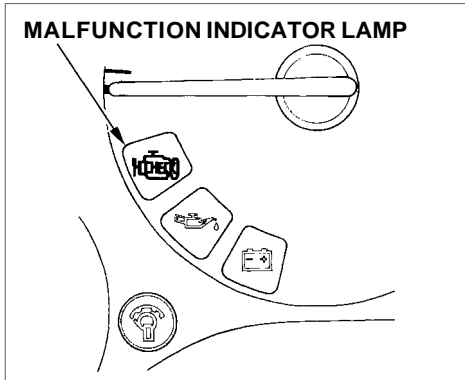


This indicator should come on when the ignition is ON (II), and go out after the engine starts. If it comes on brightly when the engine is running, it indicates that the charging system has stopped charging the battery.

Immediately turn off all electrical accessories: radio, heater, A/C, rear defogger, cruise control, etc. Try not to use other electrically-operated controls such as the power windows. Keep the engine running and take extra care not to stall it. Starting the engine will discharge the battery rapidly.

By eliminating as much of the electrical load as possible, you can drive several miles before the battery is too discharged to keep the engine running. Drive to a service station or garage where you can get technical assistance.

Malfunction Indicator Lamp



This indicator comes on for a few seconds when you turn the ignition switch ON (II). If it comes on at any other time, it indicates one of the engine's emissions control systems may have a problem. Even though you may feel no difference in your car's performance, it can reduce your fuel economy and cause your car to put out excessive emissions. Continued operation may cause serious damage.

If you have recently refueled your vehicle, the cause of this indicator coming on could be a loose or missing fuel fill cap. Check the cap and tighten it until it clicks. Replace the fuel fill cap if it is missing. Tightening the cap will not make the indicator turn off immediately; it takes three driving trips.

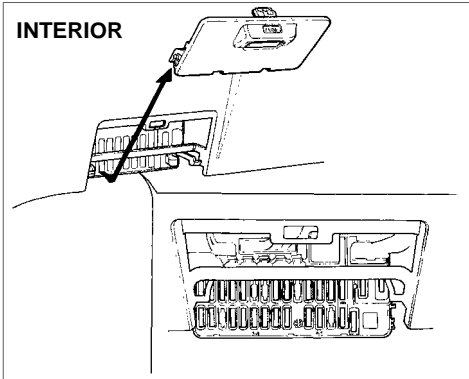
If the indicator remains on past three driving trips, or the fuel cap was not loose or missing, have the vehicle checked by the dealer as soon as possible. Drive moderately until the dealer has inspected the problem. Avoid full-throttle acceleration and driving at high speed.

You should also have the dealer inspect your vehicle if this indicator comes on repeatedly, even though it may turn off as you continue driving.

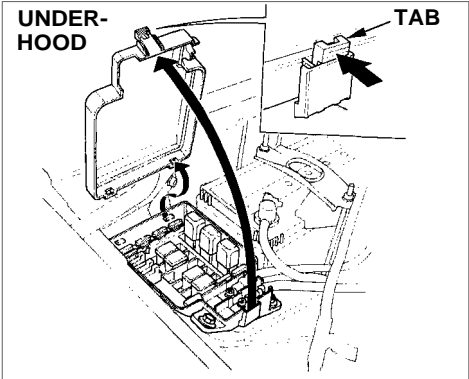
NOTICE

If you keep driving with the malfunction indicator lamp on, you can damage your car's emission controls and engine. Those repairs may not be covered by your car's warranties.

All the electrical circuits in your car have fuses to protect them from a short circuit or overload. These fuses are located in two or three fuse boxes.



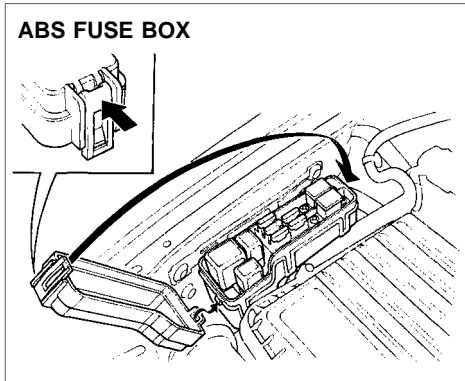
The interior fuse box is underneath the dashboard on the driver's side. Remove the fuse box lid by swinging the lid down and pulling it straight out of its hinges.



The under-hood fuse box is located in the engine compartment next to the battery. To open it, push the tab as shown.

CONTINUED

Fuses

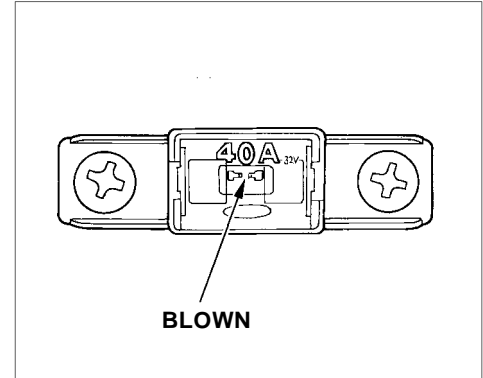


Cars equipped with ABS have a third fuse box for the ABS. It is in the front of the engine compartment on the passenger's side.

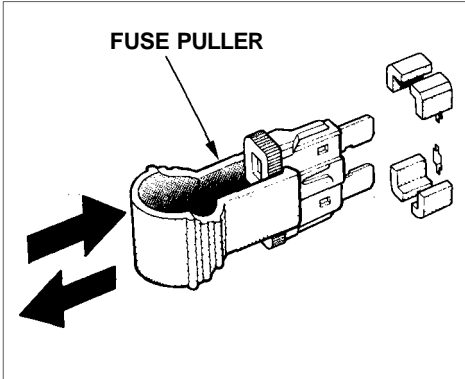
Checking and Replacing Fuses

If something electrical in your car stops working, the first thing you should check for is a blown fuse. Determine from the chart on pages [192](#) and [193](#), or the diagram on the fuse box lid, which fuse or fuses control that component. Check those fuses first, but check all the fuses before deciding that a blown fuse is not the cause. Replace any blown fuses and check the component's operation.

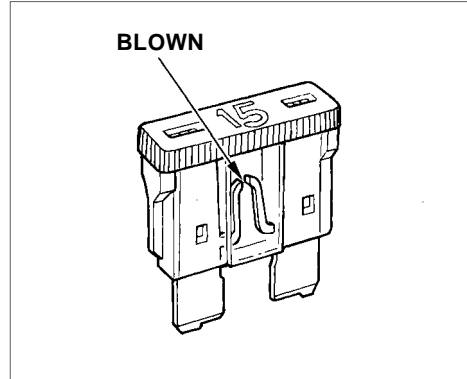
1. Turn the ignition switch to LOCK (0). Make sure the headlights and
2. Remove the cover from the fuse box.



3. Check each of the large fuses in the under-hood fuse box by looking through the top at the wire inside. Removing these fuses requires a Phillips-head screwdriver.



4. Check the smaller fuses in the under-hood fuse box and all the fuses in the interior fuse box by pulling out each fuse with the fuse puller provided in the interior fuse box.



5. Look for a burned wire inside the fuse. If it is burned, replace it with one of the spare fuses of the same rating or lower.

If you cannot drive the car without fixing the problem, and you do not have a spare fuse, take a fuse of the same rating or a lower rating from one of the other circuits. Make sure you can do without that circuit temporarily (such as the cigarette lighter or radio).

If you replace the blown fuse with a spare fuse that has a lower rating, it might blow out again. This does not indicate anything wrong. Replace the fuse with one of the correct rating as soon as you can.

NOTICE

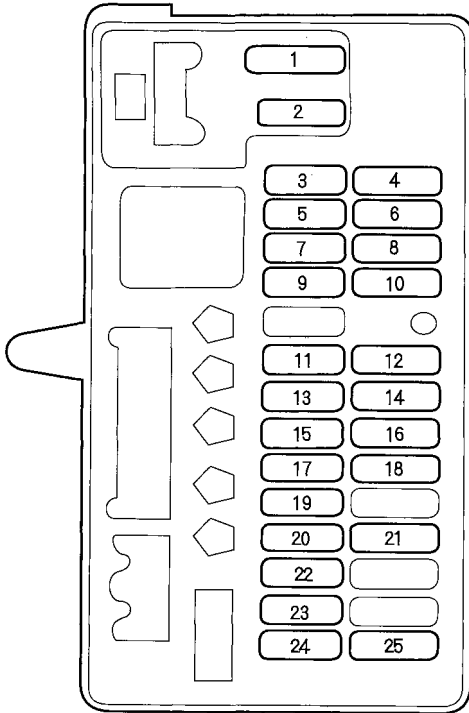
Replacing a fuse with one that has a higher rating greatly increases the chances of damaging the electrical system. If you do not have a replacement fuse with the proper rating for the circuit, install one with a lower rating.

6. If the replacement fuse of the same rating blows in a short time, there is probably a serious electrical problem in your car. Leave the blown fuse in that circuit and have your car checked by a qualified technician.

CONTINUED

Fuses

INTERIOR FUSE BOX

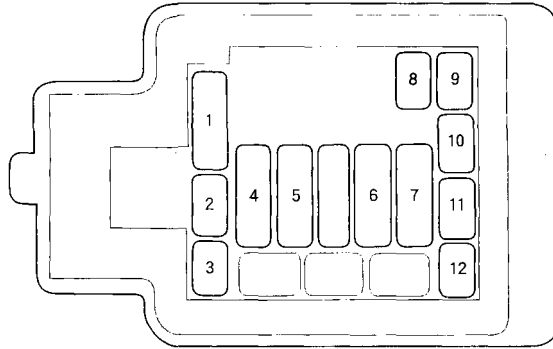


No.	Amps.	Circuits Protected
1	10 A	S.R.S
2	15 A	ACG (S)
3	20 A	Spare Fuse
4	15 A	Spare Fuse
5	15 A	Radio, Cigarette Lighter
6	—	Not Used
7	10 A	Left Headlight Low Beam
8	10 A	Left Headlight High Beam
9	10 A	Right Headlight Low Beam
10	10 A	Right Headlight High Beam
11	10 A	Taillight, Instrument Panel Light, License Plate Light
12	20 A	Left Power Window
13	7.5 A	Starter Signal
14	20 A	Rear Power Window
15	10 A	Daytime Running Light*

No.	Amps.	Circuits Protected
16	20 A	Power Door Lock
17	7.5 A	Daytime Running Light Relay*
18	20 A	Right Power Window
19	10 A	Back-up Light
20	20 A	Wiper, Washer, Power Window Relay
21	7.5 A	Interior Light
22	7.5 A	Rear Defroster Relay, Heater Motor Relay, Cooling Fan Motor Relay
23	15 A	ACG (S)
24	10 A	Spare Fuse
25	7.5 A	Spare Fuse

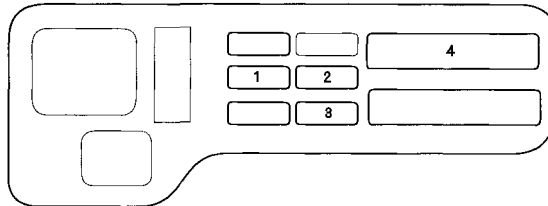
* : On Canadian cars

UNDER-HOOD FUSE BOX



No.	Amps.	Circuits Protected
1	80 A	Main Fuse Battery
2	15 A	Stop, Horn
3	10 A	Hazard
4	40 A	Main Fuse Light
5	50 A	Main Fuse Ignition
6	30 A	Main Fuse Heater Motor
7	50 A	Main Fuse Option
8	20 A	Condenser Fan
9	15 A	ECU (ECM)
10	7.5 A	Back Up
11	15 A	Cooling Fan
12	15 A	Main Fuse Rear Defroster

ABS FUSE BOX



No.	Amps.	Circuits Protected
1	7.5 A	Motor Check
2	15 A	ABS + B2
3	20 A	ABS + B1
4	50 A	ABS Pump Motor

Towing

If your car needs to be towed, call a professional towing service or, if you belong to one, an organization that provides roadside assistance. Never tow your car behind another car with just a rope or chain. It is very dangerous.

Emergency Towing

There are three popular methods of towing a car:

Flat-bed Equipment—The operator loads your car on the back of a truck. **This is the best way of transporting your Honda.**

Wheel Lift Equipment—The tow truck uses two pivoting arms that go under the tires (front or rear) and lift them off the ground. The other two tires remain on the ground.

Sling-type Equipment—The tow truck uses metal cables with hooks on the ends. These hooks go around parts of the frame or suspension and the cables lift that end of the car off the ground. Your car's suspension and body can be seriously damaged if this method of towing is attempted.

If your Honda cannot be transported by flat-bed, it should be towed with the front wheels off the ground. If due to damage, your car must be towed with the front wheels on the ground, do the following:

5-speed Manual Transmission

- Release the parking brake.
- Shift the transmission to Neutral.

Automatic Transmission:

- Release the parking brake.
- Start the engine.
- Shift to D₄, then to N.
- Turn off the engine.

NOTICE

Improper towing preparation will damage the transmission. Follow the above procedure exactly. If you cannot shift the transmission or start the engine (automatic transmission), your car must be transported on a flat-bed.

- It is best to tow the car no farther than 50 miles (80 km), and keep the speed below 35 mph (55 km/h).

NOTICE

Trying to lift or tow your car by the bumpers will cause serious damage. The bumpers are not designed to support the car's weight.

The diagrams in this section give you the dimensions and capacities of your Honda, and the locations of the identification numbers. The explanations of several electronic and mechanical systems on your Honda are for the more technically-oriented owner.

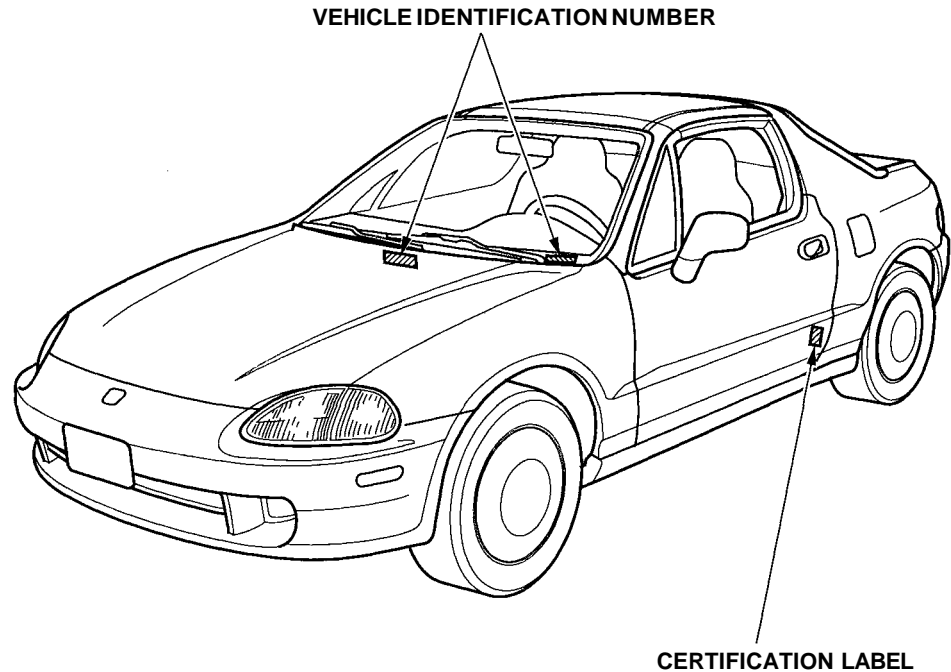
- Identification Numbers..... 198
- Specifications..... 200
- Tire Information..... 202
 - Tire Size Designation..... 202
 - Wheel Size Designation..... 202
 - Tire Speed Ratings..... 202
 - Tire Pressure Adjustment
 - For High Speed Driving..... 203
 - DOT Tire Quality Grading..... 203
 - Treadwear..... 204
 - Traction..... 204
 - Temperature..... 204

- Emission Controls..... 205
 - The Clean Air Act..... 205
 - Crankcase Emission Control System..... 205
 - Evaporative Emission Control System..... 205
 - Exhaust Emission Controls..... 206
 - PGM-FI System..... 206
 - Ignition Timing Control System..... 206
 - Three Way Catalytic Converter..... 206
 - Replacement Parts..... 206
 - Three Way Catalytic Converter... 207

Identification Numbers

Your car has several identifying numbers located in various places.

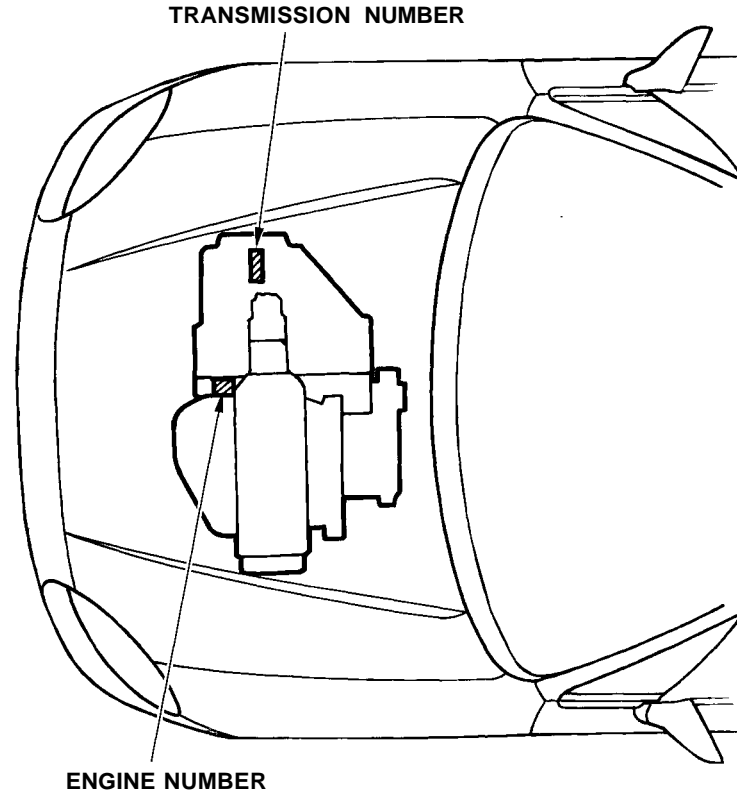
The Vehicle Identification Number (VIN) is the 17-digit number your Honda dealer uses to register your car for warranty purposes. It is also necessary for licensing and insuring your car. The easiest place to find the VIN is on a plate fastened to the top of the dashboard. You can see it by looking through the windshield on the driver's side. It is also on the Certification label attached to the driver's doorjamb, and is stamped on the engine compartment bulkhead. The VIN is also provided in bar code on the Certification label.



Identification Numbers

The Engine Number is stamped into the engine block.

The Transmission Number is on a label on top of the transmission.



Specifications

Dimensions

Length		4,005 mm (157.7 in)
Width		1,695 mm (66.7 in)
Height		1,255 mm (49.4 in)
Wheelbase		2,370 mm (93.3 in)
Track	Front	1,475 mm (58.1 in)
	Rear	1,465 mm (57.7 in)

Weights

Gross vehicle weight rating	See the certification label attached to the driver's doorjamb.
-----------------------------	--

Engine

Type	Water cooled 4-stroke SOHC ^{*1} , SOHC VTEC ^{*2} , DOHC VTEC ^{*3} 4-cylinder gasoline engine
Bore x Stroke	75.0 x 90.0 mm (2.95 x 3.54 in) ^{*1 *2} 81.0 x 77.4 mm (3.19 x 3.05 in) ^{*3}
Displacement	1,590 cm ³ (97.0 cu-in) ^{*1 *2} 1,595 cm ³ (97.3 cu-in) ^{*3}
Compression ratio	9.4 : 1 ^{*1} 9.6 : 1 ^{*2} 10.2 : 1 ^{*3}
Spark plugs	See spark plug maintenance section page 146.

- * 1 : S
- * 2 : Si
- * 3 : VTEC

Capacities

Fuel tank		Approx. 11.9 US gal (45 ℓ, 9.9 Imp gal)	
Engine coolant	Change ^{*1}	0.82 US gal (3.1 ℓ, 0.68 Imp gal)	
	Manual	1.19 US gal (4.5 ℓ, 0.99 Imp gal) ^{*4}	
	Automatic	0.79 US gal (3.0 ℓ, 0.66 Imp gal) ^{*2} 0.85 US gal (3.2 ℓ, 0.70 Imp gal) ^{*3}	
	Total	1.11 US gal (4.2 ℓ, 0.92 Imp gal)	
	Manual	1.32 US gal (5.0 ℓ, 1.10 Imp gal) ^{*4}	
Automatic	Automatic	1.08 US gal (4.1 ℓ, 0.90 Imp gal) ^{*2} 1.14 US gal (4.3 ℓ, 0.95 Imp gal) ^{*3}	
	Total	1.14 US gal (4.3 ℓ, 0.95 Imp gal) ^{*3}	
Engine oil	Change ^{*5}	3.5 US qt (3.3 ℓ, 2.9 Imp qt)	
	Including filter	4.2 US qt (4.0 ℓ, 3.5 Imp qt) ^{*4}	
	Without filter	3.2 US qt (3.0 ℓ, 2.6 Imp qt)	
	Total	4.2 US qt (4.0 ℓ, 3.5 Imp qt) ^{*4} 5.1 US qt (4.8 ℓ, 4.2 Imp qt) ^{*4}	
	Manual	Change	1.9 US qt (1.8 ℓ, 1.6 Imp qt) 2.4 US qt (2.3 ℓ, 2.0 Imp qt) ^{*4}
transmission fluid	Total	2.0 US qt (1.9 ℓ, 1.7 Imp qt) 2.5 US qt (2.4 ℓ, 2.1 Imp qt) ^{*4}	
	Automatic trans- mission fluid	Change	2.9 US qt (2.7 ℓ, 2.4 Imp qt) Total
Windshield washer reservoir	U.S. Cars	2.6 US qt (2.5 ℓ, 2.2 Imp qt)	
	Canadian Cars	4.8 US qt (4.5 ℓ, 4.0 Imp qt)	

- * 1 : Including the coolant in the reserve tank and that remaining in the engine.

Reserve tank capacity: 0.11 US gal (0.4 ℓ, 0.09 Imp gal)

- * 2 : S * 3 : Si * 4 : VTEC
- * 5 : Excluding the oil remaining in the engine.

Specifications

Air Conditioning

Refrigerant type	HFC-134a (R-134a)
Charge quantity	17.6 – 19.4 oz (500 – 550 g)
Lubricant type	SP-10

Lights

Headlights (HI/LO)	12 V – 60/55 W (HB2)
Front turn signal/ Side marker/Parking lights	12 V – 43/3 CP (SAE 3496)
Rear turn signal lights	12 V – 32 CP (SAE 1156)
Stop/Taillights	12 V – 32/2 CP (SAE 2057)
Rear side marker lights	12 V – 3 CP (SAE 168)
Back-up lights	12 V – 32 CP (SAE 1156)
License plate lights	12 V – 8 W
Interior light	12 V – 5 W
Trunk light	12 V – 3.4 W

Battery

Capacity	12 V – 36 AH/5 HR 12 V – 47 AH/20 HR
----------	---

Fuses

Interior	See page 194 or the fuse label attached to the inside of the fuse box door under the dashboard.
Under-hood	See page 195 or the fuse box cover.

Alignment

Toe-in	Front	0.0 mm (0.00 in)
	Rear	2.0 mm (0.08 in)
Camber	Front	–15' –20'*
	Rear	–30'
Caster	Front	1°10'

* : VTEC

Tires

Size	Front/Rear	P175/70R13 82S *1 P185/60R14 82H *2 P195/60R14 85V *3
	Spare	T105/80D13 *4 T135/70D15 *5
Pressure	Front/Rear	32 psi (220 kPa, 2.2 kgf/cm ²)*1 29 psi (200 kPa, 2.0 kgf/cm ²)*2*3
	Spare	60 psi (420 kPa, 4.2 kgf/cm ²)

* 1 : S

* 2 : Si

* 3 : VTEC

* 4 : U.S.: S, Si without ABS, Canada : Si

* 5 : VTEC, U.S. Si with ABS

Tire Information

Tire Size Designation

A tire's sidewall is marked with a tire size designation. You will need this information when selecting replacement tires for your car. The following explains what the letters and numbers in the tire size designation mean.

(Example tire size designation)
P185/60R14 82H

P — Applicable vehicle type (tires marked with the prefix "P" are intended for use on passenger cars; however, not all tires have this marking).

185 — Tire width in millimeters.

60 — Aspect ratio. The tire's section height as a percentage of its width.

R — Tire construction code (Radial).

14 — Rim diameter in inches.

82 — Load Index, a numerical code associated with the maximum load the tire can carry.

H — Speed Rating Symbol. See the speed rating chart in this section for additional information.

Wheel Size Designation

Wheels are also marked with important information that you need if you ever have to replace one. The following explains what the letters and numbers in the wheel size designation mean.

(Example wheel size designation)
14 x 5-1/2 JJ

14 — Rim diameter in inches.

5-1/2 — Rim width in inches.

JJ — Rim contour designation.

Tire Speed Ratings

The chart below shows many of the different speed ratings currently being used for passenger car tires. The speed rating symbol is part of the tire size designation on the sidewall of the tire. This symbol corresponds to that tire's designed maximum safe operating speed.

Speed Rating Symbol	Maximum Speed
S	112 mph (180 km/h)
T	118 mph (190 km/h)
H	130 mph (210 km/h)
V	149 mph (240 km/h)
Z	Above 149 mph (240 km/h)

Tire Pressure Adjustment For High Speed Driving

Honda strongly recommends that you not drive faster than posted speed limits and conditions allow. If you decide it is safe to drive at high speeds, be sure to adjust the cold tire pressures as shown below. If you do not adjust the tire pressure, excessive heat can build up and cause sudden tire failure.

(S)

Tire Size	Cold Tire Pressure for Speeds over 160 km/h (100 mph)
P175/70R13 82S	35 psi (240 kPa, 2.4 kgf/cm ²)

(Si)

Tire Size	Cold Tire Pressure for Speeds over 160 km/h (100 mph)
P185/60R14 82H	35 psi (240 kPa, 2.4 kgf/cm ²)

(VTEC)

Tire Size	Cold Tire Pressure for Speeds over 160 km/h (100 mph)
P195/60R14 85V	35 psi (240 kPa, 2.4 kgf/cm ²)

Be sure to readjust the pressure for normal driving speeds. You should wait until the tires are cold before adjusting the tire pressure (see page [156](#)).

DOT Tire Quality Grading (U.S. Cars)

The tires on your car meet all U.S. Federal Safety Requirements. All tires are also graded for treadwear, traction, and temperature performance according to Department of Transportation (DOT) standards. The following explains these gradings.

CONTINUED

Tire Information

Treadwear

The treadwear grade is a comparative rating based on the wear rate of the tire when tested under controlled conditions on a specified government test course. For example, a tire graded 150 would wear one and one half (1-1/2) times as well on the government course as a tire graded 100. The relative performance of tires depends upon the actual conditions of their use, however, and may depart significantly from the norm due to variations in driving habits, service practices and differences in road characteristics and climate.

Traction

The traction grades, from highest to lowest, are A, B, and C, and they represent the tire's ability to stop on wet pavement as measured under controlled conditions on specified government test surfaces of asphalt and concrete. A tire marked C may have poor traction performance.

Warning: The traction grade assigned to this tire is based on braking (straight ahead) traction tests and does not include cornering (turning) traction.

Temperature

The temperature grades are A (the highest), B, and C, representing the tire's resistance to the generation of heat and its ability to dissipate heat when tested under controlled conditions on a specified indoor laboratory test wheel. Sustained high temperature can cause the material of the tire to degenerate and reduce tire life, and excessive temperature can lead to sudden tire failure. The grade C corresponds to a level of performance which all passenger car tires must meet under the Federal Motor Vehicle Safety Standard No. 109. Grades B and A represent higher levels of performance on the laboratory test wheel than the minimum required by law.

Warning: The temperature grade for this tire is established for a tire that is properly inflated and not over-inflated. Excessive speed, underinflation, or excessive loading either separately or in combination, can cause heat build-up and possible tire failure.

The burning of gasoline in your car's engine produces several byproducts. Some of these are carbon monoxide (CO), oxides of nitrogen (NOx) and hydrocarbons (HC). Gasoline evaporating from the tank also produces hydrocarbons. Controlling the production of NOx, CO, and HC is important to the environment. Under certain conditions of sunlight and climate, NOx and HC react to form photochemical "smog." Carbon monoxide does not contribute to smog creation, but it is a poisonous gas.

The Clean Air Act

The United States Clean Air Act* sets standards for automobile emissions. It also requires that automobile manufacturers explain to owners how their emission controls work and what to do to maintain them. This section summarizes how the emission controls work. Scheduled maintenance is on page [120](#).

* In Canada, Honda vehicles comply with the Canadian Motor Vehicle Safety Standards (CMVSS) for Emissions valid at the time they are manufactured.

Crankcase Emission Control System

Your car has a Positive Crankcase Ventilation System. This keeps gasses that build up in the engine's crankcase from going into the atmosphere. The Positive Crankcase Ventilation valve routes them from the crankcase back to the intake manifold. They are then drawn into the engine and burned.

Evaporative Emission Control System

As gasoline evaporates in the fuel tank, an evaporative emission control canister filled with charcoal adsorbs the vapor. It is stored in this canister while the engine is off. After the engine is started and warmed up, the vapor is drawn into the engine and burned during driving.

Emission Controls

Exhaust Emission Controls

The exhaust emission controls include three systems: PGM-FI, Ignition Timing Control and Three Way Catalytic Converter. These three systems work together to control the engine's combustion and minimize the amount of HC, CO, and NOx that comes out the tailpipe. The exhaust emission control systems are separate from the crankcase and evaporative emission control systems.

PGM-FI System

The PGM-FI System uses sequential multiport fuel injection. It has three subsystems: Air Intake, Engine Control, and Fuel Control. The Engine Control Module (ECM) uses various sensors to determine how much air is going into the engine. It then controls how much fuel to inject under all operating conditions.

Ignition Timing Control System

This system constantly adjusts the ignition timing, reducing the amount of HC, CO and NOx produced.

Three Way Catalytic Converter

The three way catalytic converter is in the exhaust system. Through chemical reactions, it converts HC, CO, and NOx in the engine's exhaust to carbon dioxide (CO₂), dinitrogen (N₂), and water vapor.

Replacement Parts

The emission control systems are designed and certified to work together in reducing emissions to levels that comply with the Clean Air Act. To make sure the emissions remain low, you should use only new Genuine Honda replacement parts or their equivalent for repairs. Using lower quality parts may increase the emissions from your car.

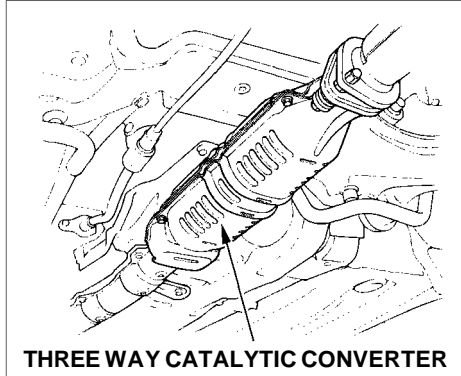
The emissions control systems are covered by warranties separate from the rest of your car. Read your warranty manual for more information.

Three Way Catalytic Converter

The three way catalytic converter contains precious metals that serve as catalysts, promoting chemical reactions to convert the exhaust gasses without affecting the metals. The catalytic converter is referred to as a three-way catalyst, since it acts on HC, CO, and NOx. A replacement unit must be an original Honda part or its equivalent.

The three way catalytic converter must operate at a high temperature for the chemical reactions to take place. It can set on fire any combustible materials that come near it. Park your car away from high grass, dry leaves, or other flammables.

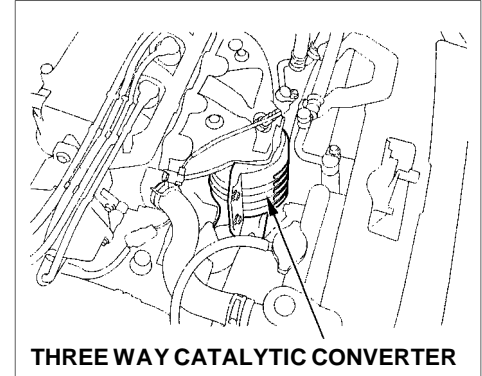
(Si, VTEC)



A defective three way catalytic converter contributes to air pollution, and can impair your engine's performance. Follow these guidelines to protect your car's three way catalytic converter.

- Always use unleaded gasoline. Even a small amount of leaded gasoline can contaminate the catalyst metals, making the three way catalytic converter ineffective.

(S)



- Keep the engine tuned-up.
- Have your car diagnosed and repaired if it is misfiring, back-firing, stalling, or otherwise not running properly.

Warranty and Customer Relations

Customer Relations Information.....	210
U.S. Zone Office Map.....	211
Canada Zone Office Map.....	212
Reporting Safety Defects (U.S. Cars).....	213
Warranty Coverages.....	214
Authorized Manuals.....	215

Customer Relations Information

Honda dealership personnel are trained professionals. They should be able to answer all your questions. If you encounter a problem that your dealership does not solve to your satisfaction, please discuss it with the dealership's management. The Service Manager or General Manager can help. Almost all problems are solved in this way.

If you are dissatisfied with the decision made by the dealership's management, contact your Honda Customer Relations Zone Office. Refer to the U.S. and Canadian Zone Office maps on the following pages.

When you call or write, please give us this information:

- Vehicle Identification Number (see page [198](#))
- Name and address of the dealer who services your car
- Date of purchase
- Mileage on your car
- Your name, address, and telephone number
- A detailed description of the problem
- Name of the dealer who sold the car to you

Reporting Safety Defects (U.S. Cars)

If you believe that your vehicle has a defect which could cause a crash or could cause injury or death, you should immediately inform the National Highway Traffic Safety Administration (NHTSA) in addition to notifying American Honda Motor Co., Inc.

If NHTSA receives similar complaints, it may open an investigation, and if it finds that a safety defect exists in a group of vehicles, it may order a recall and remedy campaign. However, NHTSA cannot become involved in individual problems between you, your dealer, or American Honda Motor Co., Inc.

To contact NHTSA, you may either call the Auto Safety Hotline toll-free at 1-800-424-9393 (or 366-0123 in Washington D.C. area) or write to: NHTSA, U.S. Department of Transportation, Washington, D.C. 20590. You can also obtain other information about motor vehicle safety from the Hotline.

Warranty Coverages

U.S. Owners

Your new Honda is covered by these warranties:

New Car Limited Warranty — covers your new car, except for the battery, emissions control systems and accessories, against defects in materials and workmanship.

Emissions Control Systems Defects Warranty and Emissions

Performance Warranty — these two warranties cover your car's emissions control systems. Time, mileage, and coverage are conditional. Please read the warranty manual for exact information.

Original Equipment Battery Limited Warranty — this warranty gives up to 100 percent credit toward a replacement battery.

Seat Belt Limited Warranty — a seat belt that fails to function properly is covered for the useful life of the car.

Rust Perforation Limited Warranty — all exterior body panels are covered for rust-through from the inside for the specified time period with no mileage limit.

Accessory Limited Warranty — Genuine Honda Accessories are covered under this warranty. Time and mileage limits depend on the type of accessory and other factors. Please read your warranty manual for details.

Replacement Parts Limited Warranty — covers all Genuine Honda replacement parts against defects in materials and workmanship.

Replacement Battery Limited Warranty — provides prorated coverage for a replacement battery purchased from a Honda dealer.

Replacement Muffler Lifetime Limited Warranty — provides coverage for as long as the purchaser of the muffler owns the car.

Restrictions and exclusions apply to all these warranties. Please read the 1997 Honda Warranties booklet that came with your car for precise information on warranty coverages. Your Honda's original tires are covered by their manufacturer. Tire warranty information is in a separate booklet.

Canadian Owners

Please refer to the 1997 Warranty Manual that came with your car.

A

- Accessories
 - Installation..... 97
- ACCESSORY (Ignition Key Position)..... 47
- Adding
 - Automatic Transmission Fluid..... 139
 - Brake Fluid..... 141
 - Clutch Fluid..... 142
 - Engine Coolant..... 133
 - Engine Oil..... 128
 - Manual Transmission Fluid 140
 - Power Steering Fluid..... 143
 - Windshield Washer Fluid..... 138
- Additional Safety Information..... 16
 - Door Locks..... 16
 - Driving with Pets..... 17
 - Seat-back Position..... 16
 - Storing Cargo Safely..... 17
- Additives, Engine Oil..... 130
- Adjustments
 - Mirrors..... 60
 - Seats..... 50
 - Steering Wheel..... 42

- Airbag (SRS)..... 10
- Air Cleaner Element..... 144
- Air Conditioning..... 68
 - Maintenance..... 153
 - Usage..... 68
- Air Outlets (Vents)..... 70
- Air Pressure, Tires..... 156
 - High Speed Driving..... 203
 - Normal Driving..... 156
- Alcohol and Drugs..... 25
- Alcohol in Gasoline..... 90
- Aluminum Wheels, Cleaning..... 171
- Antifreeze..... 133
- Anti-lock Brakes (ABS)
 - Description..... 111
 - Indicator Light..... 34, 113
 - Operation..... 112
- Anti-theft Steering Column Lock .. 46
- Appearance Care..... 169
- Ashtray..... 64
- Audio System..... 76
- Automatic Speed Control..... 43
- Automatic Transmission..... 104
 - Capacity, Fluid..... 200
 - Checking Fluid Level..... 139
 - Shifting..... 106

- Shift Lever Position Indicator.. 104
- Shift Lever Positions..... 104
- Shift Lock Release..... 108

B

- Battery
 - Charging System
 - Indicator.....32, 189
 - Jump Starting..... 184
 - Maintenance..... 148
 - Specifications..... 201
- Before Driving..... 89
- Belts, Seat..... 5
- Beverage Holder..... 63
- Body Repair..... 174
- Brakes
 - Anti-lock System (ABS)..... 111
 - Break-in, New Linings..... 90
 - Fluid..... 141
 - Light, Burned-out..... 165
 - Parking..... 61
 - System Indicator..... 32
 - Wear Indicators..... 110

CONTINUED

Index

Brakes, ABS	
Description.....	111
Operation.....	112
System Indicator.....	34, 113
Braking System.....	110
Break-in, New Car.....	90
Brightness Control, Instruments...	39
Brights, Headlights.....	38
Bulb Replacement	
Back-up Lights.....	165
Brake Lights.....	165
Front Parking Lights.....	164
Front Side Marker Lights.....	164
Headlights.....	162
Interior Light.....	166
License Plate Lights.....	166
Rear Side Marker Lights.....	165
Specifications.....	201
Trunk Light.....	166
Turn Signal Lights.....	164
Bulbs, Halogen.....	162

C

Cables, Jump Starting With.....	184
Capacities Chart.....	200

Carbon Monoxide Hazard.....	26
Cargo, Loading.....	98
Cassette Player	
Care.....	83
Operation.....	81
CAUTION, Explanation of.....	ii
CD Changer.....	84
Certification Label.....	198
Chains.....	161
Change Oil	
How to.....	130
When to.....	122
Changing a Flat Tire	177
Changing Engine Coolant.....	135
Charging System Indicator....	32, 189
Checking	
Automatic Transmission	
Fluid.....	139
Battery Condition.....	148
Brake Fluid.....	141
Clutch Fluid.....	142
Drive Belts.....	155
Engine Coolant.....	133
Engine Oil.....	128
Fuses.....	192
Manual Transmission Fluid	140

Power Steering Fluid.....	143
Checklist, Before Driving.....	100
Child Safety.....	18
Cigarette Lighter.....	64
Cleaner, Air.....	144
Cleaning	
Aluminum Wheels.....	171
Carpeting.....	172
Exterior.....	170
Fabric.....	172
Interior.....	172
Seat Belts.....	172
Vinyl.....	172
Windows.....	173
CLEAN Light.....	83
Clock, Setting the	62
Clutch Fluid.....	142
Code, Audio System.....	88
CO in the Exhaust.....	206
Cold Weather, Starting in.....	101
Compact Spare.....	176
Consumer Information*.....	210
Controls, Instruments and.....	29

Coolant
 Adding..... 133
 Checking..... 95
 Proper Solution..... 133
 Replacing..... 135
 Temperature Gauge..... 36
 Corrosion Protection..... 173
 Crankcase Emission Control
 System..... 205
 Cruise Control Operation..... 43
 Customer Relations Office..... 210

D

DANGER, Explanation of..... ii
 Dashboard..... 30
 Daytime Running Lights..... 38
 Dead Battery, What to Do..... 184
 Defects, Reporting Safety..... 213
 Defogger, Rear Window..... 41
 Defrosting the Windows..... 73
 DEXRON® III Automatic
 Transmission Fluid..... 139
 Dimensions..... 200
 Dimming the Headlights..... 38

Dipstick
 Automatic Transmission..... 139
 Engine Oil..... 128
 Directional Signals..... 39
 Disabled, Towing Your Car If..... 196
 Disc Brake Wear Indicators..... 111
 Disposal of Used Oil..... 131
 Doors
 Locking and Unlocking..... 47
 DOT Tire Quality Grading..... 203
 Downshifting, 5-speed Manual
 Transmission..... 102
 Drive Belts..... 155
 Driving..... 99
 Economy..... 96
 In Bad Weather..... 114
 In Foreign Countries..... 91

E

Economy, Fuel..... 96
 Emergencies on the Road..... 175
 Battery, Jump Starting..... 184
 Changing a Flat Tire..... 177
 Charging System Indicator..... 189
 Checking the Fuses..... 192

Low Oil Pressure Indicator..... 188
 Malfunction Indicator Lamp.... 190
 Overheated Engine..... 186
 Emergency Brake..... 61
 Emergency Flashers..... 41
 Emission Controls..... 205
 Engine
 Coolant Temperature Gauge 36
 Malfunction Indicator
 Lamp..... 33, 190
 Oil Pressure Indicator..... 32, 188
 Oil, What Kind to Use..... 129
 Overheating..... 186
 Specifications..... 200
 Ethanol in Gasoline 91
 Evaporative Emission Controls.... 205
 Exhaust Fumes..... 26
 Expectant Mothers, Use of Seat
 Belts by..... 9
 Exterior, Cleaning the..... 170

F

Fabric, Cleaning..... 172

CONTINUED

Index

Fan, Interior.....	68
Features, Comfort and Convenience.....	67
Filling the Fuel Tank.....	92
Filters	
Air.....	144
Oil.....	130
First Gear, Shifting.....	107
5-speed Manual Transmission	
Checking Fluid Level.....	140
Shifting the.....	102
Flashers, Hazard Warning.....	41
Flat Tire, Changing a.....	177
Fluids	
Automatic Transmission.....	139
Brake.....	141
Clutch.....	142
Manual Transmission.....	140
Power Steering.....	143
Windshield Washer.....	138
FM Stereo Radio	
Reception.....	79
Foreign Countries, Driving in.....	91
Four-way Flashers.....	41
Front End, Towing by	
Emergency Wrecker.....	196

Fuel.....	90
Fill Door and Cap.....	92
Gauge.....	36
Octane Requirement.....	90
Oxygenated.....	90
Reserve Indicator.....	33
Tank, Filling the.....	92
Fuses, Checking the.....	192

G

Gas Mileage, Improving.....	96
Gasohol.....	91
Gasoline.....	90
Fuel Reserve Indicator.....	33
Gauge.....	36
Octane Requirement.....	90
Tank, Filling the.....	92
Gas Station Procedures.....	92
Gauges	
Engine Coolant Temperature	36
Fuel.....	36
Gearshift Lever Positions	
Automatic Transmission.....	104
5-speed Manual Transmission.....	102

Glass Cleaning.....	173
Glove Box.....	61

H

Halogen Headlight Bulbs.....	162
Hazard Warning Flashers.....	41
Headlights	
Daytime Running Lights.....	38
High Beam Indicator.....	34
High Beams, Turning on.....	38
Low Beams, Turning on.....	38
Reminder Beeper.....	38
Replacing Halogen Bulbs	162
Turning on.....	38
Heating and Cooling.....	68
High Altitude, Starting at.....	101
High-Low Beam Switch	38
Hood, Opening the	93
Horn.....	37
Hot Coolant, Warning about.....	133
Hydraulic Clutch.....	142
Hydroplaning.....	115

I

Identification Number, Vehicle....	198
If Your Car Has to be Towed.....	196
Ignition	
Keys.....	45
Switch.....	46
Timing Control System.....	206
Indicator Lights, Instrument	
Panel.....	31
Infant Restraint.....	20
Inflation, Proper Tire	156
High Speed Driving.....	203
Normal Driving.....	156
Inside Mirror.....	60
Inspection, Tire.....	157
Instrument Panel.....	30
Instrument Panel Brightness.....	39
Interior Cleaning.....	172
Interior Light.....	65
Introduction.....	i

J

Jacking up the Car.....	179
Jack, Tire.....	178

Jump Starting.....	184
--------------------	-----

K

Keys.....	45
-----------	----

L

Label, Certification.....	198
Lane Change, Signaling.....	39
Lap/Shoulder Belts.....	6
Leaking of Exhaust into Car.....	26
Lighter, Cigarette.....	64
Lights	
Bulb Replacement.....	162
Indicator.....	31
Parking.....	38
Turn Signal.....	39
Loading Cargo.....	98
LOCK (Ignition Key Position).....	46
Locks	
Anti-theft Steering Column.....	46
Fuel Fill Door.....	92
Power Door.....	48
Rear Locking Compartment.....	50
Trunk.....	48

Low Coolant Level.....	133
Low Fuel Indicator	33
Lower Gear, Downshifting to a....	102
Low Oil Pressure Indicator....	32, 188
Lubricant Specifications Chart....	200
Luggage.....	98

M

Maintenance.....	117
Owner Maintenance Checks....	126
Record.....	124-125
Safety.....	118
Schedule.....	120-123
Malfunction Indicator Lamp..	33, 190
Manual Transmission.....	102
Manual Transmission Fluid	140
Maximum Shift Speeds.....	103, 107
Meters, Gauges.....	35
Methanol in Gasoline.....	91
Mirrors, Adjusting.....	60

CONTINUED

Index

N

Neutral Gear Position.....	106
New Vehicle Break-in	90
Normal Shift Speeds.....	103
NOTICE, Explanation of.....	ii
Numbers, Identification.....	198

O

Occupant Protection System.....	4
Octane Requirement, Gasoline.....	90
Odometer.....	35
Odometer, Trip.....	35
Oil	
Change, How to.....	130
Change, When to.....	122
Checking Engine.....	128
Pressure Indicator.....	32, 188
Selecting Proper Viscosity Chart.....	130
ON (Ignition Key Position).....	47
Opening the Hood	93
Opening the Trunk.....	48
Operation in Foreign Countries.....	91
Outside Mirrors.....	60

Overheating, Engine.....	186
Owner Maintenance Checks.....	126

P

Panel Brightness Control.....	39
Park Gear Position.....	105
Parking.....	109
Parking Brake.....	61
Parking Lights.....	38
Parking Over Things that Burn...	207
PGM-FI System.....	206
Polishing and Waxing.....	171
Power	
Door Locks.....	48
Mirrors.....	60
Steering.....	143
Windows.....	51
Pregnancy, Using Seat Belts.....	9
Proper Seat Belt Usage.....	7

R

Radiator Overheating.....	186
Radio/Cassette Sound System.....	76
Rear End Towing.....	196

Rear Lights, Bulb Replacement...	165
Rear Locking Compartment.....	50
Rear View Mirror.....	60
Rear Window Defogger.....	41
Reclining the Seat Backs.....	50
Recommended Shift Speeds	103
Reminder Lights.....	31
Removable Roof Panel.....	53
Installing.....	55
Maintenance.....	154
Removing and Storing.....	54
Roof Unlatched Indicator.....	59
Replacement Information	
Air Cleaner Element.....	144
Coolant.....	135
Engine Oil and Filter.....	130
Fuses.....	191
Light Bulbs.....	162
Schedule.....	120
Spark Plugs.....	146
Tires.....	159
Wiper Blades.....	151
Replacing Seat Belts After a Crash.....	9
Reserve Tank, Engine Coolant...	133
Restraint, Child.....	18

Reverse Gear Position..... 108
 Roof and Trunk Monitor..... 33
 Rotation, Tire..... 158

S

Safety Belts..... 5
 Safety Defects, Reporting*..... 213
 Safety Labels, Location of..... 27
 Safety Messages..... ii
 Seat Belts..... 5
 Advice for Pregnant Women..... 9
 Child Seat Anchor Plate..... 24
 Cleaning..... 172
 Frayed or Torn..... 9
 Maintenance..... 9
 Reminder Light and Beeper..... 32
 Replacement..... 9
 System Components..... 6
 Tether Attachment Points..... 23
 Use During Pregnancy..... 9
 Wearing a Lap/Shoulder Belt..... 7
 Seats, Adjusting the..... 50
 Serial Number..... 198
 Service Intervals..... 122
 Service Manual*..... 215

Service Station Procedures 92
 Setting the Clock..... 62
 Shifting
 The Automatic Transmission .. 104
 The 5-speed Manual
 Transmission..... 102
 Shift Lever Position Indicator..... 104
 Shift Lock Release..... 108
 Side Marker Lights, Bulb
 Replacement in..... 164
 Signaling Turns..... 39
 Snow Tires..... 161
 Solvent-type Cleaners..... 170
 Sound System..... 76
 Spare Tire
 Inflating..... 176
 Specifications..... 201
 Spark Plugs, Replacing..... 146
 Specifications Charts..... 200
 Speed Control..... 43
 Speedometer..... 35
 SRS Indicator..... 14, 33
 START (Ignition Key Position)..... 47
 Starting the Engine..... 101
 In Cold Weather at High
 Altitude..... 101

With a Dead Battery..... 184
 Steam Coming from Engine..... 186
 Steering Wheel
 Adjustment..... 42
 Anti-theft Column Lock..... 46
 Stereo Sound System..... 76
 Storing Your Car..... 168
 Sun Visor..... 64
 Supplemental Restraint System
 Service Precautions..... 15
 Servicing..... 14
 SRS Indicator..... 14, 33
 System Components..... 10
 Synthetic Oil..... 130

T

Tachometer..... 35
 Taillights, Changing Bulbs in..... 165
 Taking Care of the
 Unexpected..... 175
 Tape Player..... 81

CONTINUED

Index

Technical Descriptions			
Emission Control Systems.....	205		
Three Way Catalytic Converter.....	207		
Tire Information.....	202		
Temperature Gauge.....	36		
Tether Attachment Points.....	23		
Theft Protection.....	88		
Three Way Catalytic Converter...	207		
Time, Setting the.....	62		
Tire Chains.....	161		
Tire, How to Change a Flat.....	177		
Tires.....	155		
Air Pressure.....	156		
Checking Wear.....	157		
Compact Spare.....	176		
DOT Tire Quality Grading.....	203		
Inflation.....	156		
Inspection.....	157		
Maintenance.....	158		
Replacing.....	159		
Rotating.....	158		
Snow.....	161		
Specifications.....	201		
Wheels and Tires.....	160		
Winter Driving.....	160		
Tools, Tire Changing.....	178		
Torn Seat Belts	9		
Towing			
A Trailer.....	116		
Emergency Wrecker.....	196		
Transmission			
Checking Fluid Level, Automatic.....	139		
Checking Fluid Level, Manual.....	140		
Fluid Selection.....	139		
Identification Number.....	198		
Shifting the Automatic.....	104		
Shifting the Manual.....	102		
Treadwear.....	157		
Trip Meter.....	35		
Trunk			
Opening the.....	48		
Open Monitor.....	33		
Turn Signals.....	39		
<hr/> U <hr/>			
Underside, Cleaning.....	173		
Unexpected, Taking Care of the.....	175		
Uniform Tire Quality Grading....	203		
Unleaded Gasoline.....	90		
Upholstery Cleaning.....	172		
Used Oil, How to Dispose of.....	132		
<hr/> V <hr/>			
Vehicle Capacity Load	98		
Vehicle Dimensions.....	200		
Vehicle Identification Number.....	198		
Vehicle Storage.....	168		
Ventilation.....	71		
VIN.....	198		
Vinyl Cleaning.....	172		
Viscosity, Oil.....	130		
<hr/> W <hr/>			
Warning BEEPERS			
Headlights on.....	38		
Key in Ignition.....	47		
Seat Belts.....	32		
WARNING, Explanation of.....	ii		
Warning Labels, Location of.....	27		
Warranty Coverages*	214		

Washer, Windshield
 Checking the Fluid Level..... 138
 Operation..... 40
Washing..... 170
Waxing and Polishing..... 171
Wheels
 Adjusting the Steering..... 42
 Alignment and Balance..... 158
 Compact Spare..... 176
 Wrench..... 178
Windows
 Cleaning..... 173
 Operating the Power..... 51
 Rear, Defogger..... 41
Windshield
 Cleaning..... 40
 Defroster..... 73
Wipers, Windshield
 Changing Blades..... 151
 Operation..... 40
Worn Tires..... 157
Wrecker, Emergency Towing..... 196

* : U.S. and Canada only

Gas Station Information

Gasoline:

(S, Si)

UNLEADED gasoline

Pump octane number of 86 or higher

(VTEC)

Premium UNLEADED

Pump octane number of 91 or higher

Fuel Tank Capacity:

11.9 US gal (45 l, 9.9 Imp gal)

Recommended Engine Oil:

API SH grade

"Energy Conserving II" oil

SAE 5W-30 viscosity

Tire Pressure (measured cold):

(S)

Front/Rear:

32 psi (220 kPa, 2.2 kgf/cm²)

(Si, VTEC)

Front/Rear:

29 psi (200 kPa, 2.0 kgf/cm²)

Spare Tire Pressure:

60 psi (420 kPa, 4.2 kgf/cm²)

Automatic Transmission Fluid:

Honda Premium Formula Automatic Transmission Fluid (ATF)