

HONDA**INSTALLATION
INSTRUCTIONS**

Accessory

FULL NOSE MASK

Application

'93 CIVIC DEL SOL

Publications No.

All15320

Issue Date

JULY 1992

PARTS LIST

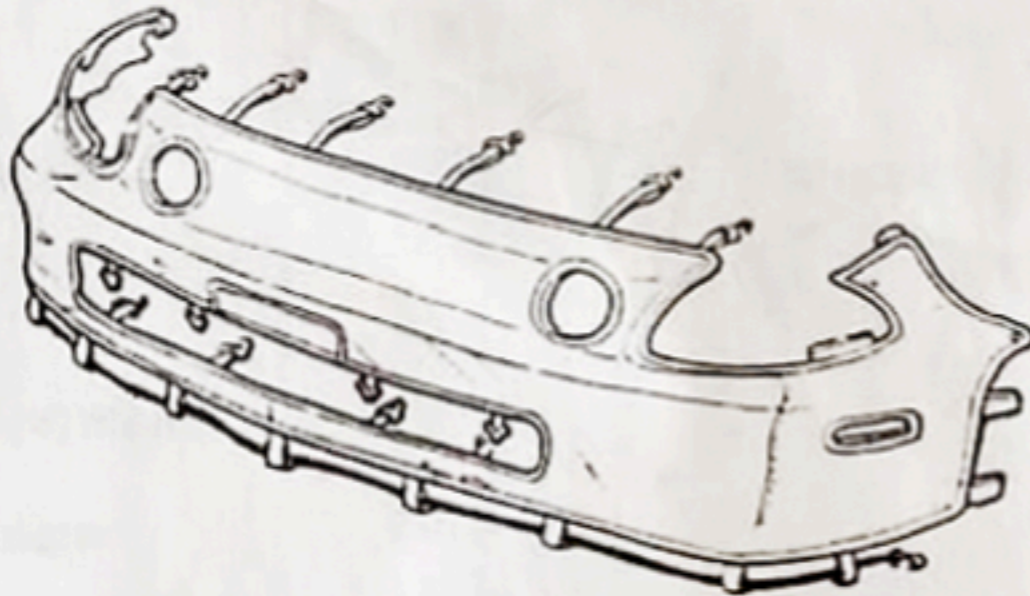
4 Plastic strips



Mask (hood section)



Mask (bumper section)



2 Snap-screws



2 Washers



2 Fender well nuts



Storage bag

**TOOLS REQUIRED**

- Stubby #2 Phillips® screwdriver
- Utility knife

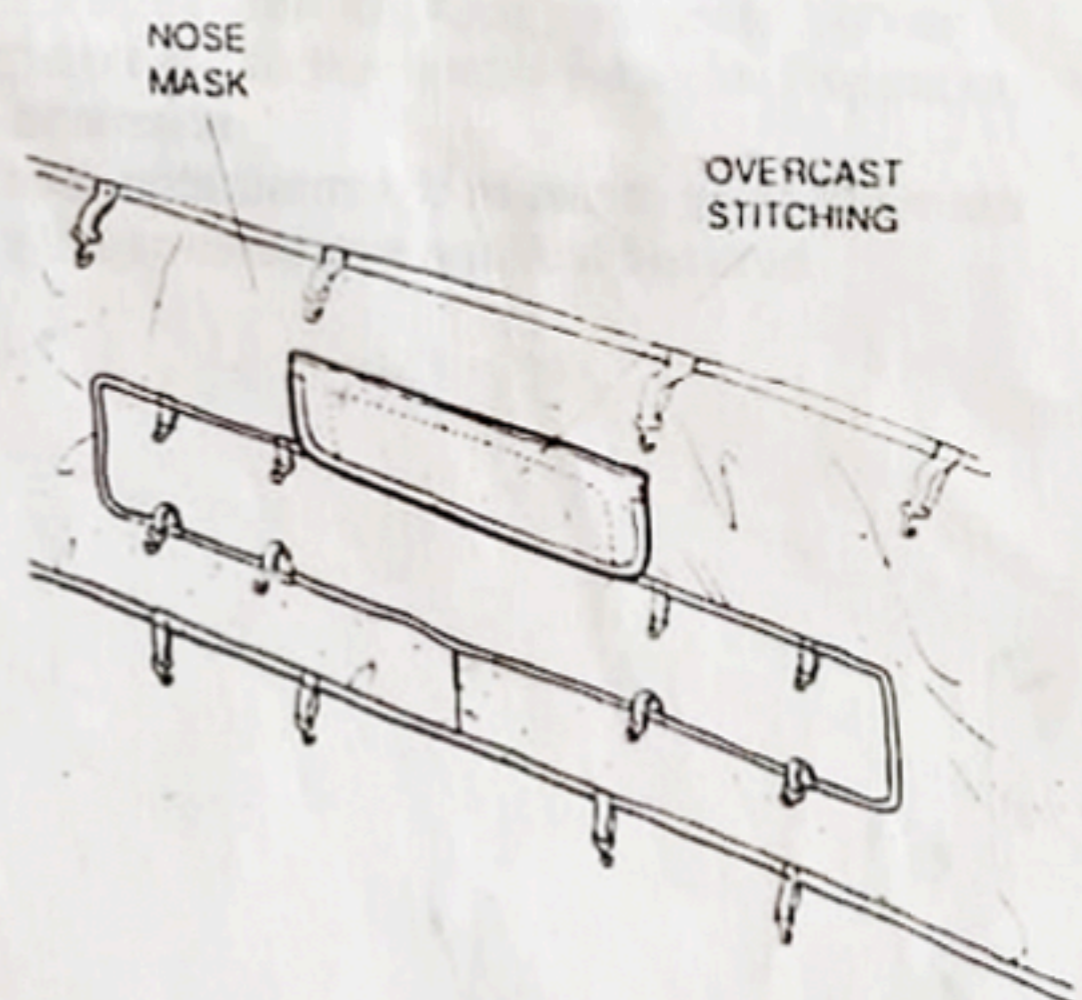
INSTALLATION**NOTICE**

To avoid damaging the mask or the car's paint:

- Be sure the car and the nose mask are clean and completely dry before installation. If moisture is present under the mask and allowed to dry, it may cloud the paint. If the mask gets wet, remove it and allow it to air-dry completely.
- Be sure any repainted surfaces are cured.
- Be sure the hood and nose of the car have been waxed with a high quality paste wax.
- Be sure to install the nose mask securely. If the mask starts to flap or comes loose while driving, pull off the highway, stop the car, then secure or remove the mask.

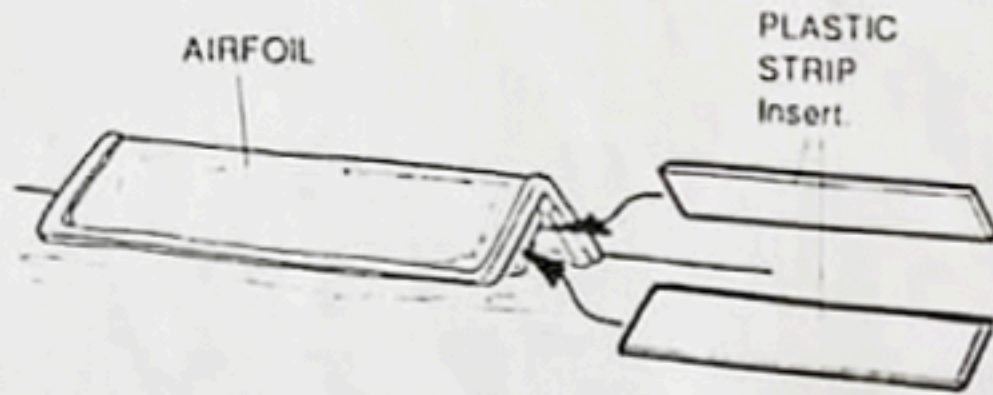
If your state law requires the display of both license plates, cut out the piece covering the front license plate:

- Face the inside of the mask toward you.
- Remove the overcast stitching.
- Carefully cut out the license plate section.

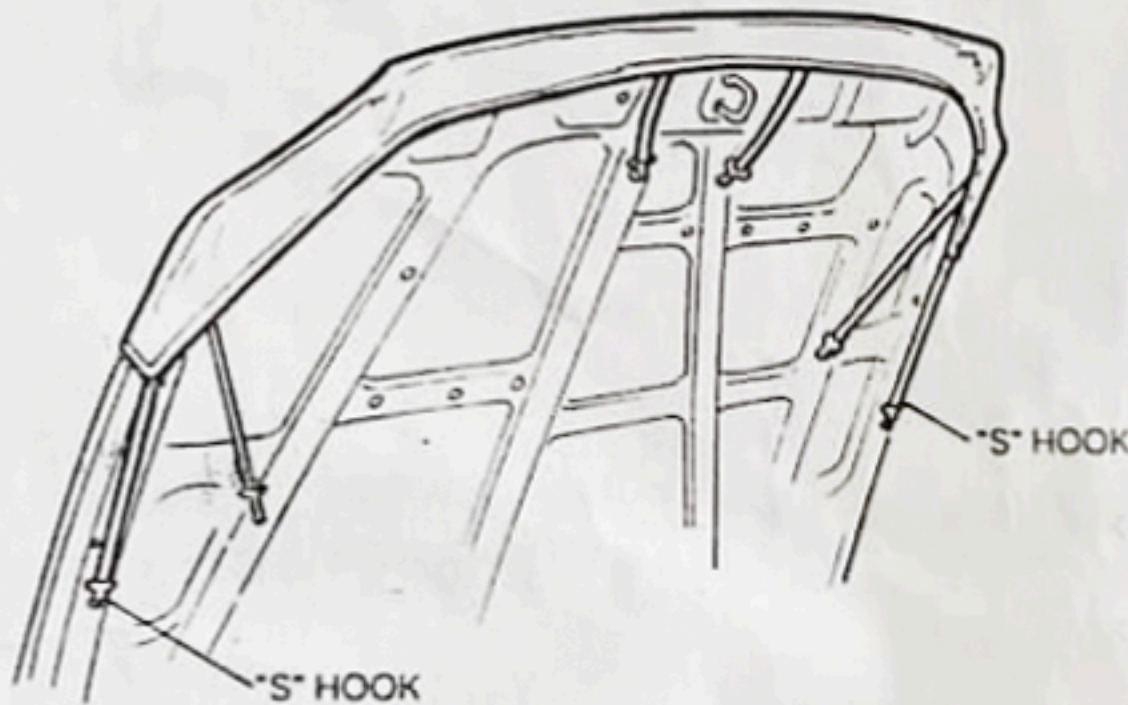


Hood Section

1. Insert the plastic strips (included in the kit) into the pockets of each airfoil as shown.



2. Open the hood. Fit the corners of the mask around the hood; adjust it so that it fits smoothly over the edges. Attach the "S" hooks to the hood as shown.

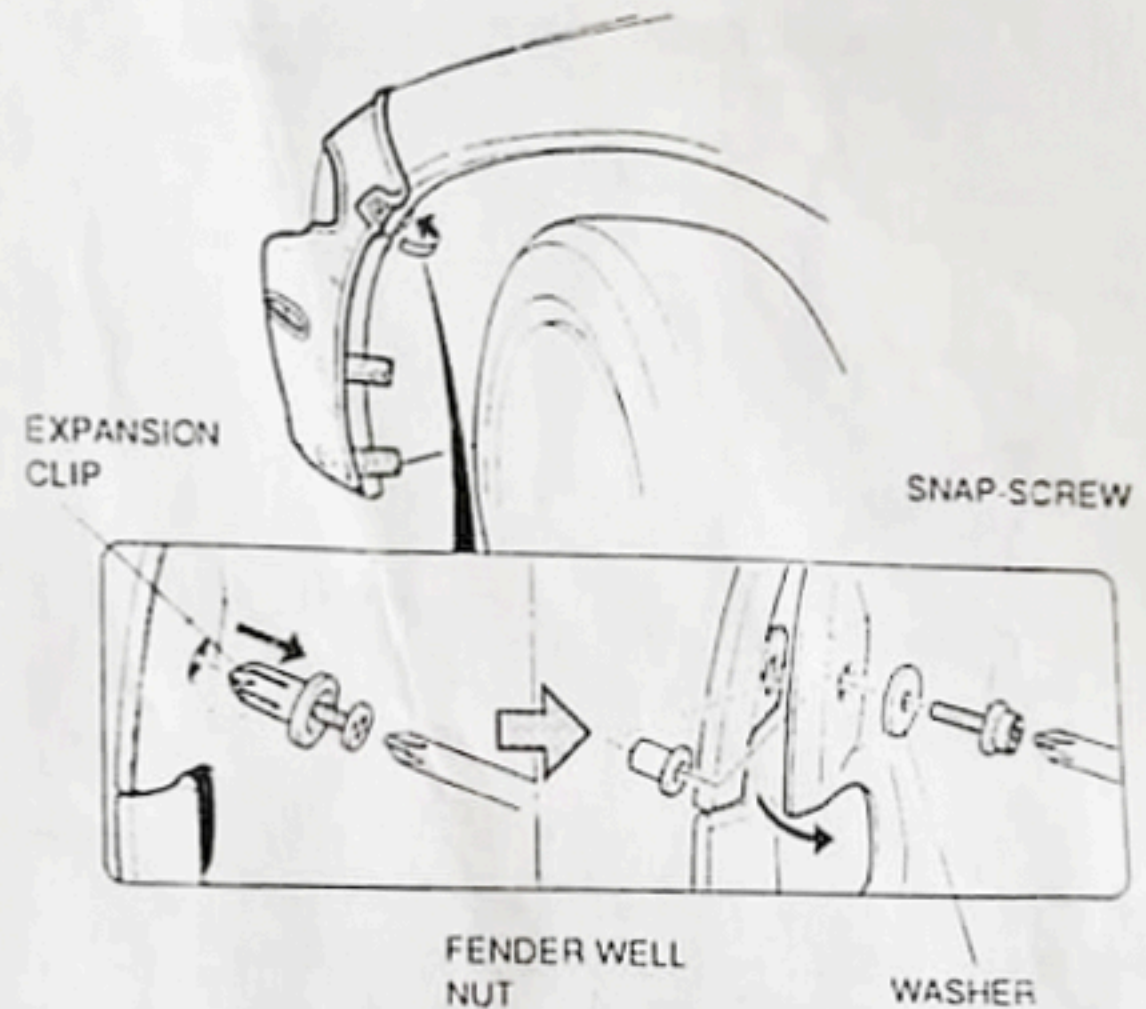


Bumper Section

3. Slip the pocket of the mask's bumper section onto the front corner of the fender, then attach the plastic hook to the top inside edge of the fender. Fit the mask across the bumper and attach it to the other side in the same way.

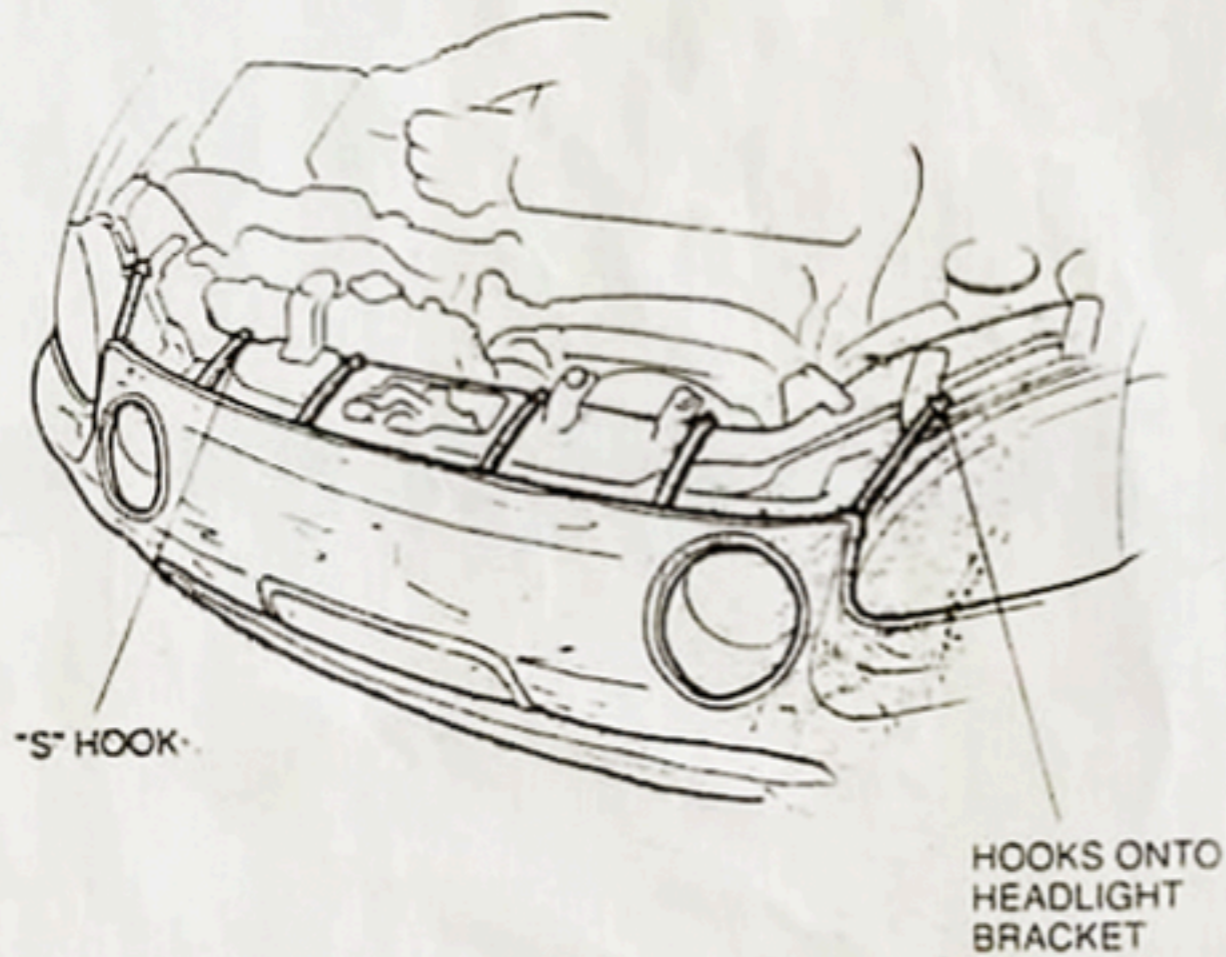


4. Insert the corner tabs between the bumper and the headlight on both sides.
5. For best access, turn the wheels toward the side you're not working on. Unscrew the plastic screw and pry out the expansion clip that fastens the inner fender to the fender. Clean the area around the hole. (Do not discard the clip and screw, they can be reinstalled if the mask is removed.)

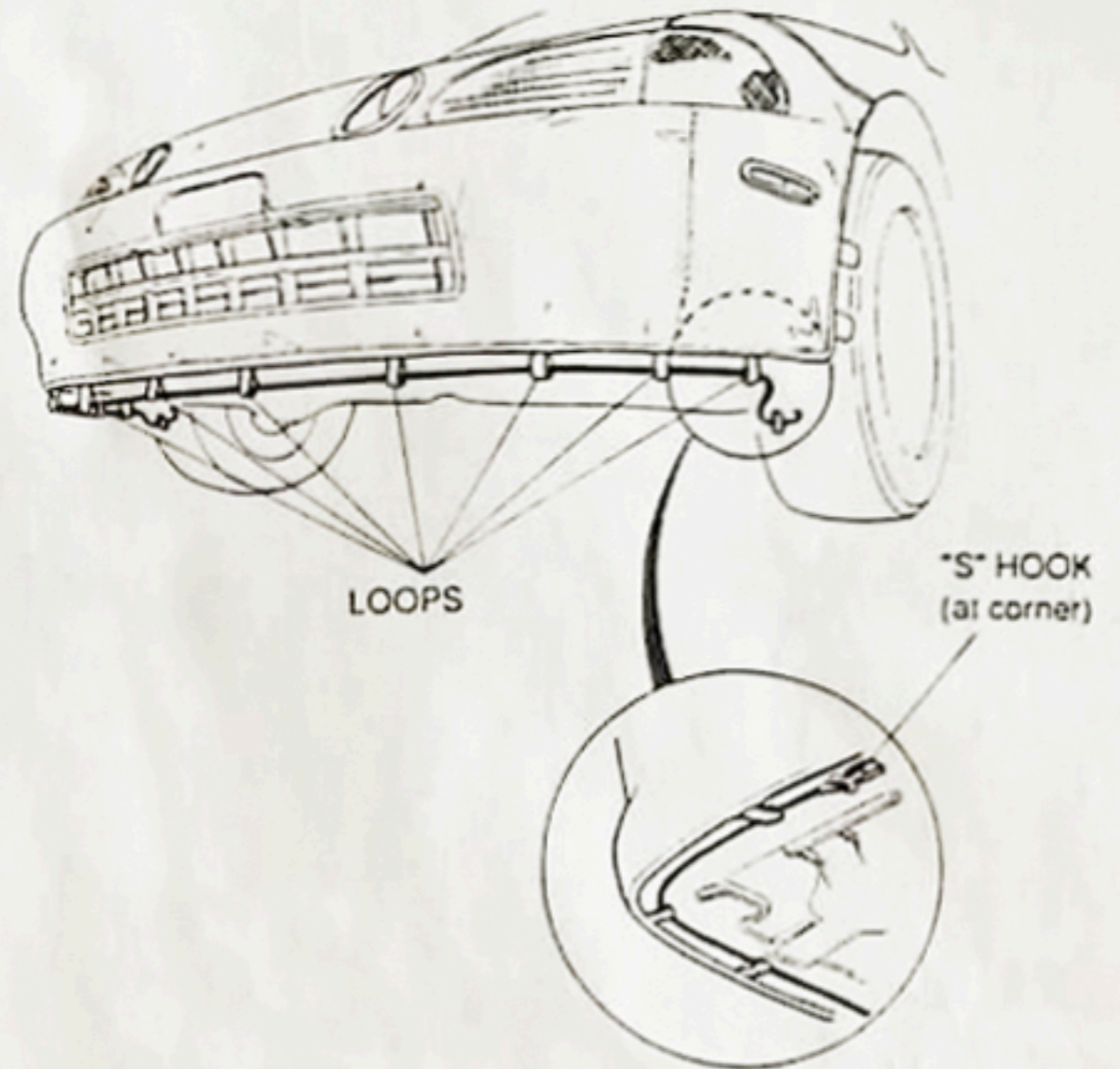


6. Pull the inner fender away and press a fender well nut (supplied) into the hole in the fender flange.
7. With its washer in place, securely tighten a snap-screw into the fender well nut. Repeat on the other side.
8. To help hold the mask in place, snap the mask onto the snap-screws you just installed.

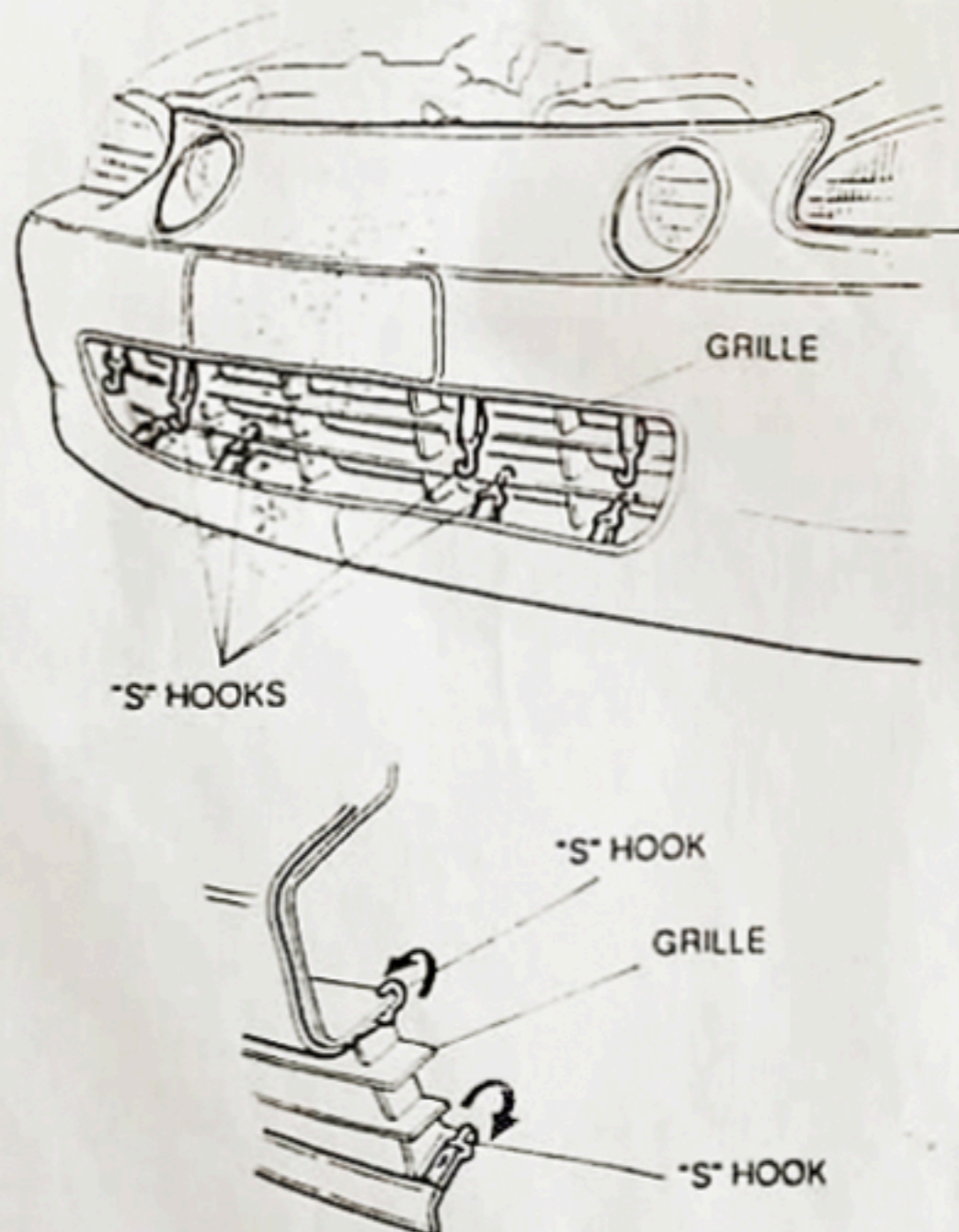
9. Attach the "S" hooks to the holes in the front bulkhead, then attach the plastic hook to the upper edge of the bumper. (The end hooks attach to the headlight bracket.)



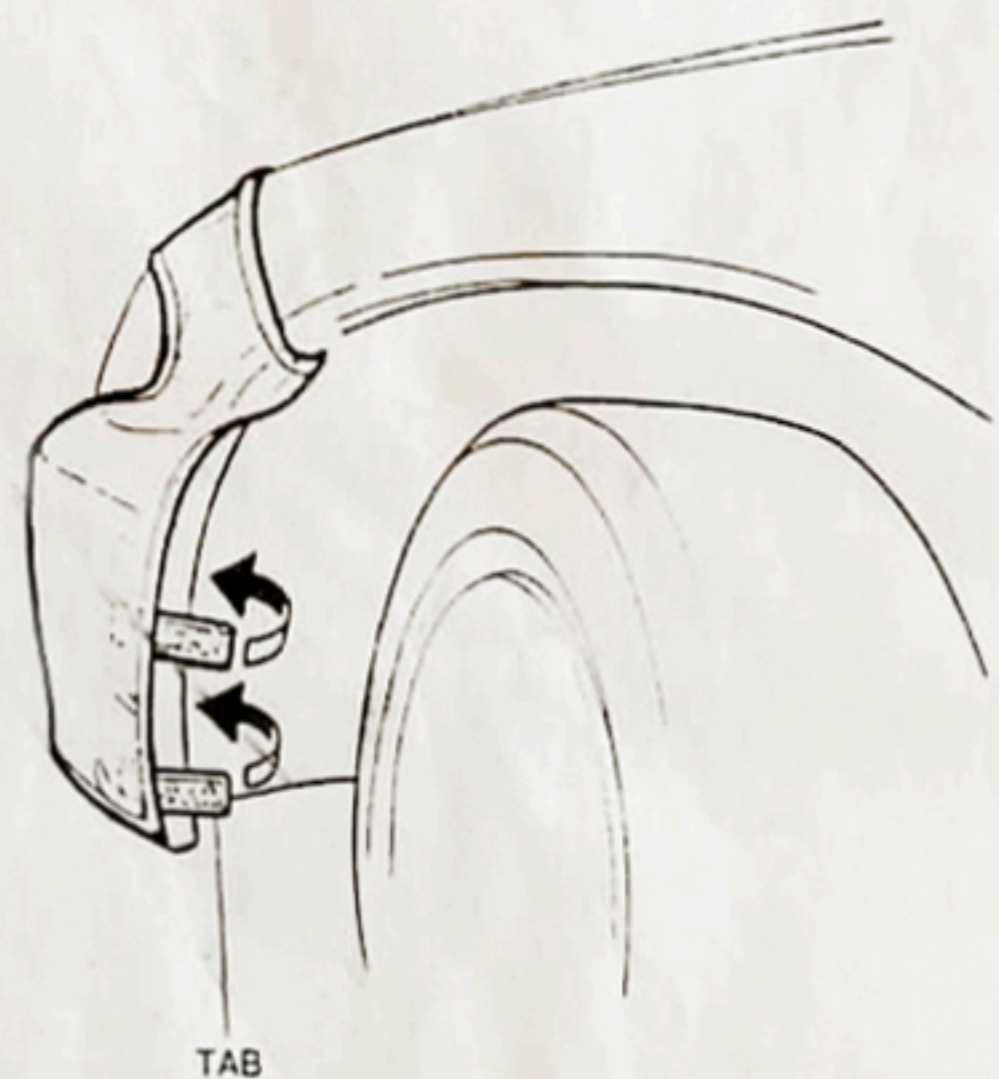
11. Fit the elastic strap through the loops and hook the "S" hook to the hole in the bumper as shown.



10. Attach the "S" hooks to the top and bottom edges of the grille.



12. Pull the mask back toward the wheel well, smooth out any wrinkles, then bend the side tabs around the edge of the fender.



CLEANING THE NOSE MASK

Use a sponge or cloth and a solution of mild dishwashing liquid soap and water to clean the vinyl and the flannel backing. Rinse completely with water and hang dry, out of direct sunlight. The mask must be completely dry before you reinstall it.