

**INSTALLATION
INSTRUCTIONS**

Accessory

REAR SPLASH GUARDS

Application

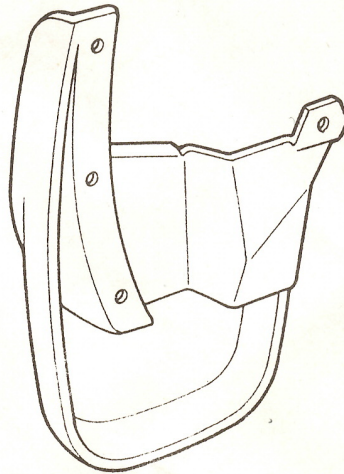
'94 Civic Del Sol

Publications No.

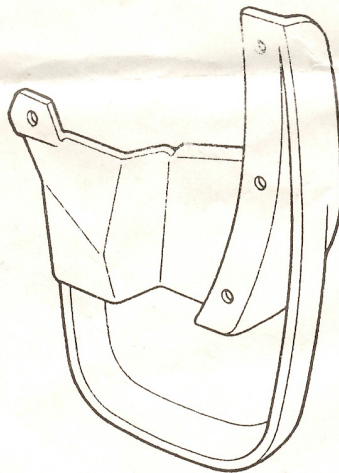
Issue Date

JULY 1993**PARTS LIST**

Right splash guard



Left splash guard



6 Spring nuts



2 Grommets



8 Self-tapping screws

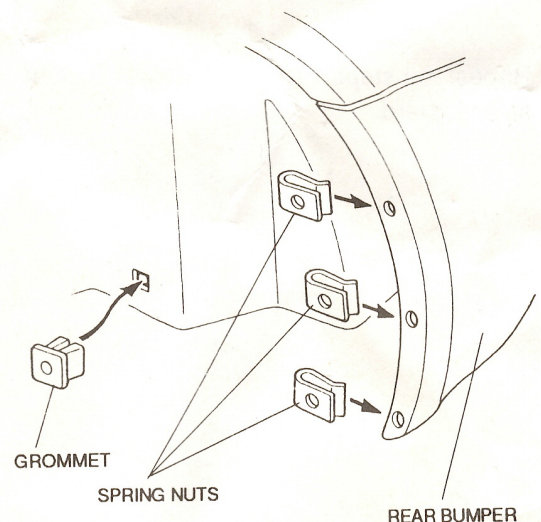
**TOOL REQUIRED**

- Stubby Phillips® screwdriver
- Safety stand

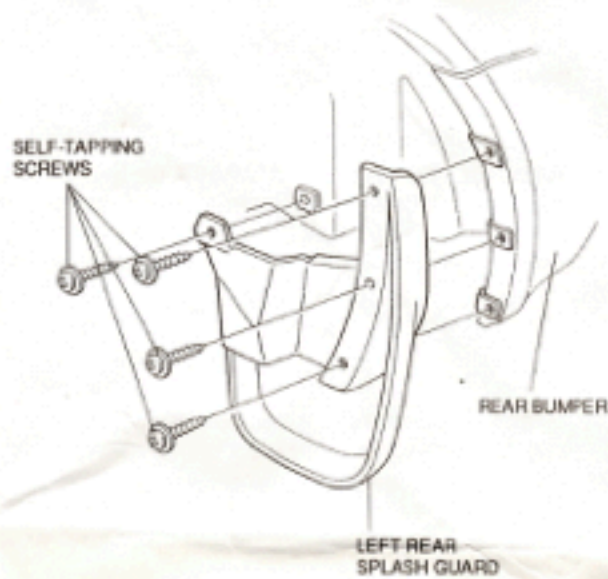
INSTALLATION

- The area to be covered should be clean and has been waxed with high quality paste wax.
- Be extremely careful not to damage the rear bumper and other finished surfaces of the body.
- When jacking up the rear wheels off the ground, be sure to observe the instructions described in the owner's manual.
- These instructions are for the left rear splash guard. The same procedure applies to the right rear splash guard.

1. Raise the left rear wheel off the ground and support the weight of the car with a safety stand.
2. Slide the three spring nuts over the dimpled areas of the rear bumper. Press the new plastic grommet into the square hole in the fender well.



3. Position the splash guard on the fender and rear bumper and install the four self-tapping screws from the kit.



4. Repeat the steps 1 thru 3 to install the right rear splash guard.